



PODRĘCZNIK TECHNICZNY

ROLETY EKRANOWE



Spis treści– Rolety ekranowe

Oznaczenie wyrobu CE	3	SCREEN ZIP	120
		Podstawowa specyfikacja produktu	121
SCREEN ALFA-ZIP	6	Wymierzenie i montaż	126
Podstawowa specyfikacja produktu	7		
Obsługa korbka	10	SCREEN ZIP ECONOMY	133
Obsługa silnik	11	Podstawowa specyfikacja produktu	134
Wymierzenie i montaż	24	Wymierzenie i montaż	138
SCREEN ALFA-ZIP SOLAR	37	SCREEN GW	141
		Podstawowa specyfikacja produktu	142
SCREEN ALFA PLUS-ZIP	39	Wymierzenie i montaż	145
Podstawowa specyfikacja produktu	40		
Obsługa silnik	43	SCREEN LITE	152
Wymierzenie i montaż	51	Podstawowa specyfikacja produktu	153
		Wymierzenie i montaż	156
SCREEN HR7	67	SCREEN ZIP, ZIP ECONOMY, GW, LITE	160
Podstawowa specyfikacja produktu	68	Obsługa korbka	160
Wymierzenie i montaż	78	Obsługa silnik	162
SCREEN HR8-ZIP	82		
Podstawowa specyfikacja produktu	83	SCREEN SKY	163
		Podstawowa specyfikacja produktu	164
SCREEN HR7, HR8-ZIP	87	Wymierzenie i montaż	166
Obsługa korbka	87		
Obsługa silnik	88		
Montaż	100		
Zasilanie solarne HR8-ZIP	105		
SCREEN HR10-ZIP	107		
Podstawowa specyfikacja produktu	108		
Wymierzenie i montaż	115		


Produkty z tej grupy asortymentowej mierzone są zawsze od wewnątrz.

Ze względu na ciągły rozwój naszych produktów zastrzegamy sobie prawo do nieznacznych odstępstw od ilustracji.

ISOTRA *Quality*

Marka symbolizująca wieloletnie tradycje, niezliczone inwestycje do własnego rozwoju, stosowanie wysokiej jakości materiałów, zaawansowanie technologiczne, niezawodną pracę setek pracowników, i wiele innych parametrów, które tworzą jedną całość – finalny wyrób spółki ISOTRA.

Oznaczenie wyrobu CE

ISOTRA 

DECLARATION OF PERFORMANCE

No. 001/2013

Producer: **ISOTRA a.s., Bílovecká 2411/1, 746 01 Opava, IČ: 47679191**

Hereby declares that:

Type: **SCREEN – outside curtains (outside roller blind) with motor driving**

Model: **ZIP**

Has been designed and manufactured in conformity with Regulation (EU) No 305/2011 of the European Parliament and of the Council (CPR).

Product description and designed use:

Screen ZIP is a product of interior and exterior shading technique, which has vertically mounted tube with winding fabrics. Screen ZIP is operated with motor. Control may be to the left or right side of the roller. The engine upper and lower roller position is determined electronically within the engine.

SCREEN ZIP is unique screen system. Thanks to the special guidance of the fabric in the side rails SCREEN ZIP substantially increases resistance to wind shutters in the closed position partially replaces anti-insect screen.

The product is used for shading according to the type of fabric up to 100%, to protect against glare (the sun, streetlights, car), to adjust the intensity of light passing through from the exterior to protect privacy (before observing from the outside) and complete blackout.

The product is designed for installation into the jamb. The blind is mounted with the help of screws with anchors on the wall before opening the window or the window frame.

Evaluation system: 4

Product evaluation according system 4 was performed by:

Product evaluation was made by component supplier: RESTENDE S.r.l, Via Chiringella, 74 – 20864 Agrate Brianza (MB), Italy

Declared performance:


Essential characteristics	Performance	Harmonized standard
Wind resistance	3	EN 13561:2009

The performance of ZIP is in conformity with the performance declared in declared performance.


ZIP does not contain substances which are within the meaning of Article 33 of the European Parliament and Council Regulation (EC) No 1907/2006 (REACH) subject to the obligation to inform the customer.

This declaration has been issued under the sole responsibility of the manufacturer.

Opava: 01. 07. 2013


Ing. Bohumír Blachut
General manager

ISOTRA a.s., Bílovecká 2411/1, 746 01 Opava
tel.: +420 553 885 111, fax: +420 553 885 110

ISOTRA 

DECLARATION OF PERFORMANCE

No. 002/2013

Producer: **ISOTRA a.s., Bílovecká 2411/1, 746 01 Opava, IČ: 47679191**

Hereby declares that:

Type: **SCREEN – outside curtains (outside roller blind) with motor driving**

Model: **GW**

Has been designed and manufactured in conformity with Regulation (EU) No 305/2011 of the European Parliament and of the Council (CPR).

Product description and designed use:

Screen GW is a product of interior and exterior shading technique, which has vertically mounted tube with winding fabrics. Screen GW is operated with motor or manually. Control may be to the left or right side of the roller. The engine upper and lower roller position is determined electronically within the engine.

SCREEN GW is a modern element of shading. The product is suitable for shading both interior and exterior and is suitable for both office buildings and houses. SCREEN GW is offered with a cover profile with the possibility to operate by the side cable or guide rail.

The product is used for shading according to the type of fabric up to 100%, to protect against glare (the sun, streetlights, car), to adjust the intensity of light passing through from the exterior to protect privacy (before observing from the outside) and for complete blackout.

The product is designed for installation into the jamb. The blind is mounted with the help of screws with anchors on the wall before opening the window or the window frame.

Evaluation system: 4

Product evaluation according system 4 was performed by:

Product evaluation was made by component supplier: RESTENDE S.r.l, Via Chiringella, 74 – 20864 Agrate Brianza (MB), Italy

Declared performance:


Essential characteristics	Performance	Harmonized standard
Wind resistance	3	EN 13561:2009

The performance of SCREEN GW is in conformity with the performance declared in declared performance.


SCREEN GW does not contain substances which are within the meaning of Article 33 of the European Parliament and Council Regulation (EC) No 1907/2006 (REACH) subject to the obligation to inform the customer.

This declaration has been issued under the sole responsibility of the manufacturer.

Opava: 01. 07. 2013


Ing. Bohumír Blachut
General manager

ISOTRA a.s., Bílovecká 2411/1, 746 01 Opava
tel.: +420 553 885 111, fax: +420 553 885 110

ISOTRA 

DECLARATION OF PERFORMANCE

No. 003/2013

Producer: **ISOTRA a.s., Bílovecká 2411/1, 746 01 Opava, IČ: 47679191**

Hereby declares that:

Type: **SCREEN – outside curtains (outside roller blind) with motor driving**

Model: **LITE**

Has been designed and manufactured in conformity with Regulation (EU) No 305/2011 of the European Parliament and of the Council (CPR).

Product description and designed use:

Screen LITE is a product of interior and exterior shading technique, which has vertically mounted tube with winding fabrics. Screen LITE is operated with motor or manually. Control may be to the left or right side of the roller. The engine upper and lower roller position is determined electronically within the engine.

SCREEN LITE is a lightweight variant of SCREEN GW. SCREEN LITE is offered with a cover profile with the possibility to operate by the side cable or guide rail.

The product is used for shading according to the type of fabric up to 100%, to protect against glare (the sun, streetlights, car), to adjust the intensity of light passing through from the exterior to protect privacy (before observing from the outside) and for complete blackout.

The product is designed for installation into the jamb. The blind is mounted with help of screws with anchors on the wall before opening the window or the window frame.

Evaluation system: 4

Product evaluation according system 4 was performed by:

Product evaluation was made by component supplier: RESTENDE S.r.l, Via Chiringella, 74 – 20864 Agrate Brianza (MB), Italy

Declared performance:


Essential characteristics	Performance	Harmonized standard
Wind resistance	3	EN 13561:2009

The performance of SCREEN LITE is in conformity with the performance declared in declared performance.


SCREEN LITE does not contain substances which are within the meaning of Article 33 of the European Parliament and Council Regulation (EC) No 1907/2006 (REACH) subject to the obligation to inform the customer.

This declaration has been issued under the sole responsibility of the manufacturer.

Opava: 01. 07. 2013


Ing. Bohumír Blachut
General manager

ISOTRA a.s., Bílovecká 2411/1, 746 01 Opava
tel.: +420 553 885 111, fax: +420 553 885 110

ISOTRA 

DECLARATION OF PERFORMANCE

No. 035/2013

Producer: **ISOTRA a.s., Bílovecká 2411/1, 746 01 Opava, IČ: 47679191**

Hereby declares that:

Type: **SCREEN – outside curtains (outside roller blind) with motor driving**

Model: **ZIP ECONOMY**

Has been designed and manufactured in conformity with Regulation (EU) No 305/2011 of the European Parliament and of the Council (CPR).

Product description and designed use:

Screen ZIP ECONOMY is a product of interior and exterior shading technique, which has vertically mounted tube with winding fabrics. Launch and recovery controls the motor. Control may be to the left or right side of the roller. The engine upper and lower roller position is determined electronically within the engine.

SCREEN ZIP ECONOMY is unique screen system. Thanks to the special guidance of the fabric in the side rails SCREEN ZIP ECONOMY substantially increases resistance to wind shutters in the closed position partially replaces anti-insect screen.

The product is used for shading according to the type of fabric up to 100%, to protect against glare (the sun, streetlights, car), to adjust the intensity of light passing through from the exterior to protect privacy (before observing from the outside) and complete blackout.

The blind is mounted screws with anchors on the wall before opening the window or the window frame only with the front mounting of the guide rail.

Evaluation system: 4

Product evaluation according system 4 was performed by:

Product evaluation made by: CSI, a.s. Praha, pracoviště Zlín, K Cibulné 304, 764 32 Zlín – Louky a vydal hodnocení HSZ-13-014/OV.

Declared performance:


Essential characteristics	Performance	Harmonized standard
Wind resistance	3	EN 13561:2009

The performance of ZIP ECONOMY is in conformity with the performance declared in declared performance.

ZIP ECONOMY does not contain substances which are within the meaning of Article 33 of the European Parliament and Council Regulation (EC) No 1907/2006 (REACH) subject to the obligation to inform the customer.

This declaration has been issued under the sole responsibility of the manufacturer.

Opava: 01. 09. 2014


Ing. Bohumír Blachut
General Manager

ISOTRA a.s., Bílovecká 2411/1, 746 01 Opava
tel.: +420 553 885 111, fax: +420 553 885 110




DECLARATION OF PERFORMANCE

No. 030/2017

Producer: **ISOTRA a.s., Bilovecká 2411/1, 746 01 Opava, IČ: 47679191**

Hereby declares that:

Type: **SCREEN – outside curtains (outside roller blind) with motor driving**

Model: **HR7**

Has been designed and manufactured in conformity with Regulation (EU) No 305/2011 of the European Parliament and of the Council (CPR).

Product description and designed use:
The product is used for shading according to the type of fabric up to 100%.

Evaluation system: 4
 Harmonized standard:
EN 13561:2015

Declared performance:

Essential characteristics	Performance
Wind resistance	Class 2
Thermal transmittance value g_{gl}	0,03 - 0,6 (according to selected fabric)*

*valid for glazing with parameters $g = 0,59$ and $U_g = 1,2$ W/m²K

The performance of HR7 is in conformity with the performance declared in declared performance.
 This declaration has been issued under the sole responsibility of the manufacturer ISOTRA a.s., Bilovecká 2411/1, 746 01 Opava.

Opava, 01. 02. 2017





ISOTRA a.s., Bilovecká 2411/1, 746 01 Opava - www.isotra.cz
 Tel: +420 553 605 102 - 6 476 79 191

Ing. Petr Sedláček
Quality manager

ISOTRA a.s., Bilovecká 2411/1, 746 01 Opava, IČ: 47679191
 W: +420 553 605 111, fax: +420 553 605 110

zpracováno v elektronickém systému Certifikace výrobků, verze 2.0/02
 © ISOTRA s.r.o. 2017

DECLARATION OF PERFORMANCE

No. 031/2017

Producer: **ISOTRA a.s., Bilovecká 2411/1, 746 01 Opava, IČ: 47679191**

Hereby declares that:

Type: **SCREEN – outside curtains (outside roller blind) with motor driving**

Model: **HRS-ZIP**

Has been designed and manufactured in conformity with Regulation (EU) No 305/2011 of the European Parliament and of the Council (CPR).

Product description and designed use:
The product is used for shading according to the type of fabric up to 100%.

Evaluation system: 4
 Harmonized standard:
EN 13561:2015


Declared performance:

Essential characteristics	Performance
Wind resistance	Class 3
Thermal transmittance value g_{gl}	0,03 - 0,6 (according to selected fabric)*

*valid for glazing with parameters $g = 0,59$ and $U_g = 1,2$ W/m²K

The performance of HRS-ZIP is in conformity with the performance declared in declared performance.
 This declaration has been issued under the sole responsibility of the manufacturer ISOTRA a.s., Bilovecká 2411/1, 746 01 Opava.

Opava, 01. 02. 2017



ISOTRA a.s., Bilovecká 2411/1, 746 01 Opava - www.isotra.cz
 Tel: +420 553 605 102 - 6 476 79 191

Ing. Petr Sedláček
Quality manager

ISOTRA a.s., Bilovecká 2411/1, 746 01 Opava, IČ: 47679191
 W: +420 553 605 111, fax: +420 553 605 110

zpracováno v elektronickém systému Certifikace výrobků, verze 2.0/02
 © ISOTRA s.r.o. 2017




DECLARATION OF PERFORMANCE

č. 050/2020

Producer: **ISOTRA a.s., Bilovecká 2411/1, 746 01 Opava, IČ: 47679191**

Hereby declares that:

Type: **SCREEN – outside curtains (outside roller blind) with motor driving**

Model: **SCREEN ALFA-ZIP**

Has been designed and manufactured in conformity with Regulation (EU) No 305/2011 of the European Parliament and of the Council (CPR).

Product description and designed use:
The product is used for shading according to the type of fabric up to 100%.

Evaluation system: 4
 Harmonized standard:
EN 13561:2015

Declared performance:

Essential characteristics	Performance
Wind resistance	Class 6
Thermal transmittance value g_{gl}	0,03 - 0,6 (according to selected fabric)*

*valid for glazing with parameters $g = 0,59$ and $U_g = 1,2$ W/m²K

The performance of SCREEN ALFA-ZIP is in conformity with the performance declared in declared performance.
 This declaration has been issued under the sole responsibility of the manufacturer ISOTRA a.s., Bilovecká 2411/1, 746 01 Opava.

Opava, 1. 07. 2020





ISOTRA a.s., Bilovecká 2411/1, 746 01 Opava - www.isotra.cz
 Tel: +420 553 605 102 - 6 476 79 191

Ing. Petr Sedláček
Quality manager

ISOTRA a.s., Bilovecká 2411/1, 746 01 Opava, IČ: 47679191
 W: +420 553 605 111, fax: +420 553 605 110

zpracováno v elektronickém systému Certifikace výrobků, verze 2.0/02
 © ISOTRA s.r.o. 2017

Declaration of Performance

No. 051/2020

Manufacturer: **ISOTRA a. s., Bilovecká 2411/1, CZ-74601 Opava, CZ, ID No.: 47679191**

hereby declares that

type: **SCREEN**

product: **SCREEN ALFA PLUS-ZIP**

was designed and manufactured in accordance with Regulation (EU) No. 305/2011 of the European Parliament and of the Council (CPR).

Intended use:
External sun screen.

System of assessment and verification of constancy of performance:
System 4

Harmonised standard:
EN 13659:2015

Characteristics declared:

Basic characteristics	Characteristic
Wind resistance	Class 6
Total solar transmittance factor g_{gl}	0,03-0,6 (depends on the fabric selected)*

*Applies to glazing with the following parameters: $g = 0,59$, $U_g = 1,2$ W/m²K

The properties of the products SCREEN ALFA PLUS-ZIP conform to the properties specified in the above table Characteristics declared.
 This Declaration of Performance has been issued under the sole responsibility of ISOTRA a. s., Bilovecká 2411/1, CZ-74601 Opava, Czech Republic.

Opava, 01.04.2021

Ing. Petr Sedláček
Quality Manager

ISOTRA a.s., Bilovecká 2411/1, 746 01 Opava, IČ: 47679191
 W: +420 553 605 111, fax: +420 553 605 110

zpracováno v elektronickém systému Certifikace výrobků, verze 2.0/02
 © ISOTRA s.r.o. 2017

ISOTRA CE

DECLARATION OF PERFORMANCE
č. 034/2017

Producer: **ISOTRA a.s., Bilovecká 2411/1, 746 01 Opava, IČ: 47679191**

Hereby declares that:

Type: **SCREEN – outside curtains (outside roller blind) with motor driving**

Model: **HR10-ZIP**

Has been designed and manufactured in conformity with Regulation (EU) No 305/2011 of the European Parliament and of the Council (CPR).

Product description and designed use:
The product is used for shading according to the type of fabric up to 100%.

Evaluation system: 4
Harmonized standard:
EN 13561:2015

Declared performance:

Essential characteristics	Performance
Wind resistance	Class 3
Thermal transmittance value g_{gl}	0,03 - 0,6 (according to selected fabric)*

*valid for glazing with parameters $g = 0,39$ and $U_g = 1,2$ W/m²K

The performance of HR10-ZIP is in conformity with the performance declared in declared performance.
This declaration has been issued under the sole responsibility of the manufacturer ISOTRA a.s., Bilovecká 2411/1, 746 01 Opava.

Opava, 1. 02. 2018

ISOTRA
ISOTRA a.s., Bilovecká 2411/1
746 01 Opava - www.isotra.cz
tel: +420 585 585 102 fax: +420 585 585 191
Ing. Petr Sedláček
Quality manager

ISOTRA a.s., Bilovecká 2411/1, 746 01 Opava
tel: +420 585 585 102 fax: +420 585 585 191
IČ: 47679191
zapsaná v obchodním rejstříku, územní oddělení Opava, oddělení Sídlo, číslo 15183
CZ - IČ: 47679191

ISOTRA CE

Declaration of Properties
No. 036/2017

Manufacturer: **ISOTRA a. s., Bilovecká 2411/1, 746 01 Opava, ID No.: 47679191**

hereby declares that:

type: **SCREEN – exterior motor-driven shade (exterior roller blind)**

product: **SCREEN SKY**

was designed and manufactured in accordance with Regulation (EU) No 305/2011 of the European Parliament and of the Council (CPR).

Product description and designed use:
The product is used for shading according to the type of fabric up to 100%.

Evaluation system: 4
Harmonized standard:
EN 13561:2015

Declared performance:

Essential characteristics	Performance
Wind resistance	Class 2
Thermal transmittance value g_{gl}	0,03 - 0,6 (according to selected fabric)*

*valid for glazing with parameters $g = 0,39$ and $U_g = 1,2$ W/m²K

The performance of SCREEN SKY is in conformity with the performance declared in declared performance.
This declaration has been issued under the sole responsibility of the manufacturer ISOTRA a.s., Bilovecká 2411/1, 746 01 Opava.

Opava, 01. 02. 2017

ISOTRA
ISOTRA a.s., Bilovecká 2411/1
746 01 Opava - www.isotra.cz
tel: +420 585 585 102 fax: +420 585 585 191
Ing. Petr Sedláček
Quality manager

ISOTRA a.s., Bilovecká 2411/1, 746 01 Opava
tel: +420 585 585 102 fax: +420 585 585 191
IČ: 47679191
zapsaná v obchodním rejstříku, územní oddělení Opava, oddělení Sídlo, číslo 15183
CZ - IČ: 47679191

Rozszerzalność cieplna rolety ekranowej

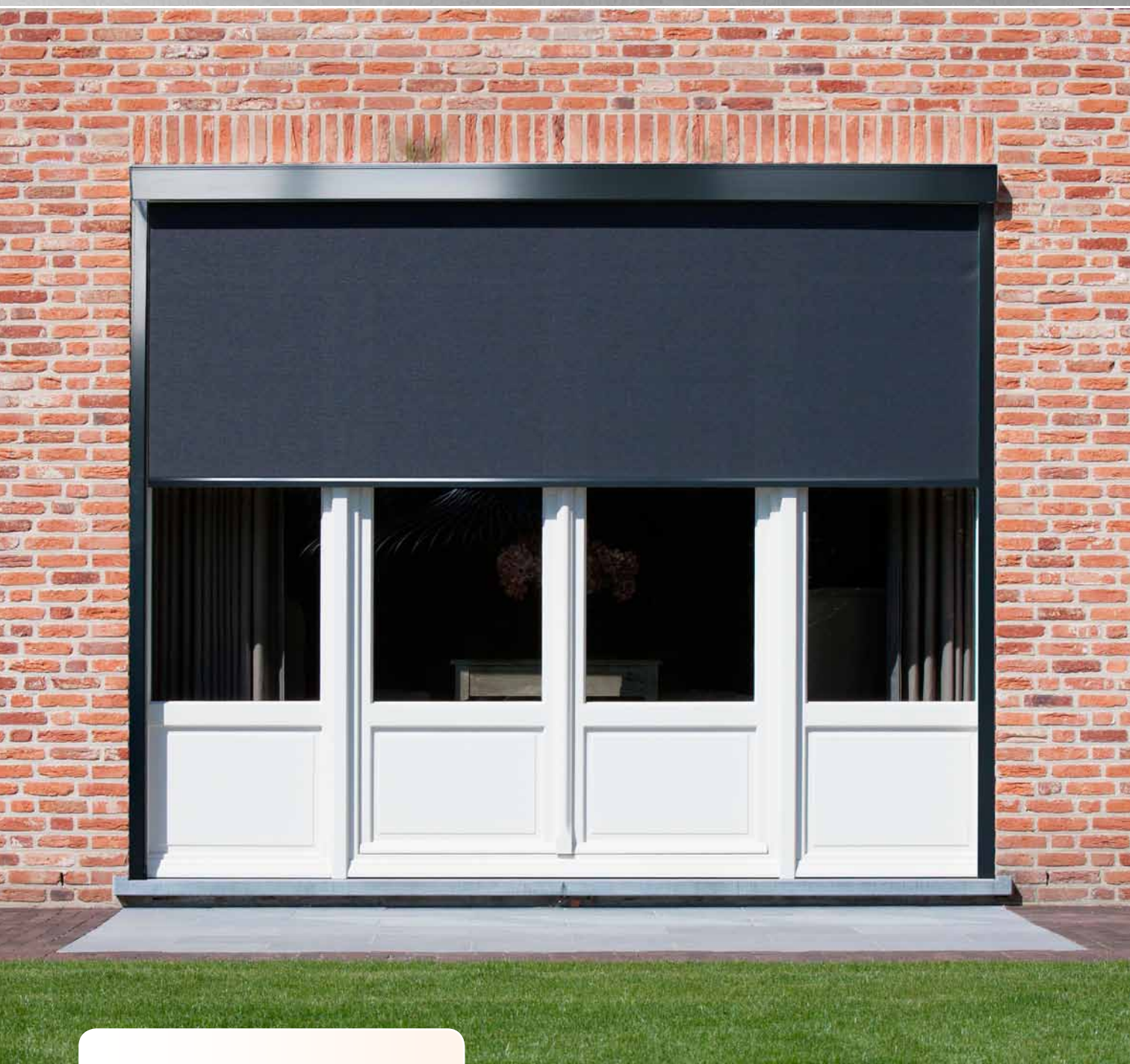
Kiedy temperatura aluminium wzrośnie, metal rozszerzy się; to zjawisko nazywa się rozszerzalnością cieplną. Współczynnik rozszerzalności cieplnej stopu aluminium wynosi 23,5 $\mu\text{m}/(\text{m} \cdot \text{K})$.

Przykład:

Roleta ekranowa przy temperaturze 20 °C mierzy 4000mm, po nagrzaniu na temperaturę 50 °C – w słoneczny dzień będzie mierzyć z powodu rozszerzalności cieplnej 4003 mm. Jako wynik zmiany temperatury aluminium dojdzie do wzrostu długości o +3 mm. Wbudowując roletę ekranową do okolicznych obiektów trzeba wziąć pod uwagę, że może dochodzić do zmiany wymiarów rolety ekranowej w zależności od temperatury otoczenia.

Wymierzając i wbudowując trzeba brać pod uwagę rozszerzalność cieplną profilu aluminiowego w zależności od temperatury otoczenia. Zalecamy przeprowadzanie wymierzania przy temperaturze otoczenia 23 +/- 5°C.

SCREEN ALFA-ZIP

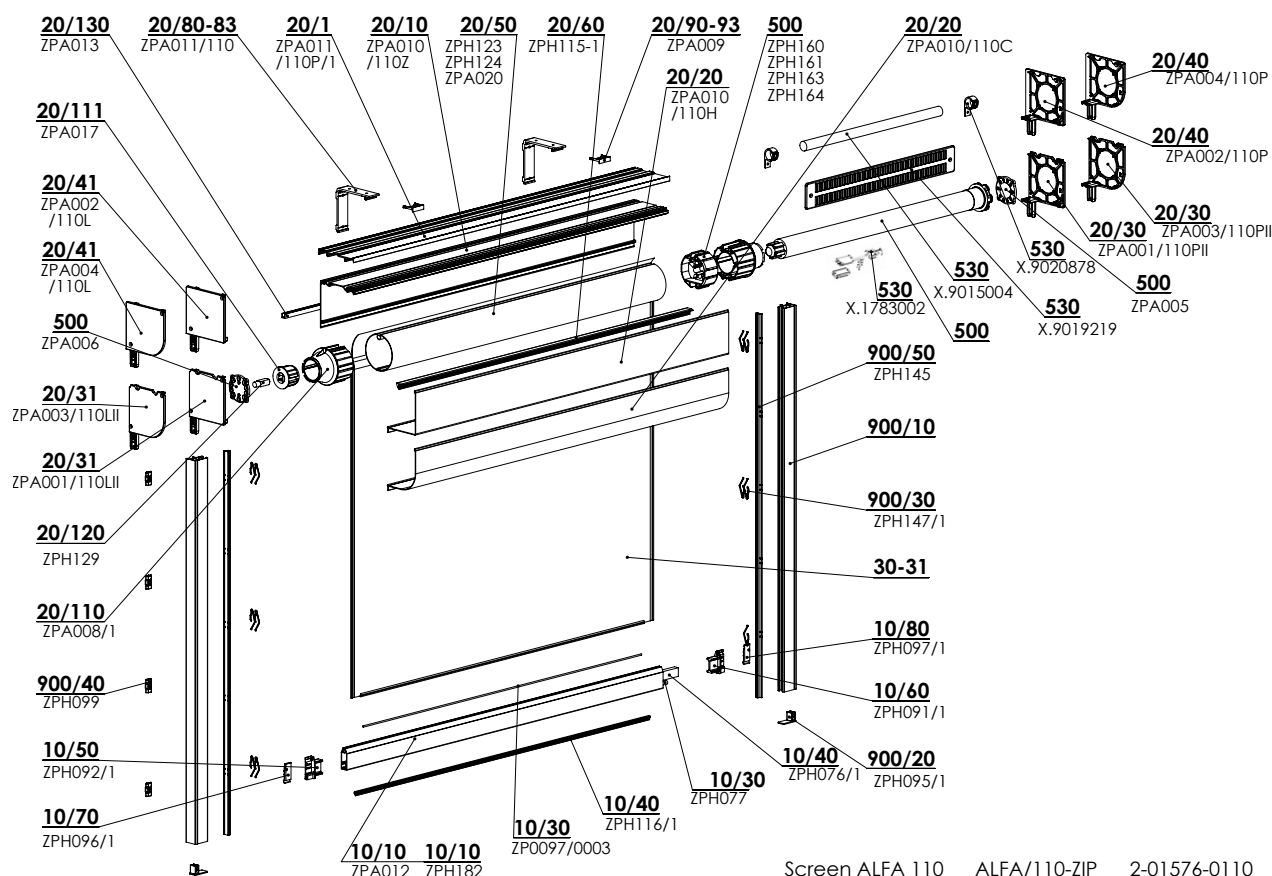


- ▲ 3 typy nowoczesnych kaset: z ostrymi rogami do surowej architektury, lub zaokrąglona do bardziej tradycyjnych budynków, oba typy dostępne w 2 wielkościach,
- ▲ wyważona dolna listwa do prowadzenia i napięcia tkaniny
- ▲ Klasa odporności na wiatr 6
- ▲ Prosty i szybki montaż
- ▲ Gwarantowana powierzchnia do 18 m².
- ▲ Możliwość sprzężenia do 3 rolet
- ▲ Możliwość zasilania solarnego

ISOTRA *Quality*

SCREEN ALFA-ZIP

Podstawowa specyfikacja produktu



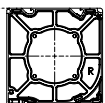
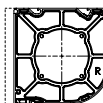
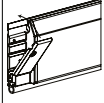
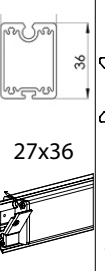
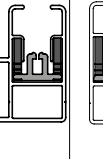
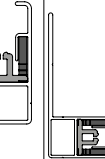
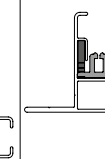
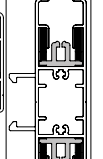
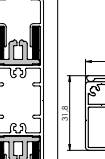
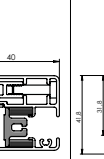
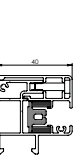

Obsługa

Służy do spuszczenia i podnoszenia rolety ekranowej. Do dyspozycji są dwa sposoby obsługi:

Silnik - standardowy asynchroniczny silnik rurowy Maestria Wt, lub opcjonalny asynchroniczny silnik rurowy Maestria iO, Sunea Screen IO, Geiger, Altus RTS (min. szerokość rolety 795), zasilanie solarne z silnikiem (min. szerokość rolety 595) Isotra Basic, Isotra Basic Solar 20/12, patrz strona 37.

Korbka - mechanizm ze ślimakiem samohamującym i kołem ślimakowym, przełożenie 1:4, wbudowany ogranicznik końcowy (zapobiega nieprawidłowemu nawijaniu materiału).

Specyfikacja (dla silnika)

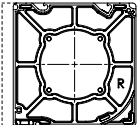
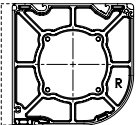
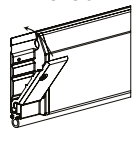
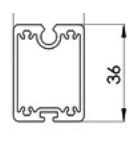
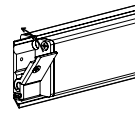
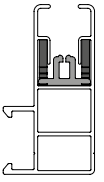
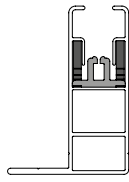
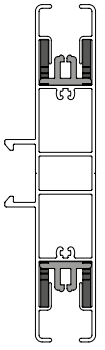
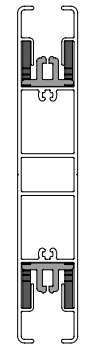
	Kaseta		Dolny profil duży	Dolny profil duży	Boczne prowadzenie							
	prostokątna	czwórciągła			listwa prowadząca							
Nazwa handlowa	BOX pro SCREEN ALFA		ZPA012	ZPH182	ZPA016 /839	ZPA016 /830	ZPH214 /837	ZPA016 /838	ZPH071	ZPH072	ZPA036/840-1	ZPA037/849
Wymiar (mm)	90x90 110x110 150 x 150	90x90 110x110 150 x 150	18x50*	27x36**	30x40	20x40	40x70	40x40	30x80	20x80	31,8x40	41,8x40
Materiał	Al	Al	Al	Al	Al	Al	Al	Al	Al	Al	Al	Al
												
					typ 839	typ 830	typ 837	typ 838	typ 865	typ 866	typ 840-1	typ 849
Kolor	Standardowe: RAL 9006 jasno srebrny RAL 9006S jasno srebrna struktura RAL 9007 ciemno srebrny RAL 9007S ciemno srebrna struktura RAL 9010 biały RAL 9010M biały matowy				RAL 7021 czarno szary RAL 7016 antracytowo szary RAL 7016M antracytowo szary matowy RAL 7016S antracytowo szara struktura RAL 8014 brązowy				RAL 8014M brązowy matowy DB 702 Perłowo jasny szary DB 703 Perłowo ciemny szary pozostałe kolory RAL na życzenie*			

* dla kasety 90x90,110x110,150x150

** dla kasety 110x110,150x150 (dla korbki, dla silnika)

*** dla kasety 110x110,150x150 (dla korbki, dla silnika)

Specyfikacja (dla korbki)

	Kaseta		Dolny profil	Dolny profil	Boczne prowadzenie			
	prostokątna	ćwierćokrągła	duży	duży	listwa prowadząca			
Nazwa handlowa	BOX pro SCREEN ALFA		ZPA012	ZPH182	ZPH152	ZPH154	ZPH156	ZPH155
Wymiar (mm)	90x90 110x110 150 x 150	90x90 110x110 150 x 150	18x50**	27x36***	30x55	40x55	30x110	20x110
Materiał	Al	Al	Al	Al	Al	Al	Al	Al
				 				
			18x50	27x36	typ 829	typ 828	typ 855	typ 856
Kolor	Standardowe: RAL 9006 jasno srebrny RAL 9006S jasno srebrna struktura RAL 9007 ciemno srebrny RAL 9007S ciemno srebrna struktura RAL 9010 biały			RAL 9010M biały matowy RAL 7016 antracytowo szary RAL 7016M antracytowo szary matowy RAL 7016S antracytowo szara struktura RAL 8014 brązowy RAL 8014M brązowy matowy			RAL 7021 czarno szary DB 702 Perłowo jasny szary DB 703 Perłowo ciemny szary pozostałe kolory RAL na życzenie*	

*oprócz części plastikowych

** Tylko dla Kaseta 90x90,110x110,150x150

*** dla kasety 110x110,150x150 (dla korbki, dla silnik)

Materiały typu Blackout:

Nieprzepuszczalna warstwa przy każdym typie montażu jest umieszczona na stronie okna. W przypadku montażu na zewnątrz silny wiatr może spowodować nieznaczne podnoszenie dolnej listwy i materiału, dlatego nie zawsze można gwarantować 100 % zaciemnienie. W przypadku materiałów Blackout zipy są umocowane na stronie licowej, nie na warstwie przezroczystej, dlatego jest możliwe, że przy silnym wietrze lub patrząc z boku na listwę prowadzącą będzie widać kawałek materiału z taśmy zipu, ale ma to małe znaczenie w porównaniu z widokiem lub szczelnością materiału (ograniczenie fałdowania).

Normalne zjawiska związane z tkaninami technicznymi

W okolicy zgrzewu lub pośrodku tkaniny może dojść do sfałdowania materiału, tzw. efektu choinkowego. To zjawisko jest normalne, ponieważ podczas używania na materiał działają różne siły. Następnym zjawiskiem mogą być widoczne odciski od walca na materiale. Znikną one przy wyższej temperaturze, kiedy materiał wyrówna się.

Normalne zjawiska dla samonośnej rolety ekranowej Alfa-ZIP

W samonośnej wersji rolety nie używa się profilu montażowego ani uchwytu „ściana-strop”, zatem jest naturalne nieznaczne ugięcie kasety na szerokości rolety. To ugięcie wytwarza optyczną szczelinę między górną krawędzią kasety i sufitem, gdzie jest zamontowana samonośna roleta ekranowa.

Standardowe wymiary dla kasety 90

Obsługa	Szerokość (mm)		Wysokość (mm)		Gwarantowana powierzchnia (m ²)
	min.	maks.	min.	maks.	maks.
Korbka	400	3200**	400	2500*	8
Silnik RTS,iO,WT	795	3200**	400	2500*	8

* Maks. wysokość z materiałem STNZ, STNBZ, SCR4005, SLTZB92 i SERGE 3Z wynosi tylko 1800 mm

** Dla samonośnej rolety ekranowej Alfa-ZIP maksymalna szerokość wynosi 1500 mm.

Standartní Wymiary pro Kaseta 110

Obsługa	Szerokość (mm)		Wysokość (mm)		Gwarantowana powierzchnia (m ²)
	min.	maks.	min.	maks.	maks.
Korbka	400	3900**	400	3500*, **	8
Silnik RTS,iO,WT	795	4200**	400	3500*, **	15

* Maks. wysokość z materiałem STNZ, STNBZ, SCR4005, SLTZB92 i SERGE 3Z wynosi tylko 2600 mm

** Dla samonośnej rolety ekranowej Alfa-ZIP maksymalna szerokość wynosi 3500 mm a maksymalna wysokość 3000 mm.

Standardowe wymiary dla kasety 150

Obsługa	Szerokość (mm)		Wysokość (mm)		Gwarantowana powierzchnia (m ²)
	min.	maks.	min.	maks.	
Korbka	400	3000	400	5000*	12
Silnik RTS, iO, WT	795	6000	400	5000*	18

UWAGA: Nie można użyć do samonośnej rolety ekranowej Alfa150.

* Maks. wysokość z materiałem STNZ, STNBZ, SCR4005, SLTZB92 i SERGE 3Z wynosi tylko 4500 mm

SCREEN ALFA-ZIP (2-01576-0110)

pozycja	nazwa pozycji	nazwa handlowa	numer rysunku
10	Profile DZIELONE - SCREEN ALFA - ZIP		patrz Profile DZIELONE - SCREEN ALFA - ZIP
20	KASETA do SCREEN ALFA 110 - ĆWIERCOKRĄGŁA		dla KASET do SCREEN ALFA - 110
20	KASETA do SCREEN ALFA 110 - PROSTOKĄTNA		Patrz KASETY do SCREEN ALFA - 110
30-31	Materiał DZIELONY (m2) do SCREEN		patrz wzornik SCREEN
500	Silniki (SOMFY, GEIGER, BECKER) SCREEN SC700/800		patrz Silniki SCREEN Alfa
530	Standardowe wyposażenie (Solar Screen)		patrz Standardowe wyposażenie (Solar Screen)
900-910	Prowadzenie - listwa ALFA - LEWA/PRAWA		patrz Prowadzenie - listwa ALFA - LEWA/PRAWA

Profil DZIELONE - SCREEN ALFA - ZIP (3-03571-PU11)

pozycja	nazwa pozycji	Nazwa handlowa	numer rysunku
10/10	Profil dolny Alfa	ZPA012	7-303495-0000
10/10	Profil dolny SC1000	ZPH182	6-015158-0000
10/30	Pręt plastikowy 3,0mm OVC	ZP0097/0003	6-016911-0003
10/30	Profil obciążnika listwy dolnej śr. 8mm - Fe/Zn	ZPH077	6-013966-0000
10/40	Uszczelnienie dolnej listwy ALFA	ZPH116/1	7-303664-0000
10/40	Profil obciążnika dolnej listwy 20x12mm - Zn	ZPH076/1	3-04746-PU2
10/50	Końcówka dolnej listwy - LEWA CZARNA	ZPH092/1	3-03657-9004
10/60	Końcówka dolnej listwy - PRAWA CZARNA	ZPH091/1	3-03656-9004
10/70	Bezpiecznik końcówki dolnej listwy - LEWA CZARNA	ZPH096/1	3-03659-9004
10/80	Bezpiecznik końcówki dolnej listwy - PRAWY CZARNY	ZPH097/1	3-03658-9004

KASETA do SCREEN ALFA-ZIP - 110 (2-01578-PU11 prostokątna / 2-01579-PU11 ćwierćokrągła)

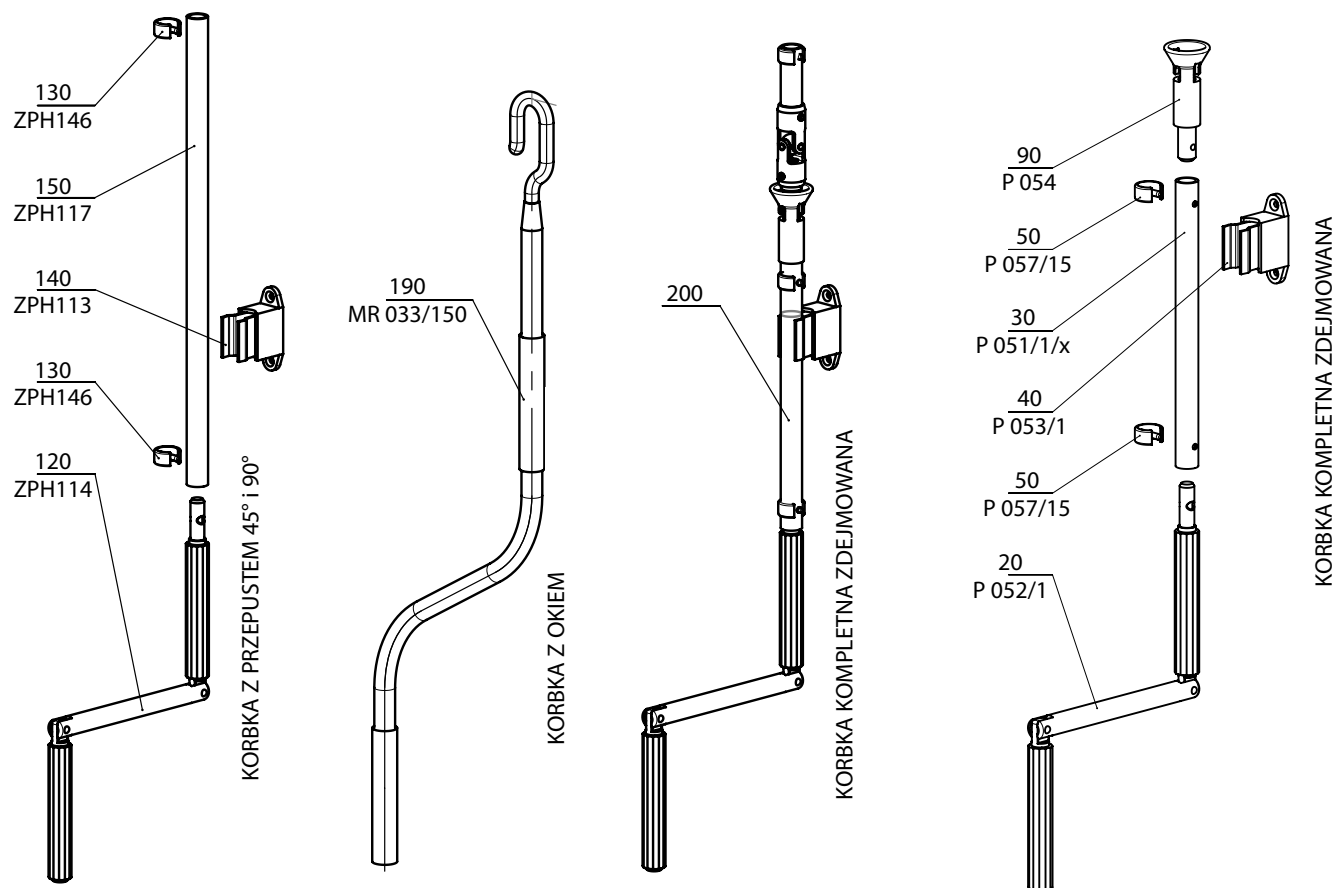
pozycja	nazwa pozycji	Nazwa handlowa	numer rysunku
20/1	Profil Uchwyt Alfa 110 Pergola	ZPA011/110P/1	7-303888-0000
20/10	Profil Kasety Alfa 110 tylna	ZPA010/110Z	7-303491-0000
20/20	Profil Kasety Alfa 110 Przednia ćwierćokrągła	ZPA010/110C	7-303480-0000
20/20	Profil Kasety Alfa 110 Przenia prostokątna	ZPA010/110H	7-303479-0000
20/30	Ściana boczna 110 Alfa H1-1 P N	ZPA001/110P/3	3-04130-0000
20/30	Ściana boczna 110 Alfa H1-1 L N	ZPA001/110L/3	3-04131-0000
20/31	Ściana boczna 110 Alfa K1-1 P N	ZPA003/110P/3	3-04132-0000
20/31	Ściana boczna 110 Alfa K1-1 L N	ZPA003/110L/3	3-04133-0000
20/40	Ściana boczna 110 Alfa H1 L N	ZPA001/110L/1	7-304064-0000
20/40	Ściana boczna 110 Alfa H2 P N	ZPA002/110P/1	7-304065-0000
20/41	Ściana boczna 110 Alfa H2 L N	ZPA002/110L/1	7-304066-0000
20/41	Ściana boczna 110 Alfa K2 P N	ZPA004/110P/1	7-304069-0000
20/41	Ściana boczna 110 Alfa K2 L N	ZPA004/110L/1	7-304070-0000
20/50	Walek nawijania SC700/800 Al śr. 55mm- 6m	ZPH123	6-014027-0000
20/50	Walek nawijania SC700/800 Al śr. 67mm- 6m	ZPH124	6-013982-0000
20/50	Walek nawijania śr. 85x1, 20mm - 6 m	ZPA 020	6-016860-0000
20/60	Profil do naprowadzania materiału ALFA	ZPH115-1	7-303663-0000
20/80-83	Uchwyt Alfa 110 Ściana-strop	ZPA011/110	3-03496-0000
20/90-93	Bezpiecznik ściana-strop	ZPA009	3-03483-0000
20/110	Końcówka wałka śr. 85mm - przelotowa	ZPA008/1	3-04003-9004
20/111	Wkładka końcówki wału - śr.50mm	ZPA017	3-03486-9004
20/120	Kołek kołpaka wału - 12mm Fe/Zn	ZPH129	6-013985-0000
20/130	Cienkościenny profil Al -U. 10x10x1,5	ZPA013	6-011349-0000

Prowadzenie - listwa - lewe/prawe (2-01580-PU11L/2-01580-PU11P)

pozycja	nazwa pozycji	Nazwa handlowa	numer rysunku
900/20	Końcówka VL	ZPH095/1	3-03667-0000
900/30	Sprężyna VL ZIP SC800	ZPH147/1	7-303662-0000
900/40	Clip VL ZIP SC800	ZPH099	6-013993-0000
900/50	Profil prowadzący SC800 do zipu v3	ZPH145	6-014155-0000

SCREEN ALFA-ZIP

Obsługa Korbka



2-01372-XXXX-0

2-01436-XXXX-A

Obsługa ręczna - SCREEN ALFA-ZIP (2-01372-XXXX_0)

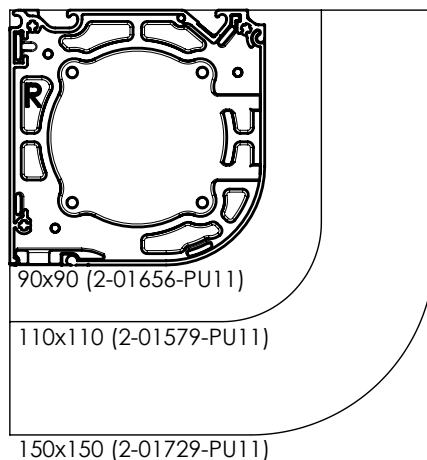
pozycja	nazwa pozycji	Nazwa handlowa	numer rysunku
120	Korbka łamana	ZPH114	6-014323-0000
130	Pierścień zabezpieczający z czopem	ZPH146	6-014451-0000
140	Uchwyt korbki	ZPH113	6-014319-0000
150	Rura korbki PVC – średnica 12 mm	ZPH117	6-014324-0000
190	Korbka markizy 1500 mm	MR 033/150	6-011095-1500
200	Korbka kompletna zdejmowana do SCREEN		2-01436-0000

Korbka kompletna zdejmowana dla SCREEN ALFA-ZIP (2-01436-XXXX_0)

pozycja	nazwa pozycji	Nazwa handlowa	numer rysunku
20	Korbka łamana Al – średnica 12 mm szara	P 052/1	6-006682-0000
30	Rura korbki Al – średnica 15 mm anodowana	P 051/1/X	7-301797-PU52
40	Uchwyt korbki – uniwersalny szary	P 053/1	6-006683-7045
50	Pierścień zabezpieczający z czopem 15 mm szary	P 057/15	6-006467-7035
90	Lejek korbki kwadrat	P 054	6-001190-0000

SCREEN ALFA-ZIP

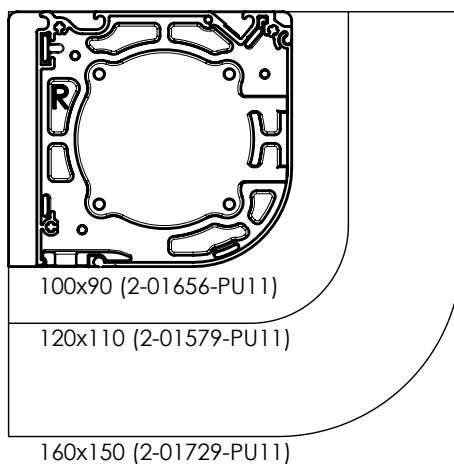
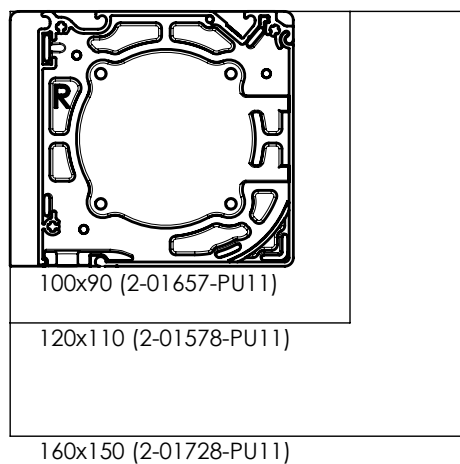
Specyfikacja techniczna

Profil górny – prostokątna**Prófil górny – ćwierćokrągła****Profil górny - prostokątny - z rozszerzoną ścianą boczną**

- nie można użyć do samonośnej rolety ekranowej

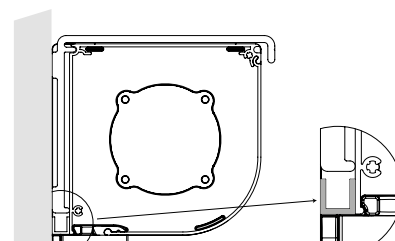
Prófil górny - ćwierćokrągły - z rozszerzoną ścianą boczną

- nie można użyć do samonośnej rolety ekranowej

**Tylne części kasety****Profil U- poziomy**

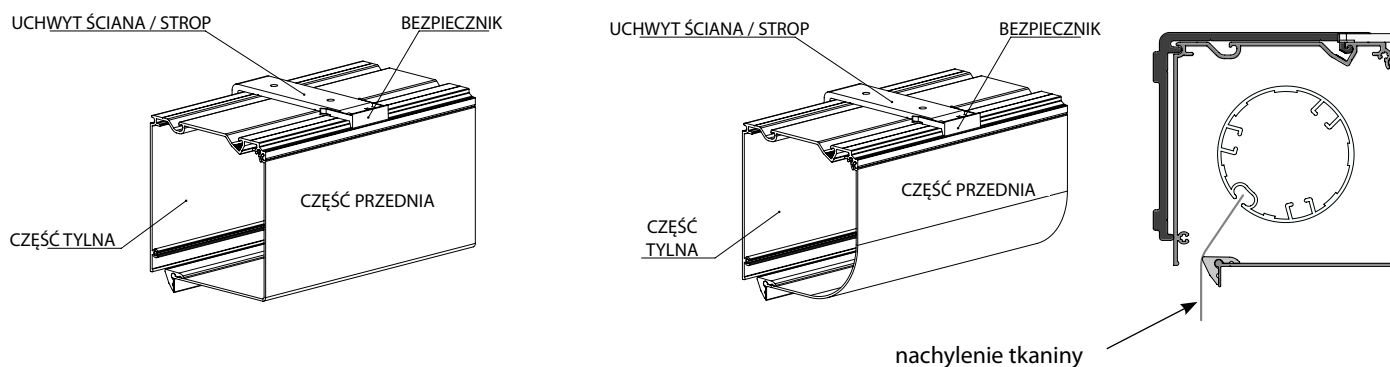
Szczelinę między kasetą i ścianą można wypełnić poziomo z pomocą profilu U o wymiarach 10 x 10 x 10 mm, długość jest dana szerokością kasety.

Przeznaczenie: - do listwy prowadzącej A839 i A829



Profil U- poziomy

Uchwyt ściana / strop



Materiał: ekstrudowane aluminium z lakierem proszkowym
Dla instalacji wszystkich wielkości profilu górnego niezależnie od listew prowadzących:

Standardowa liczba uchwytów ściana/strop:

Szerokość rolety [mm]	Standardowa liczba uchwytów ściana/strop (box 90, 110, 150)
0 - 1500	2 szt.
1501 - 3000	3 szt.
3001 - 4500	4 szt.
4501 - 6000	5 szt.

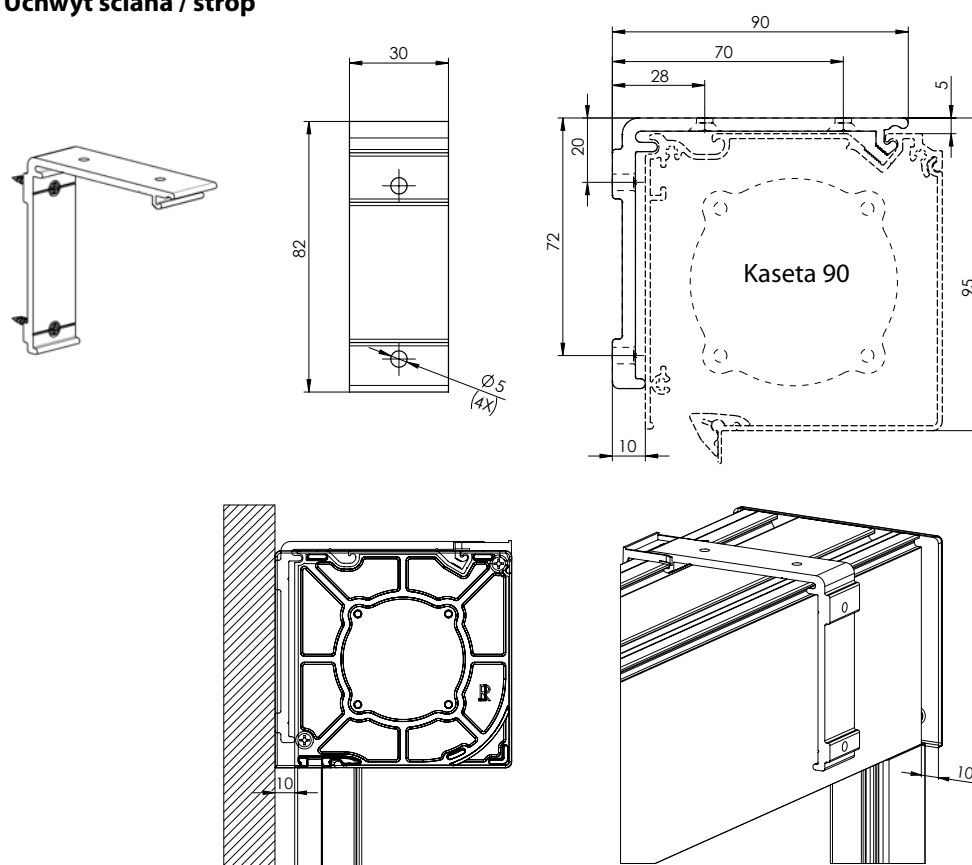
Dla samonośnej rolety ekranowej, w przypadku spełnienia wymiarów granicznych ξ_{MAX} i V_{MAX} nie będzie dostarczony profil montażowy ani uchwyty ściana -strop

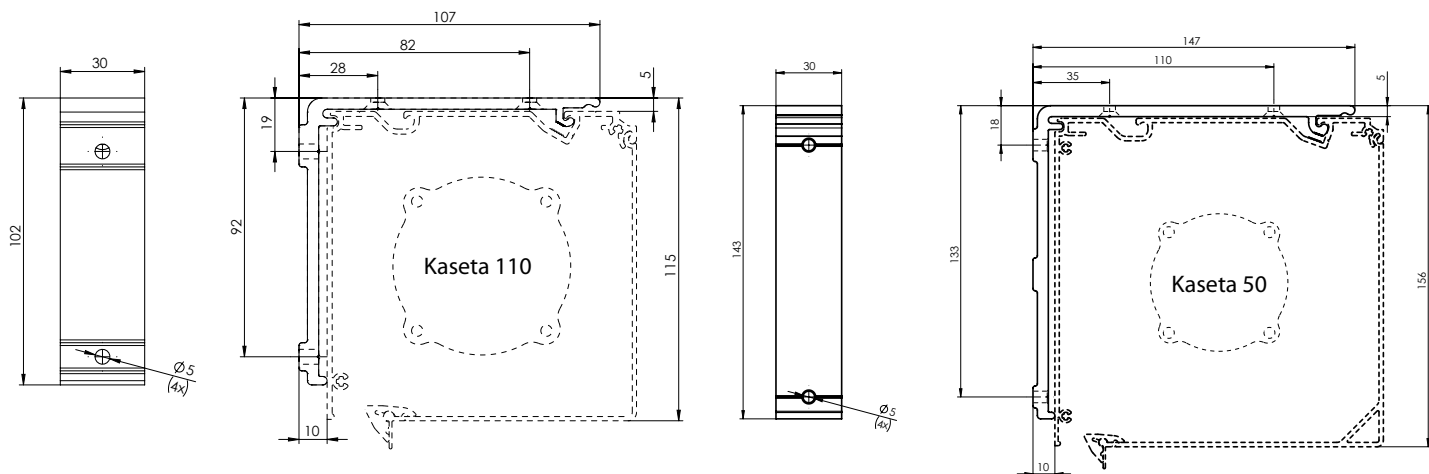
Jeżeli jest użyty uchwyt ściana/strop, zalecamy użycie listew prowadzących typu A829, A839, A828, A838, A865 i A855.

Szerokość uchwytu ściana/strop: 30 mm

Posuwa tylną stronę górnego profilu o 10 mm do przodu tak samo, jak zawieszenia listew prowadzących.

Uchwyt ściana / strop





Uchwyt na pergole (profil montażowy)

PROFIL MONTAŻOWY

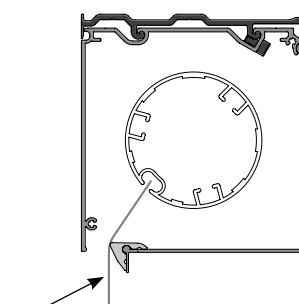
PROFIL MONTAŻOWY

CZĘŚĆ TYLNA

CZĘŚĆ PRZEDNIA

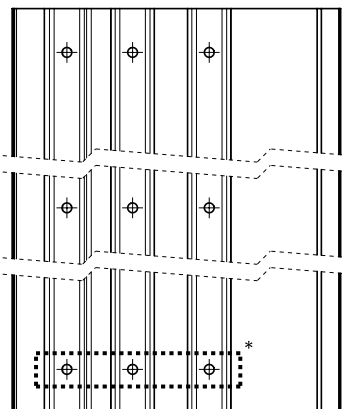
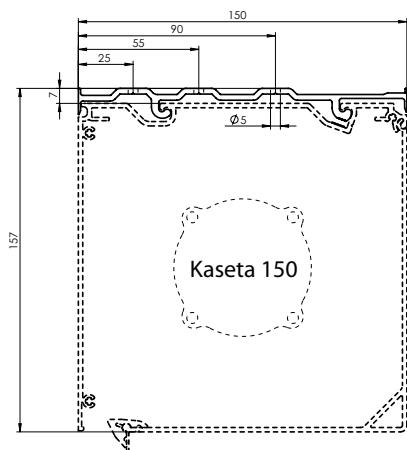
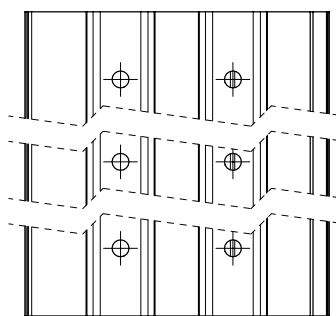
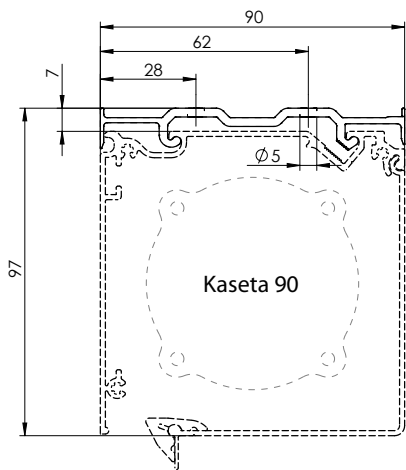
CZĘŚĆ TYLNA

CZĘŚĆ PRZEDNIA

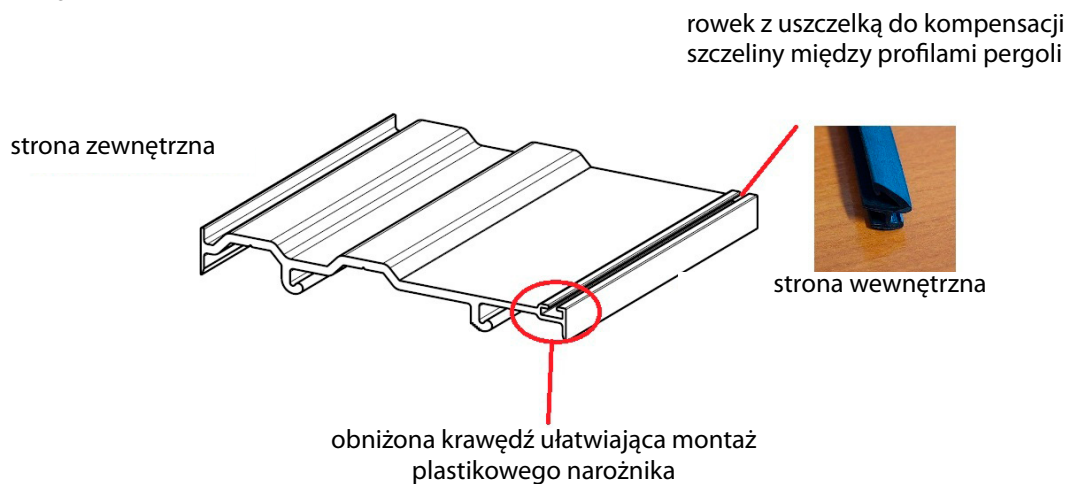


Uchwyt do pergoli (profil montażowy) Zalecany rozstaw otworów.

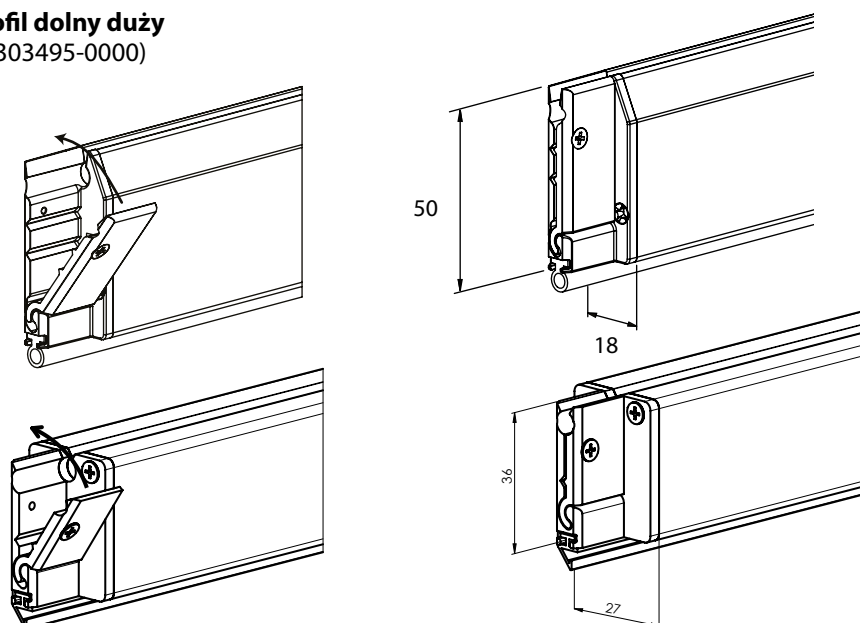
nachylenie tkaniny



Uchwyt pergoli 110 mm



Profil dolny duży (7-303495-0000)

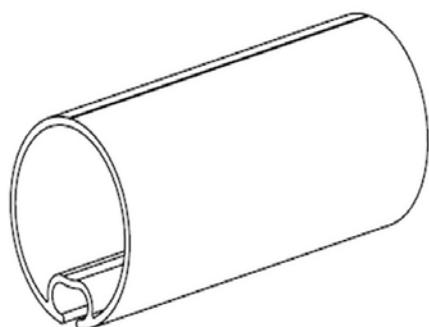


Materiał: ekstrudowane profile aluminiowe:

- z lakierem proszkowym
 - z przestrzenią na profil obciążający
 - z rowkiem na materiał
 - z rowkiem na gumę uszczelniającą
- materiał jest umocowany do dolnej listwy z pomocą plastikowego pręta \varnothing 3 mm.

Bloki ślizgowe - osłony boczne dla dobrego umocowania materiału

Wałek nawijający, śr. 55mm – 6m, śr. 67mm - 6 m, śr. 85mm – 6m, pr. 100 mm - 6m
(6-014027-0000, 7-303497-0000, 6-016860-0000, 6-018526-00006)



Materiał: ekstrudowane aluminium rur \varnothing 55 mm i \varnothing 67 mm i stal ocynkowana rury \varnothing 85 mm a \varnothing 100 mm.

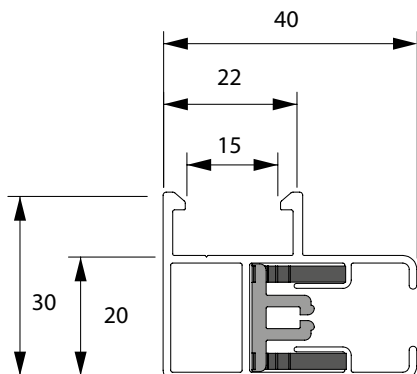
Posiada rowek do umocowania materiału z pomocą plastikowego pręta \varnothing 4 mm do rury \varnothing 55 mm i \varnothing 67 mm i z pomocą plastikowego pręta \varnothing 6 mm do rury \varnothing 85 mm a \varnothing 100 mm.

Listwy prowadzące dla silnika

Materiał: ekstrudowane profile aluminiowe lakierowane proszkowo

Listwa prowadząca A839 (7-303494)

- listwa prowadząca do umocowania na zaczepy lub dla małej odległości od bocznej strony (10 mm).
- nie można użyć do samonośnej rolety ekranowej



Listwa prowadząca A830 (7-303492)

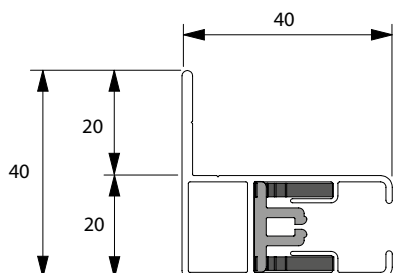
- płaska listwa prowadząca bez zaczepów.



Listwa prowadząca A838

(7-303493)

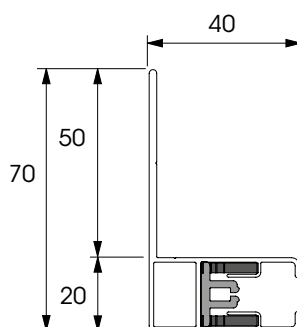
- listwa prowadząca z krótkim kołnierzem montażowym.



Listwa prowadząca A837

(6-018856)

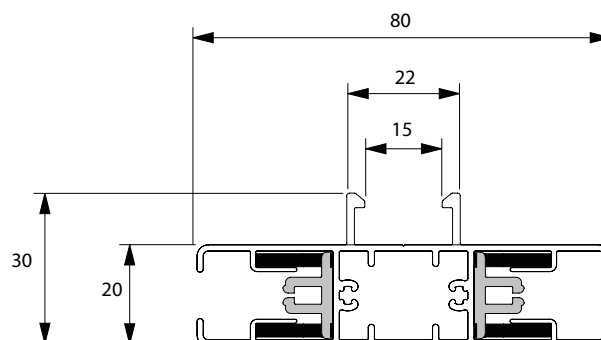
- listwa prowadząca z długim kołnierzem montażowym



Listwa prowadząca A865

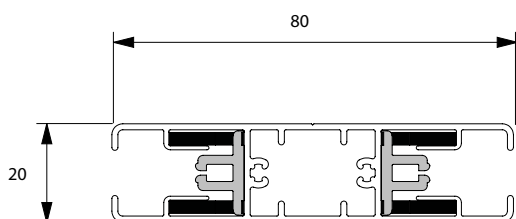
(6-014420)

- pomocnicza listwa prowadząca.
- nie można użyć do samonośnej rolety ekranowej



Listwa prowadząca A866 (6-014421)

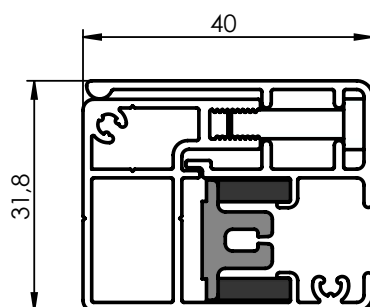
- pomocnicza listwa prowadząca.



Listwa prowadząca A840-1

(7-304469-0000 + 7-304468-0000)

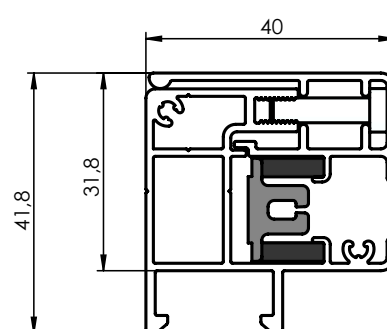
- listwa prowadząca składana, dla silnika
- nie nadaje się do montażu na ramie w połączeniu z uchwytem ściennym/sufitowym



Listwa prowadząca A849

(7-304470-0000+7-304468-0000)

- listwa prowadząca składana, dla silnika
- eliminuje szczelinę 10 mm przy zastosowaniu uchwyty ściana-sufit, można stosować w połączeniu z kamieniami montażowymi

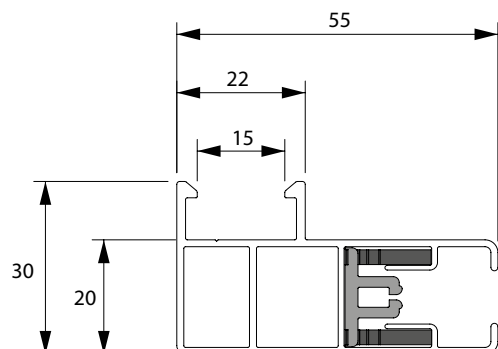


Listwy prowadzące dla korbki

Materiał: ekstrudowane profile aluminiowe lakierowane proszkowo

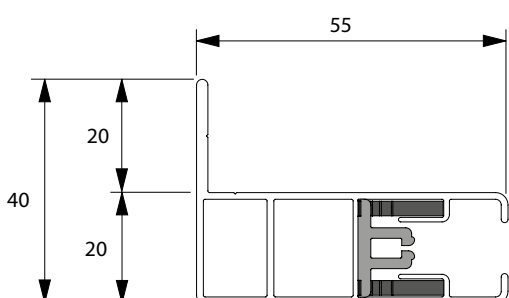
Listwa prowadząca A829 (6-013989)

- listwa prowadząca do umocowania na zaczepy lub dla małej odległości od bocznej strony (10 mm).
- nie można użyć do samonośnej rolety ekranowej



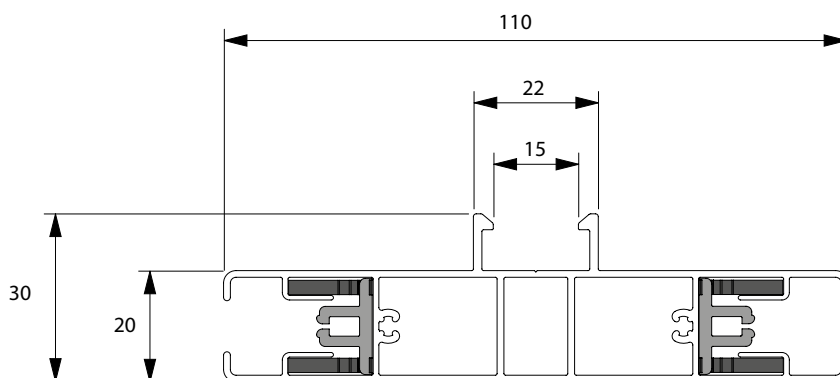
Listwa prowadząca A828 (6-014153)

- listwa prowadząca z krótkim kołnierzem montażowym



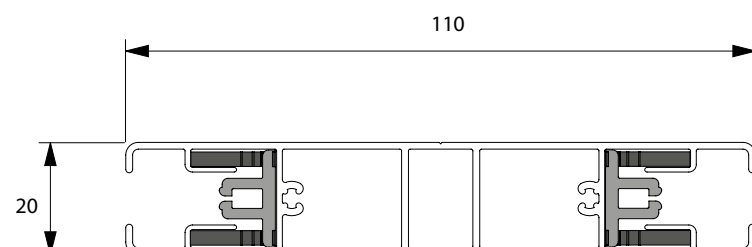
Listwa prowadząca A855 (6-014827)

- pomocnicza listwa prowadząca
- nie można użyć do samonośnej rolety ekranowej



Listwa prowadząca A856 (6-014154)

- pomocnicza listwa prowadząca



Listwy prowadzące - wiercenie na przedniej/bocznej stronie (z obustron na krawędzi 200 mm)

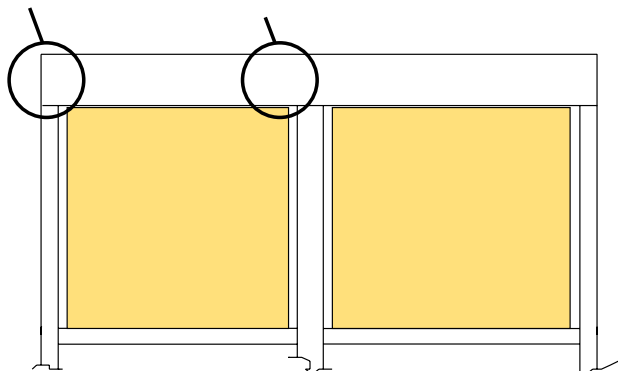
do wysokości 1500 mm	2 otwory (końcowe)
powyżej 1500 mm do 3000 mm	3 otwory (2 końcowe otwory + 1 otwór w środku)
od 3000 mm do 4500 mm	4 otwory (2 końcowe otwory + 2 otwory w środku)
od 4500 mm	5 otworów (2 końcowe otwory + 3 otwory w środku)

Ściana boczna:

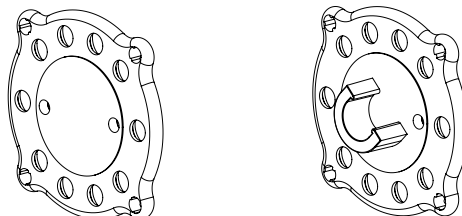
Podstawowa ściana boczna: - aluminiowe ściany boczne z czopami - odlew ciśnieniowy,
 - aluminiowe ściany boczne kompletne z uniwersalnymi płytami nośnymi z czarnego materiału syntetycznego.

Środkowe ściany boczne: - aluminiowe ściany boczne z czopami - odlew ciśnieniowy,
 - trzymają łożysko rolet sprężonych lub uniwersalną płytę nośną.

Podstawowa ściana boczna Środkowa ściana boczna



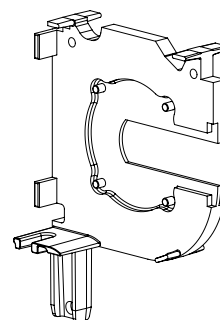
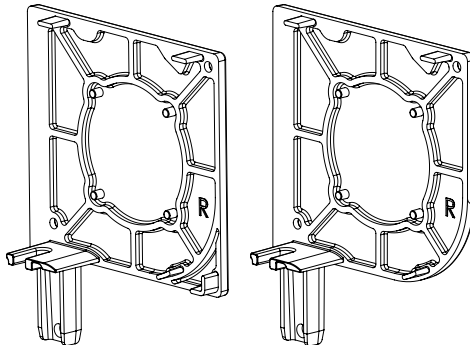
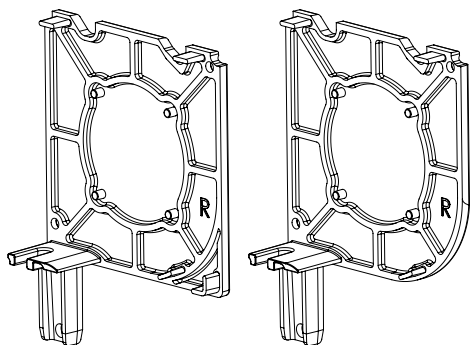
Uniwersalna płyta nośna:



Ściany boczne do profilu montażowego

Ściany boczne do uchwytu ściana-strop

Centralna ściana boczna



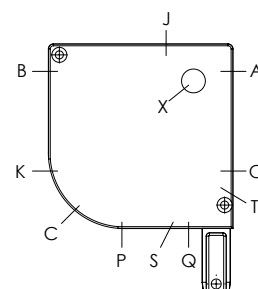
Obsługa umieszczenie - wyjście

Typ montażu	Obsługa	O			A			J			T			B			K			
		90	110	150	90	110	150	90	110	150	90	110	150	90	110	150	90	110	150	
A-AE	Silnik	x	x	x	x	x	x	o	x	x										
	Korbka 45°										x	x	x							
	Korbka 90°	x	x	x	x	x	x													
	Korbka																			
B-BE	Korbka z okiem																			
	Silnik							o	x					x	x			x	x	
	Korbka 45°													x	x			x	x	
	Korbka 90°													x	x			x	x	
	Korbka																			
	Korbka z okiem																			

Typ montażu	Obsługa	P			Q			C		S			X		
		90	110	150	90	110	150	90	110	90	110	150	90	110	150
A-AE	Silnik									x				x	x
	Korbka 45°														
	Korbka 90°														
	Korbka							o	o						
B-BE	Korbka z okiem							o	o						
	Silnik							o	o					x	x
	Korbka 45°							x	x						
	Korbka 90°														
	Korbka							o	o						
	Korbka z okiem														

x	Tak
x	Możliwość tylko z prostokątną kasetą
	Użycie z przekładnią z krótkim okiem
	Użycie z przekładnią z długim okiem
J	Do montażu strop/nadproże lub użycia wewnątrz z powodu przenikania wody.
o	Nie jest możliwe

Wyjścia do obsługi

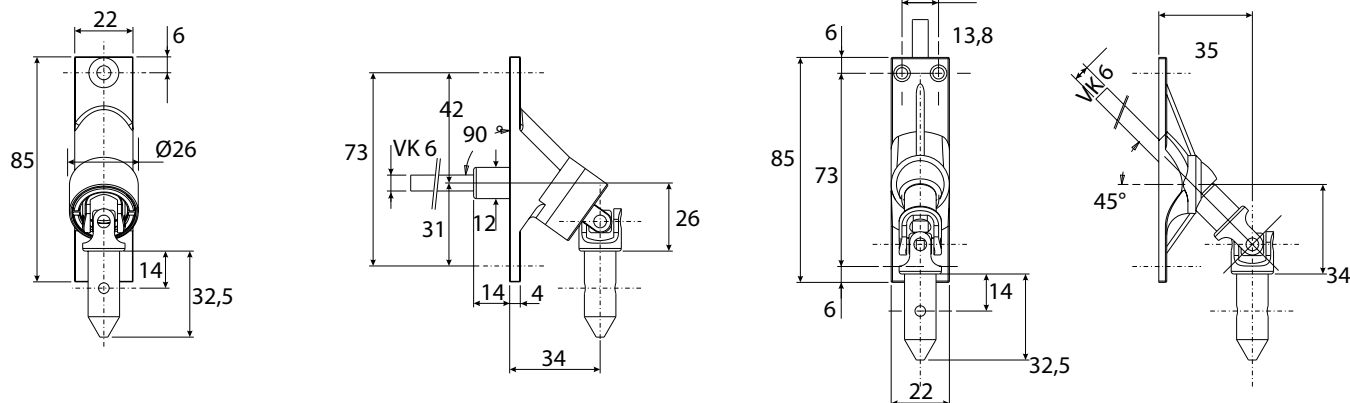


Obsługa - Korbka

Obsługa wewnątrz

- Standardowa:
- szara plastyfikowana składana korbka,
 - przegub kardanowy 90° lub 45° lub 0° (materiał korbki: 6 mm prostokątny, długość 320 mm).
 - konsola magnetyczna trzymająca korbkę na ścianie,
 - długość korbki zależy od wysokości rolety: $L = H - 150$ mm (z przegubem 90°), $L = H - 350$ mm (z przegubem 45° i 0°).

- Alternatywa:
- zdejmowana korbka ze specjalnym sprzęgłem,
 - bez zdejmowanej korbki, ze specjalnym sprzęgłem.



Przegub kardanowy 90°

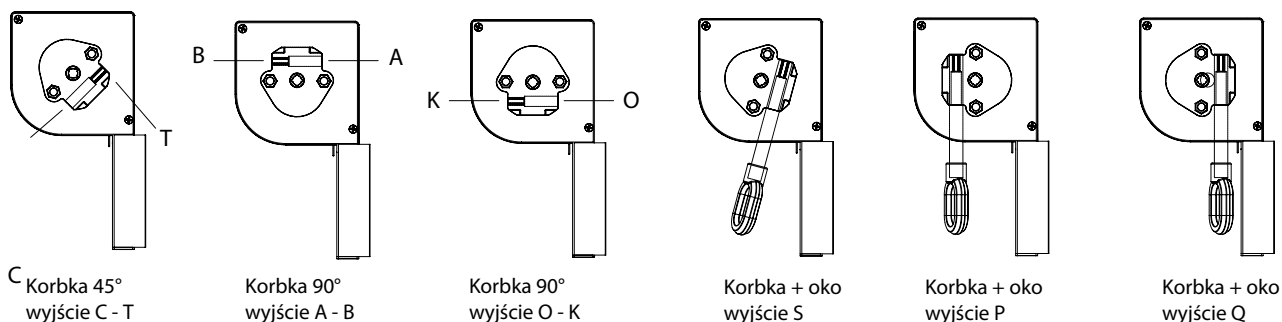
Przegub kardanowy 45°

Uwaga: płyta połączenia przegubowego nie może być umocowana bezpośrednio na kasie, dlatego jest konieczne zapewnienie dalszego miejsca koło kasety.

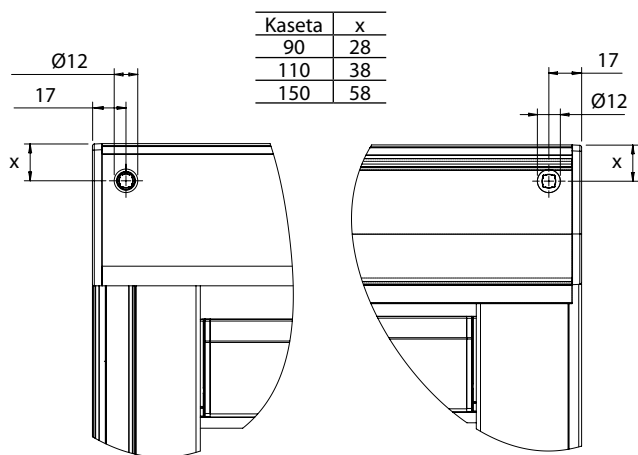
Obsługa zewnętrzna

- Standardowa:
- obsługa korbką z okiem, zdejmowana korbka z hakiem, długość 1500 mm.
- Alternatywa:
- inne długości korbek są za dopłatą.

Uwaga: zapewnić dostatek miejsca na boku (± 10 mm) z powodu obracania haka korbki w oku.

C Korbka 45°
wyjście C - TKorbka 90°
wyjście A - BKorbka 90°
wyjście O - KKorbka + oko
wyjście SKorbka + oko
wyjście PKorbka + oko
wyjście Q

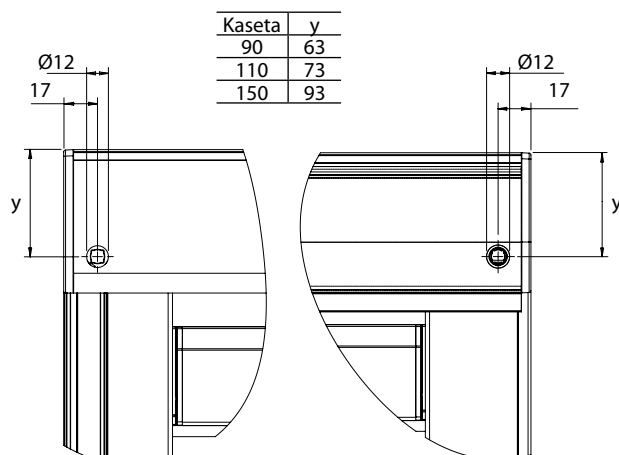
Wyjścia do obsługi na korbkę przez ścianę



Kaseta	x
90	28
110	38
150	58

zdejmowana korbka 90°
wyjście A

zdejmowana korbka 90°
wyjście B



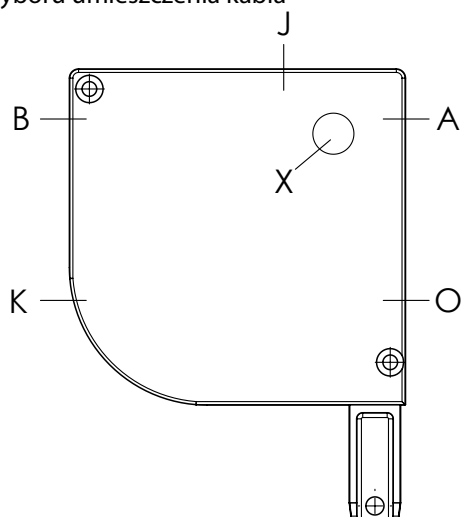
Kaseta	y
90	63
110	73
150	93

zdejmowana korbka 90°
wyjście O

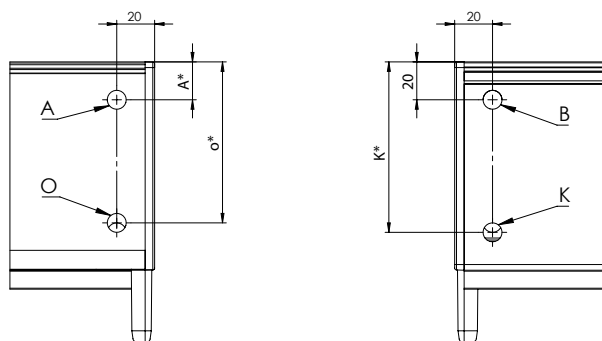
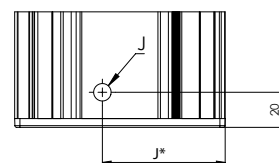
zdejmowana korbka 90°
wyjście K

Obsługa- silnik

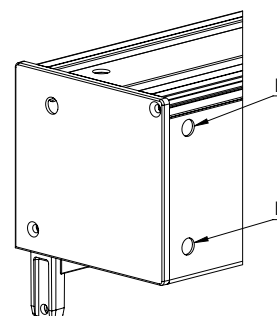
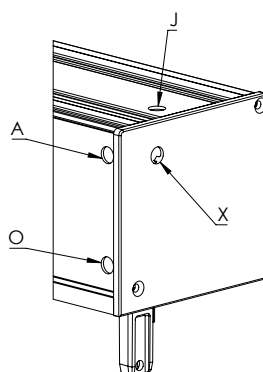
Możliwość wyboru umieszczenia kabla



na lewo, wyprowadzenie X (ze ściany bocznej) tylko dla kasety 110, 150
na prawo, wyprowadzenie X (ze ściany bocznej) tylko dla kasety 110, 150



Box	A*	J*	K*	O*
90	30	45	70	65
110	20	70	90	85
150	30	75	130	125



Rolety ekranowe

można użyć jednej kasety dla 2 do 3 rolet ekranowych. DVC: rolety bezpośrednio obok siebie

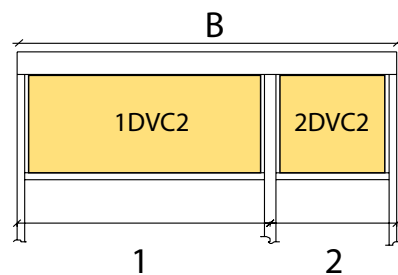
- Z listwami prowadzącymi pośrodku: A865/A866 - dla silnika
A855/A856 - dla korbki

Możliwe z 1, 2 lub 3 miejscami obsługi.

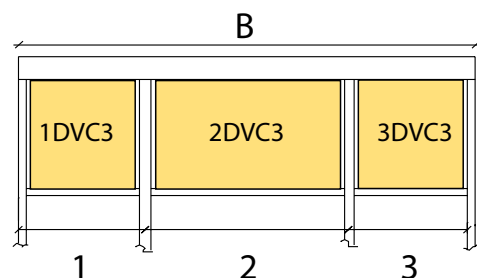
- Minimalna szerokość pojedynczej rolety ekranowej zależy od typu obsługi.
- Maksymalna całkowita szerokość zależy od typu obsługi.
- Obsługę korbką i napęd elektryczny można sprzęgać aż na 6 m.
- Zaleca się zainstalowanie jednostki sterującej do największej rolety.

Sprzężonej wersji nie można użyć dla ALFA90 w wersji obsługi korbką i ALFA150 (korbką, silnik).

Sprzężonej wersji nie można użyć do samonośnych rolet ekranowych.



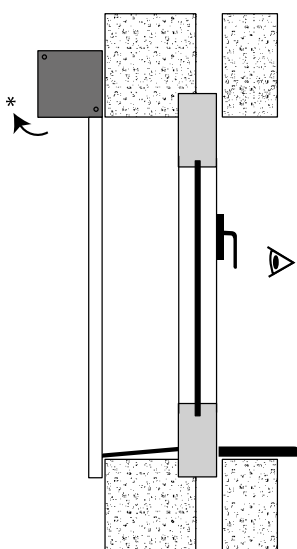
1DVC2 - 1. roleta we wspólnej kasecie z 2
2DVC2 - 2. roleta we wspólnej kasecie z 2



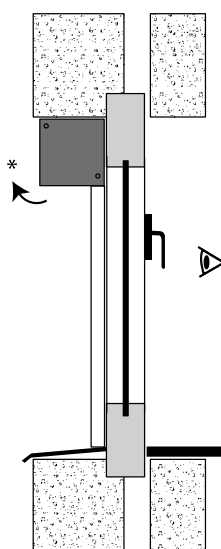
1DVC3 - 1. roleta we wspólnej kasecie z 3
2DVC3 - 2. roleta we wspólnej kasecie z 3
3DVC3 - 3. roleta we wspólnej kasecie z 3

Typ montażu

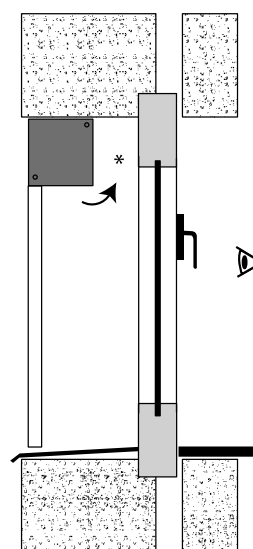
Typ A-AE (na ścianę)



Typ A-AE (do szpalety)



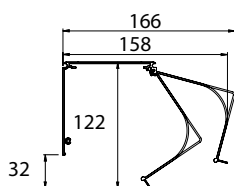
Typ B-BE (do szpalety) *



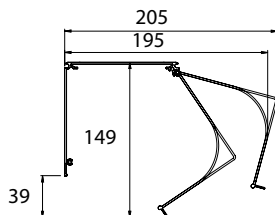
- A - nawój do okna „A” (standard)
- AE - nawój do okna „AE” (zewnątrzna strona jaśniejsza)
- B - nawój od okna „B” BE - nawój od okna „BE” (zewnątrzna strona jaśniejsza)

* miejsce na oświetlenie kasety

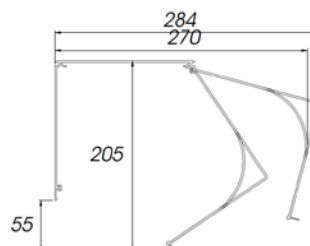
Typ 90



Typ 110



Typ 150



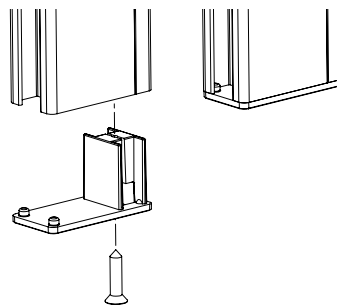
Montaż na czopy

Kasetę montuje się do listew prowadzących. Listwy poruszają się po czopach konsoli.

Montaż na czopy



Ogranicznik końcowy



Zaczepty na listwy prowadzące A829, A839, A855, A865



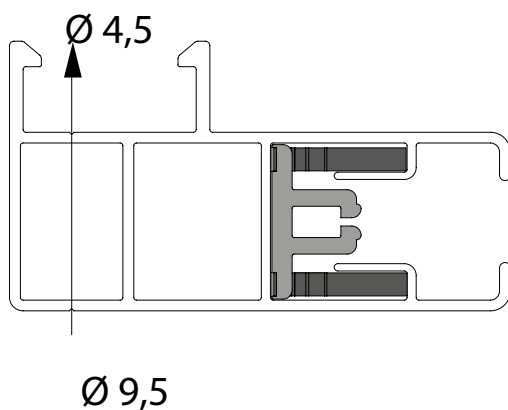
Ogranicznik końcowy na pomocniczej listwie prowadzącej



Z ogranicznikami końcowymi Al na spodniej stronie dla ogranicznika listwy; grubość 2 mm.

Niektóre listwy prowadzące mogą być dostarczone z uprzednio wywierconymi otworami.

Otwory na przedniej stronie:



Listwy prowadzące dla wywierconych otworów na przedniej stronie:

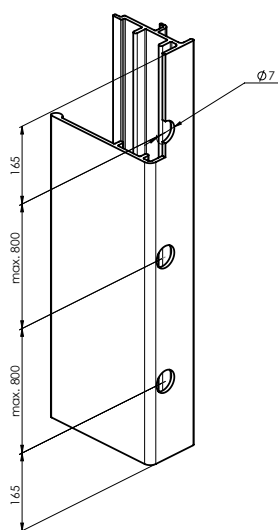
Otwory	A829/A839	A830	A828/A838, A837	A855/A865	A856/A866
przednia strona	TAK	TAK	NIE	TAK	TAK

*A830 standardowe nawiercone otwory

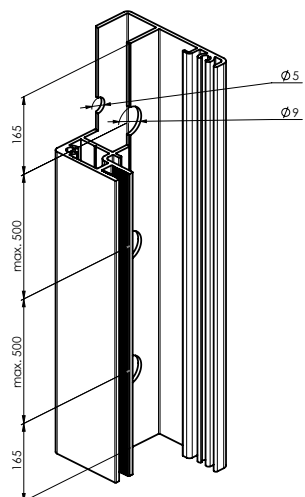
*A829/A839 WIERCONE TYLKO NA ŻYCZENIE

A840-1: wiercenie na przedniej/bocznej stronie

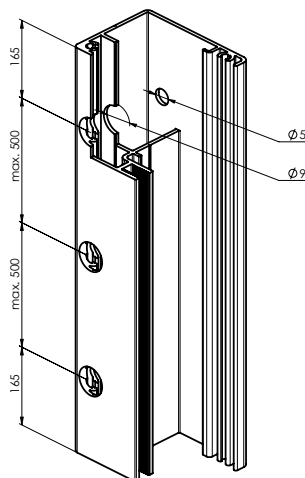
A840-1 wiercenie końca listwy prowadzącej



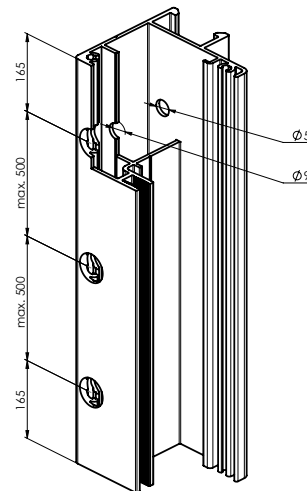
A840-1b wiercenie na bocznej stronie



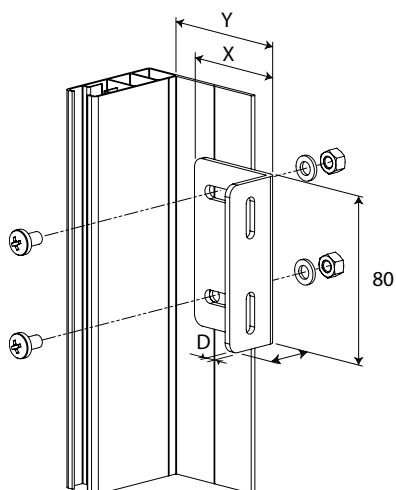
A840-1c wiercenie na przedniej stronie



A849: wiercenie na przedniej stronie



Uchwyt na listwy prowadzące A828, A837 i A838:



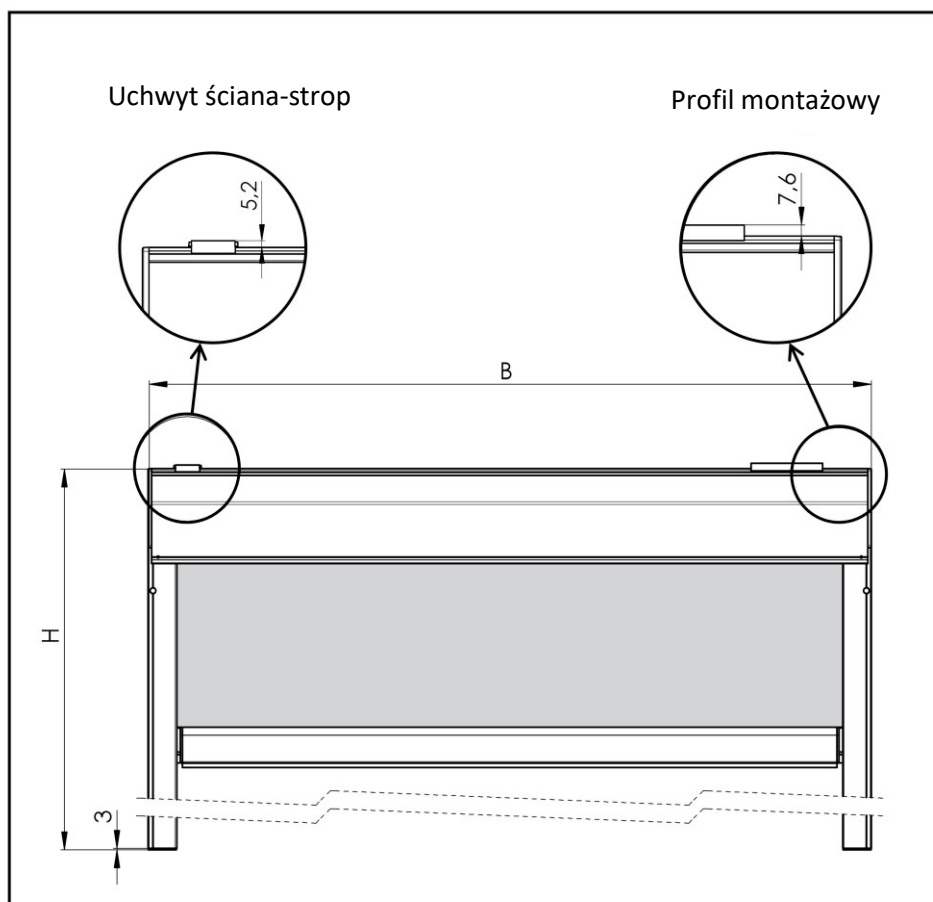
X × H × D	X	Y	numer rysunku
50 × 30 × 3	50	50–65	6-014549-0000
60 × 30 × 3	60	60–75	6-014550-0000
100 × 30 × 3	100	100–115	6-014552-0000
130 × 30 × 3	130	130–145	6-014542-0000

SCREEN ALFA-ZIP

Wymiarowanie rolety ekranowej ALFA-ZIP

Szerokość końcowa B = odległość między ścianami bocznymi.

Wysokość końcowa H = wysokość wraz z kasetą i końcówkami listew prowadzących (grubość końcówek listew prowadzących = 3 mm) z wyjątkiem uchwytu ściana/strop lub z wyjątkiem profilu montażowego.



Montaż rolety ekranowej ALFA-ZIP

Istnieje kilka sposobów instalacji rolety ekranowej w zależności od sytuacji.

Uwaga: W przypadku samonośnej wersji rolety ekranowej należy postępować według wariantu A, metody 2.

Wariant A: użycie uchwytu ściana / strop

Metoda 1. Umocowanie kasety z pomocą uchwytów ściana/strop, nasunięcie listew prowadzących na czop ściany bocznej i zabezpieczenie listew prowadzących śrubami.

Metoda 2. Umieszczenie kompletnego zestawu kasety i listew prowadzących do otworu okiennego lub nad nim i zabezpieczenie śrubami (stosuje się w przypadku, kiedy nie ma miejsca do nasunięcia listew prowadzących na czop ściany bocznej, np. z powodu parapetu lub w przypadku samonośnej wersji rolety ekranowej).

METODA 1. Umocowanie kasety z pomocą uchwytów ściana /strop, nasunięcie listew prowadzących na czop ściany bocznej i zabezpieczenie listew prowadzących śrubami.



poziomnica

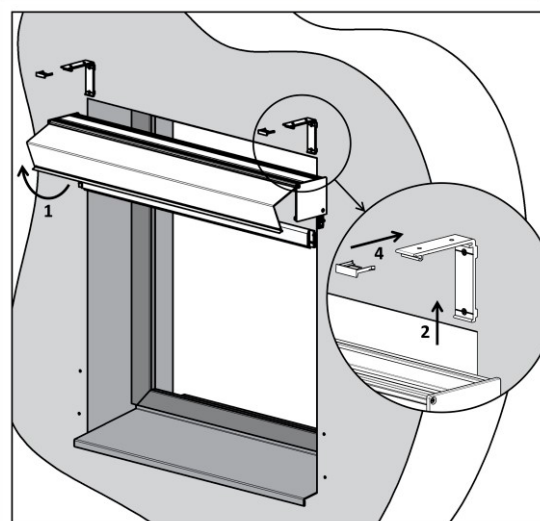
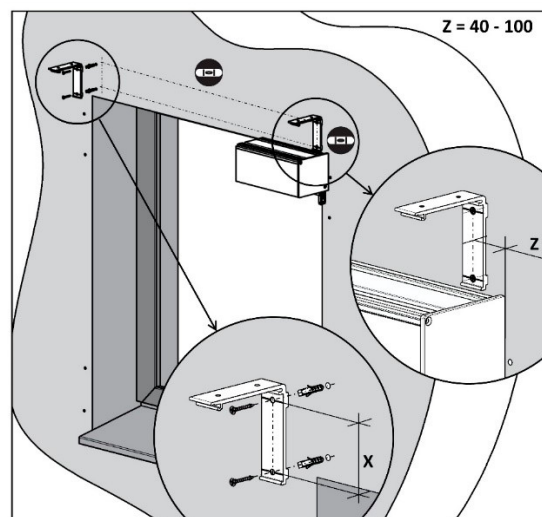
Typ kasety	X
90	52 mm
110	73 mm
150	115 mm

Krok 1: Wywiercenie otworów na uchwyty ściana/strop

1. Umieścić uchwyty ściana/strop na powierzchni montażowej. Górnych otworów użyć do montażu na strop a tylnych otworów do montażu na ścianie.
2. Kasetę musi być doskonale pozioma, dlatego należy upewnić się, że uchwyty ściana/strop są należycie wyrównane. Do tego użyć wagi wodnej i pionu lub innego odpowiedniego narzędzia.
3. Uchwyty ściana/strop muszą być umieszczone w odległości 40-100 mm od krawędzi kasety. Jakikolwiek następnym uchwyty montuje się równomiernie wzdłuż szerokości kasety a ich celem jest zapobieżenie uginaniu szerszych kaset.

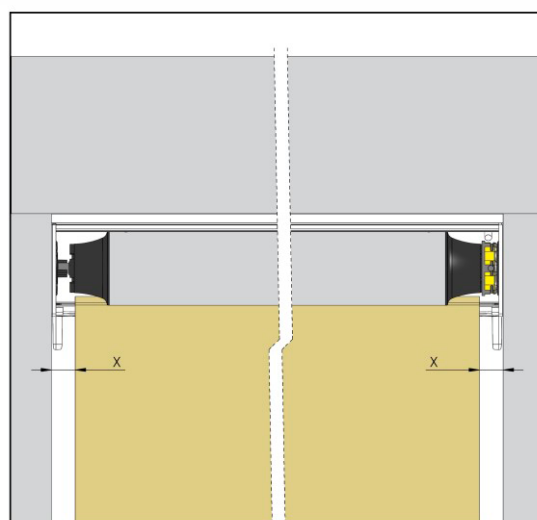
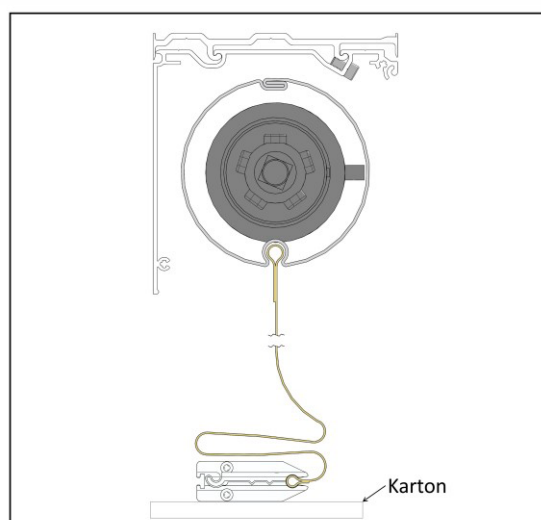
Krok 2: Umocowanie kasety na uchwyt ściana/strop

1. Zdemontować przednie wieko kasety
2. Nasadzić kasetę do uchwytów ściana/strop.
3. Upewnić się, że kasetę jest prawidłowo nasadzona na wszystkich uchwytach
4. Nasadzić i wcisnąć bezpieczniki, które muszą zatrzasnąć się w prawidłowej pozycji

**Krok 3: Wycentrowanie materiału w kasecie**

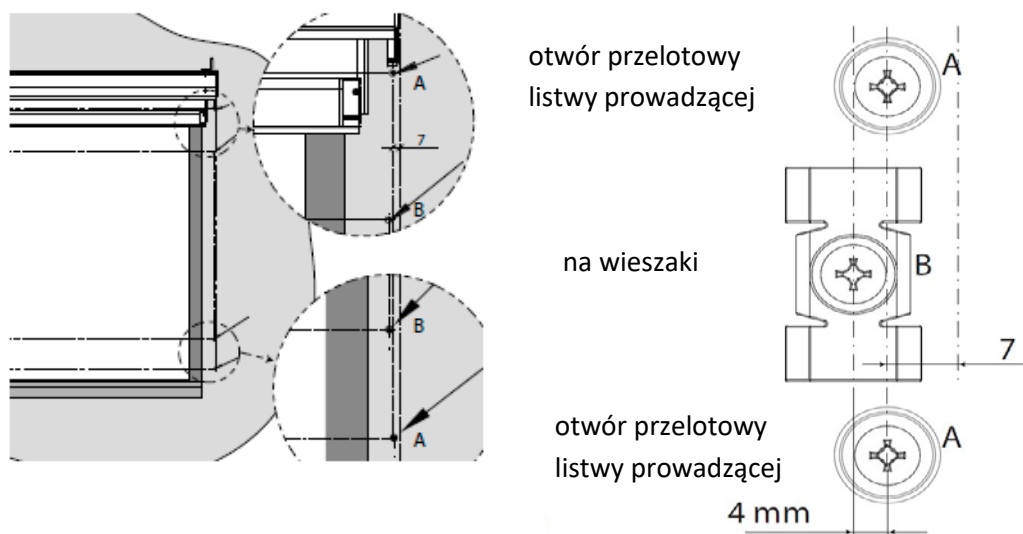
1. Zjechać z materiałem tak, aby całkowicie odwinął się z wałka (materiał zostanie nasunięty w rowku wałka). Dbać przy tym o to, aby nie doszło do zabrudzenia materiału i uszkodzenia profilu dolnego.
2. Wycentrować materiał na wałku tak, aby był na środku kasety (nie na środku wałka)
3. Skontrolować, czy materiał nawija się równo → wykonać 2-3 cykle kontrolne (UWAGA! Nie są nastawione ograniczniki końcowe na silniku!)

Kontrolę ukończyć tak, aby dolna listwa była ok. 15 cm pod kasetą

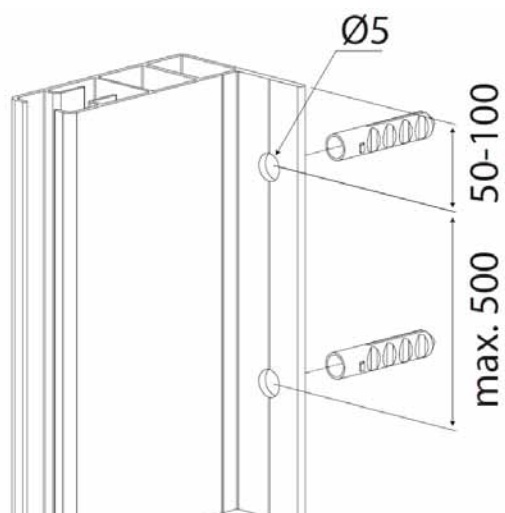


Krok 4: Wywiercenie otworów na listwy prowadzące**Listwy prowadzące A839, A829:**

1. Na ścianie lub innej powierzchni montażowej zaznaczyć otwory, które mają być wiercone.
2. Użyć do tego nawierconych listew prowadzących.
3. A są na rysunku oznaczone otwory do umocowania listew prowadzących.
4. B są na rysunku oznaczone otwory na wieszaki.

**Listwy prowadzące A830, A820:**

Do umocowania listew prowadzących A830, A820 użyć nawierconych otworów w listwach.

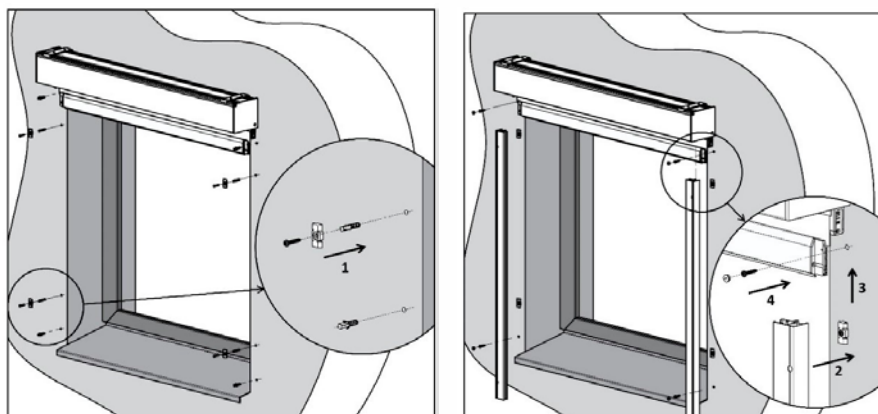
Listwy prowadzące A838, A828, A837:

*A840-1 – patrz instrukcja montażu A840-1

Krok 5: Montaż listew prowadzących

Listwy prowadzące A839, A829:

1. Umocować wieszaki na powierzchni montażowej.
2. Nasadzić czołowo listwy prowadzące na wieszaki.
3. Nasunąć listwy prowadzące na czopy ścian bocznych i upewnić się, że końcówki dolnej listwy prawidłowo zasunęły się do rowków listew prowadzących a zip na materiale zasunął się do plastikowej wkładki w listwie prowadzącej.
4. Przykręcić listwy prowadzące do powierzchni montażowej przez otwory A.



Listwy prowadzące A830, A838, A828, A837:

Nasunąć listwy prowadzące na czopy ścian bocznych i przykręcić do powierzchni montażowej przez otwory A.

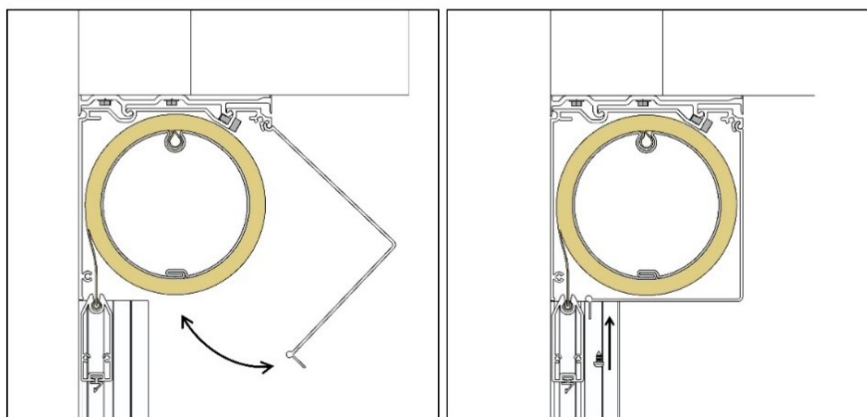
Krok 6: Nasadzenie przedniego wieka

Zamontować z powrotem przednie wieko kasety.

Po zamontowaniu żaluzji konieczne jest z boku



zdejmij zacisk kablowy.



Krok 7: Nastawienie silnika

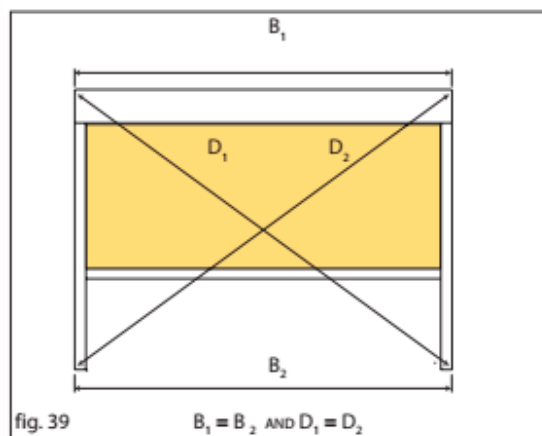
Nastawić ograniczniki końcowe silnika w zależności od typu silnika (patrz Instrukcja silnika)

Krok 8: Kontrola montażu

Zawsze upewnić się, że roleta jest prawidłowo zamontowana:

1. Najpierw sprawdzić, czy kasetka jest zamontowana poziomo.
2. Sprawdzić, czy obie listwy prowadzące są wzajemnie równoległe i jednocześnie prostopadłe do kasetki.
3. Zmierzyć i porównać wzajemnie przekątne z dokładnością do milimetrów.

Jeżeli kasetka i listwy prowadzące nie są prawidłowo zamontowane, dolna listwa będzie zawsze nawijać się do kasetki ukośnie, co spowoduje pofałdowanie materiału lub jego wyrywanie z plastikowej wkładki w listwie prowadzącej.



Metoda 2. Umieszczenie kompletnego zestawu kasetki i listew prowadzących do otworu okiennego lub nad nim i zabezpieczenie śrubami (stosuje się w przypadku, kiedy nie ma miejsca do nasunięcia listew prowadzących na czop ściany bocznej, np. z powodu parapetu lub samonośnej wersji rolety ekranowej).

Krok 1: Wywiercenie otworów na uchwyty ściana/strop

1. Umieścić uchwyty ściana/strop na powierzchni montażowej. Górnych otworów użyć do montażu na strop a tylnych otworów do montażu na ścianę.
2. Kasetka musi być doskonale pozioma, dlatego trzeba się upewnić, że uchwyty ściana/strop są należycie wypoziomowane. Do tego użyć wagi wodnej i pionu, lub innego odpowiedniego narzędzia.
3. Uchwyty ściana/strop muszą być umieszczone w odległości 40-100 mm od krawędzi kasetki. Jakikolwiek następne uchwyty montuje się równomiernie wzdłuż szerokości kasetki a ich celem jest zapobieżenie uginaniu się szerszych kaset.

W razie wersji samonośnej opuścić krok 1 i kontynuować od kroku 2.

Krok 2: Wywiercenie otworów na listwy prowadzące**Listwy prowadzące A839, A829:**

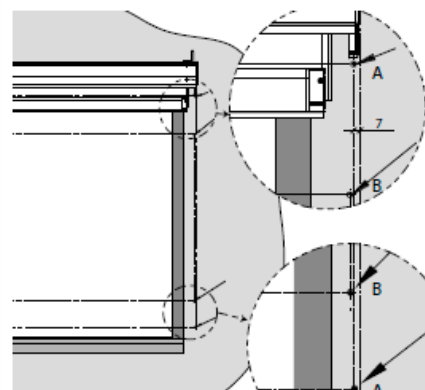
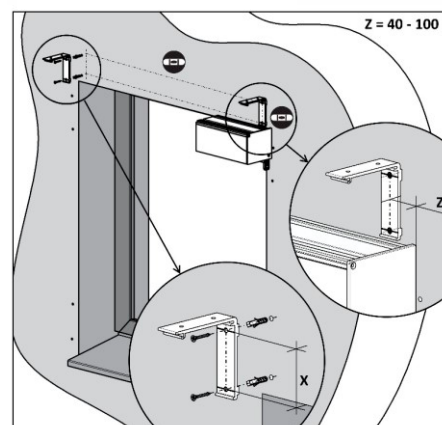
1. Na ścianie lub innej powierzchni montażowej zaznaczyć otwory, które mają być wiercone. Użyć do tego nawierconych listew prowadzących.
2. A są na rysunku oznaczone otwory do umocowania listew prowadzących.
3. B są na rysunku oznaczone otwory na wieszaki.

Umocować wieszaki na powierzchni montażowej.



poziomnica

Typ kasetki	X
90	52 mm
110	73 mm
150	115 mm



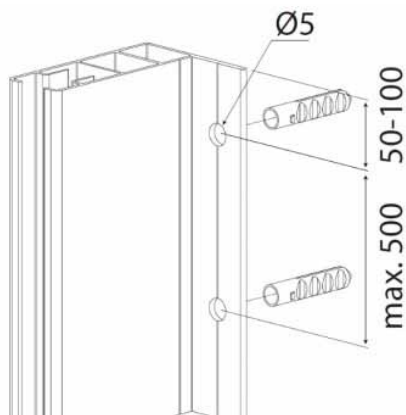
Listwy prowadzące A830:

Do umocowania listw prowadzących A830 użyć nawierconych otworów w listwach.

Do montażu listw prowadzących trzeba użyć wkrętów z podkładką lub z większą powierzchnią łba.

Listwy prowadzące A838, A828, A837:

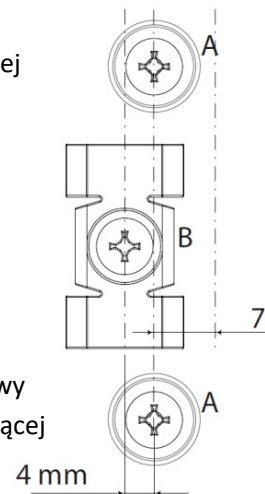
Do montażu listw prowadzących trzeba użyć wkrętów z podkładką lub z większą powierzchnią łba.



otwór przelotowy listwy prowadzącej

na wieszaki

otwór przelotowy listwy prowadzącej



*A840-1 - patrz instrukcja montażu A840-1

Krok 3: Nasunięcie listw prowadzących na czopy ścian bocznych

1. Położyć kasetę na kartonowe opakowanie (dbać o to, aby nie uszkodzić wykończenia powierzchni).
2. Następnie nasunąć nawiercone listwy prowadzące na czopy ścian bocznych.
3. Upewnić się, że końcówki dolnej listwy są prawidłowo zasunięte do rowków listw prowadzących a zip na materiale zasunął się do plastikowej wkładki w listwie prowadzącej.

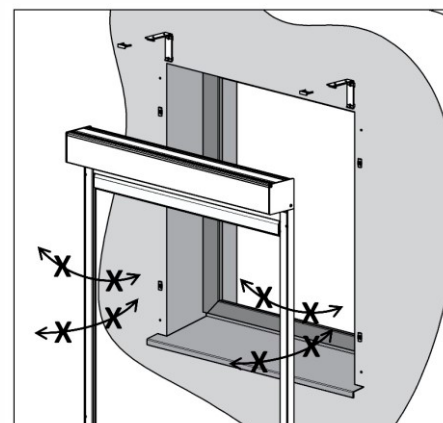
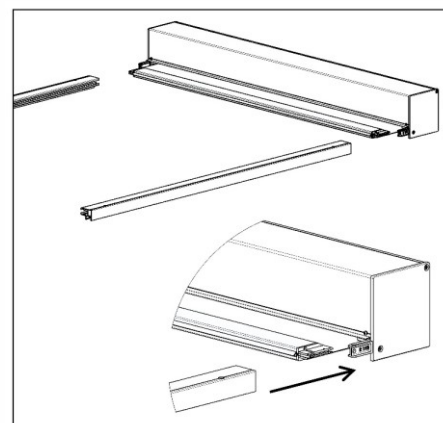
Krok 4: Osadzenie kasety i listw prowadzących

Podnieść kasetę z listwami prowadzącymi. Przeprowadzać to powinny min. 2 osoby w zależności od całkowitej szerokości kasety. Umieścić kompletny zestaw do otworu okiennego.

Do montażu listw prowadzących trzeba użyć wkrętów z podkładką lub z większą powierzchnią łba.

Podczas montażu trzeba zachować szczególną ostrożność, aby nie doszło do złamania trzpienia ściany bocznej.

W samonośnej wersji rolety nie używa się profilu montażowego ani uchwytu „ściana-strop“, zatem jest naturalne nieznaczne ugięcie kasety na szerokości rolety. To ugięcie wytwarza optyczną szczelinę między górną krawędzią kasety i sufitem, gdzie jest zamontowana samonośna roleta ekranowa.



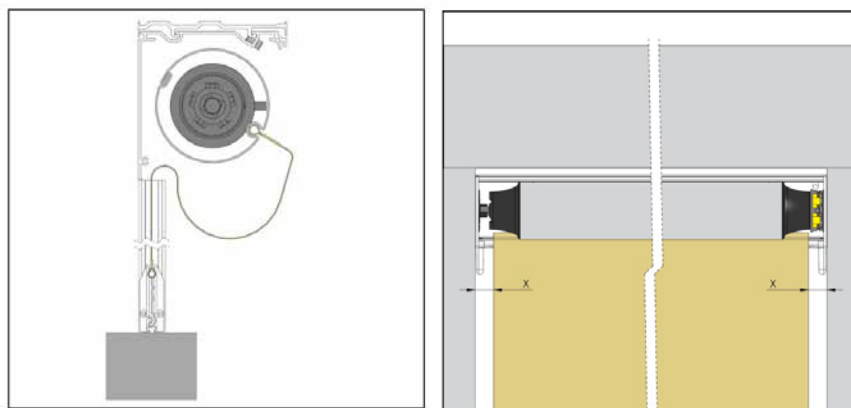
Uwaga! Uważać, aby nie odłamać czopów posuwając listwy prowadzące za bardzo do przodu, do tyłu lub w bok.

Krok 5: Umocowanie kasety na uchwyty ściana/strop i przykręcenie listew prowadzących

1. Nasadzić kasetę do uchwytów ściana/strop.
2. Upewnić się, że kasetka jest prawidłowo nasadzona na wszystkich uchwytach.
3. Nasadzić i wcisnąć bezpieczniki, które muszą zatrzasnąć się w prawidłowej pozycji.
4. W przypadku listew prowadzących A839,829 nasadzić je czołowo na wieszaki i przykręcić do powierzchni montażowej przez otwory A.
5. W przypadku listew prowadzących A830, A838, A837, A828 przykręcić je do powierzchni montażowej przez otwory A

Krok 7: Nastawienie silnika**Krok 6: Wycentrowanie materiału w kasecie**

1. Zjechać materiałem tak, aby całkowicie odwinął się z wałka (materiał zostanie nasunięty w rowku wałka). Dbać przy tym o to, aby nie doszło do zabrudzenia materiału i uszkodzenia dolnego profilu.
2. Wycentrować materiał na wałku tak, aby był pośrodku kasety (nie pośrodku wałka)
3. Skontrolować, czy materiał nawija się równo → wykonać 2-3 cykle kontrolne (UWAGA! Nie są nastawione ograniczniki końcowe na silniku!)
Kontrolę ukończyć tak, aby listwa dolna była ok. 15 cm pod kasetą.



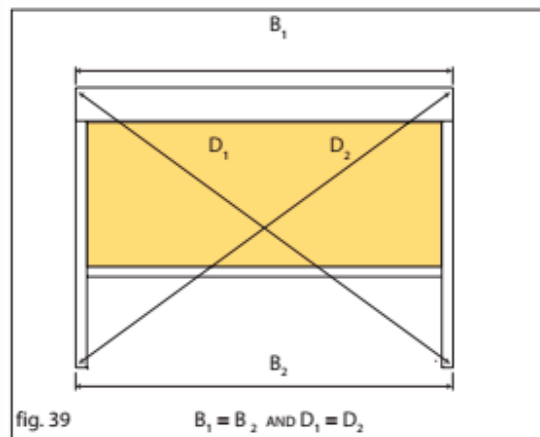
Nastawić ograniczniki końcowe silnika w zależności od typu silnika (patrz Instrukcja silnika)

Krok 8: Kontrola montażu

Zawsze upewnić się, że roleta jest prawidłowo zamontowana:

1. Najpierw sprawdzić, czy kasetka jest zamontowana poziomo.
2. Sprawdzić, czy obie listwy prowadzące są wzajemnie równoległe i jednocześnie prostopadłe do kasety.
3. Zmierzyć i porównać wzajemnie przekątne z dokładnością do milimetrów.

Jeżeli kasetka i listwy prowadzące nie są prawidłowo zamontowane, dolna listwa będzie zawsze nawijać się do kasety ukośnie, co spowoduje pofałdowanie materiału lub jego wrywanie z plastikowej wkładki w listwie prowadzącej.

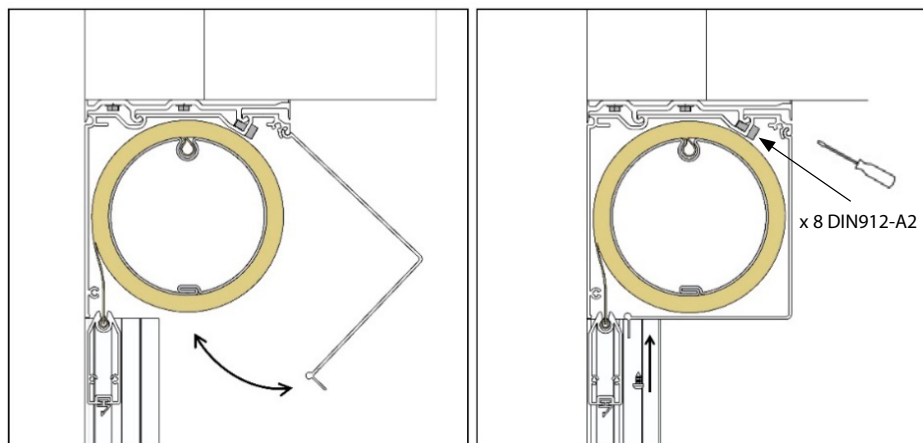
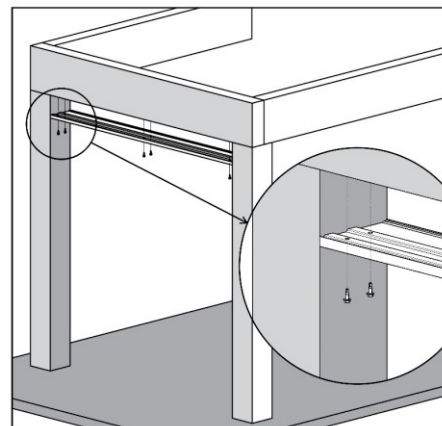


Wariant B: użycie profilu montażowego**Krok 1: Umocowanie profilu montażowego**

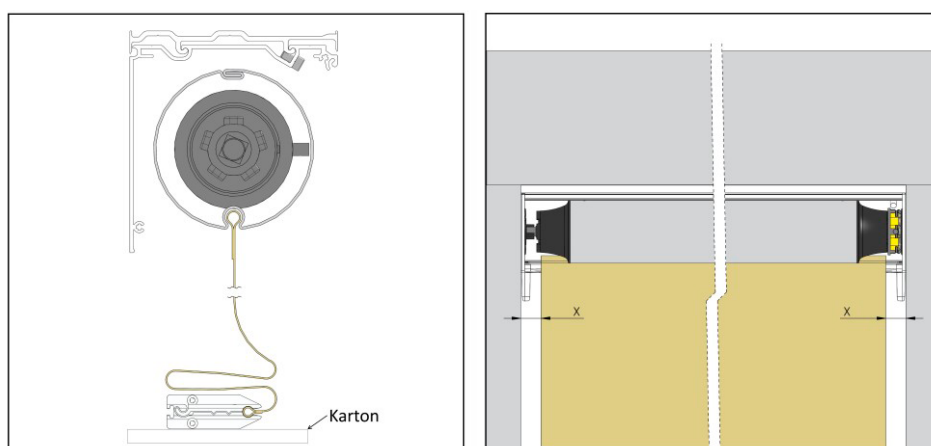
1. Umieścić profil na powierzchni montażowej i zaznaczyć miejsca według nawierconych otworów. Powierzchnia montażowa musi być doskonale pozioma!
2. Nawiercić otwory według użytego materiału łącznego i przykręcić profil montażowy.

Krok 2: Umocowanie kasety na profil montażowy

1. Zdemonstrować przednie wieko kasety
2. Nasadzić kasetę do profilu montażowego
3. Upewnić się, że kasetka jest prawidłowo nasadzona na całej długości w obu zamkach.
4. Przykręcić załączone śruby M4 do nawierconych otworów w kasecie.

**Krok 3: Wycentrowanie materiału w kasecie**

1. Zjechać materiałem tak, aby całkowicie odwinął się z wałka (materiał zostanie nasunięty w rowku wałka). Dbać przy tym o to, aby nie doszło do zabrudzenia materiału i uszkodzenia dolnego profilu.
2. Wycentrować materiał na wałku tak, aby był pośrodku kasety (nie pośrodku wałka)
3. Skontrolować, czy materiał nawija się równo → wykonać 2-3 cykle kontrolne (UWAGA! Nie są nastawione ograniczniki końcowe na silniku!)
Kontrolę ukończyć tak, aby dolna listwa była ok.. 15 cm pod kasetą.



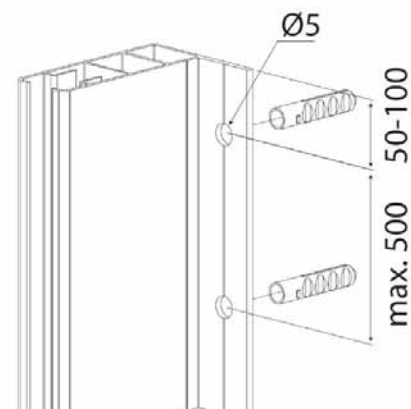
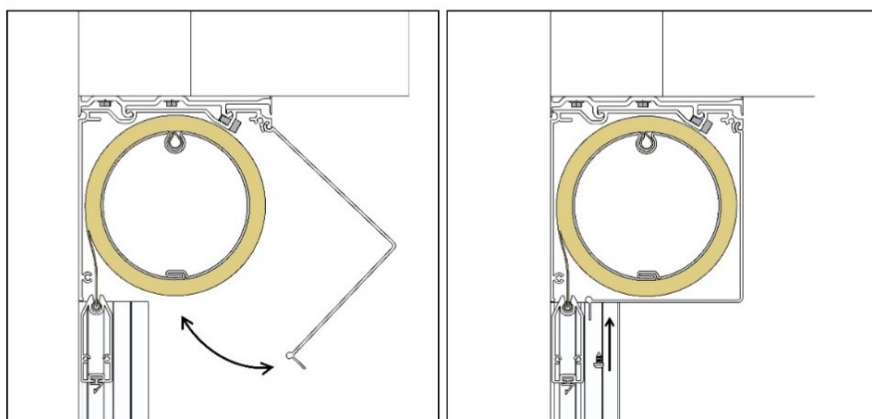
Krok 4: Montaż listw prowadzących

1. Nasunąć listwy prowadzące na czopy ścian bocznych.
2. Upewnić się, że końcówki dolnej listwy są prawidłowo zasunięte do rowków listw prowadzących a zip na materiale zasunął się do plastikowej wkładki na listwie prowadzącej.
3. Przykręcić listwy prowadzące.

Krok 5: Nasadzenie przedniego wieka

Zamontować z powrotem przednie wieko kasety.

Po zamontowaniu żaluzji konieczne jest z boku zdejmij zacisk kablowy.

**Krok 6: Nastawienie silnika**

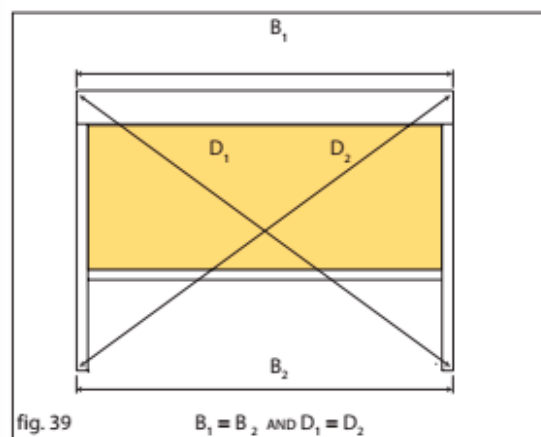
Nastawić ograniczniki końcowe silnika w zależności od typu silnika (patrz. Instrukcja silnika)

Krok 7: Kontrola montażu

Zawsze upewnić się, że roleta jest prawidłowo zamontowana:

1. Najpierw sprawdzić, czy kasetka jest zamontowana poziomo.
2. Sprawdzić, czy obie listwy prowadzące są wzajemnie równoległe i jednocześnie prostopadłe do kasety.
3. Zmierzyć i porównać wzajemnie przekątne z dokładnością do milimetrów.

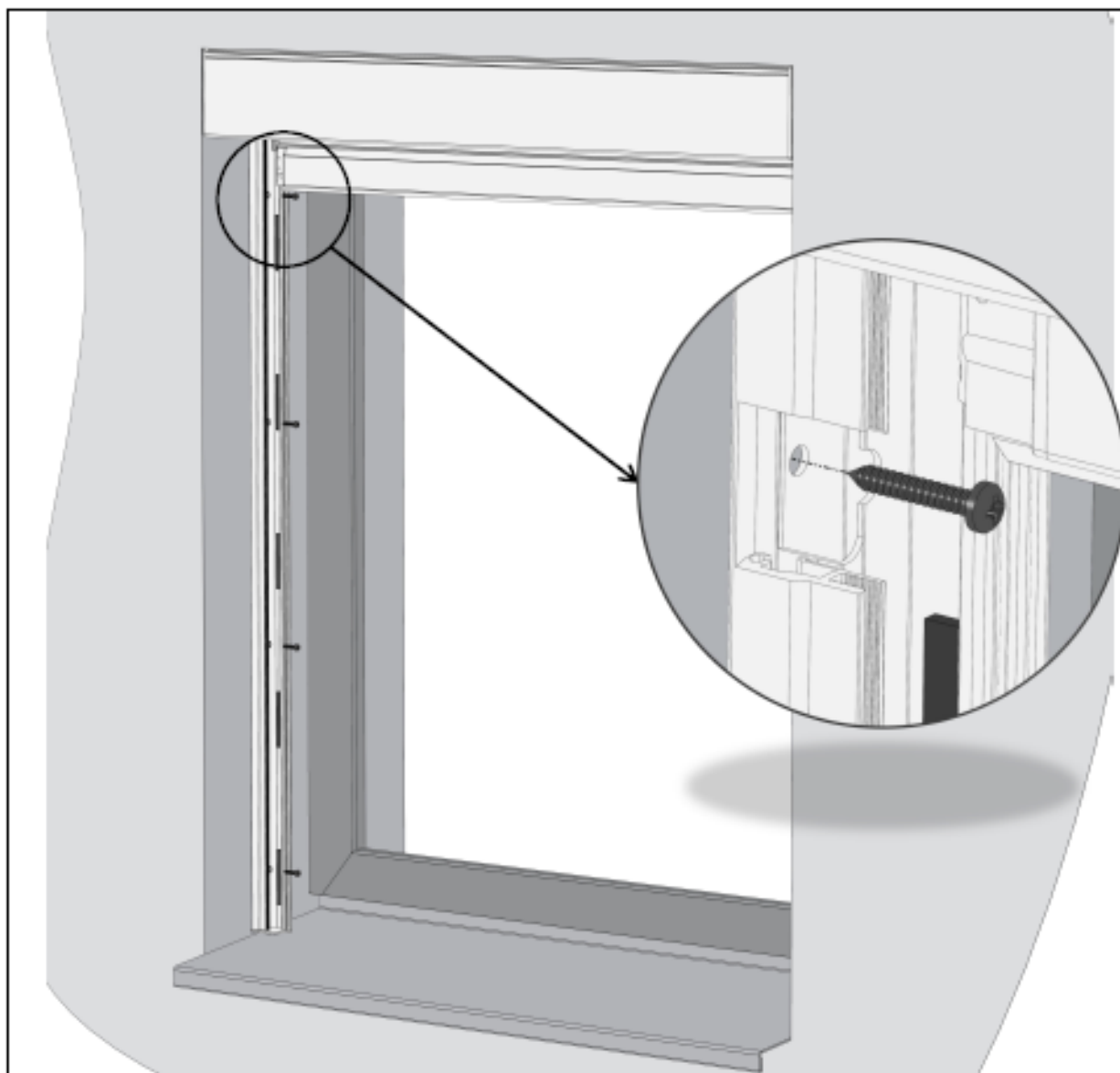
Jeżeli kasetka i listwy prowadzące nie są prawidłowo zamontowane, dolna listwa będzie zawsze nawijać się do kasety ukośnie, co spowoduje pofałdowanie materiału lub jego wyrywanie z plastikowej wkładki w listwie prowadzącej.



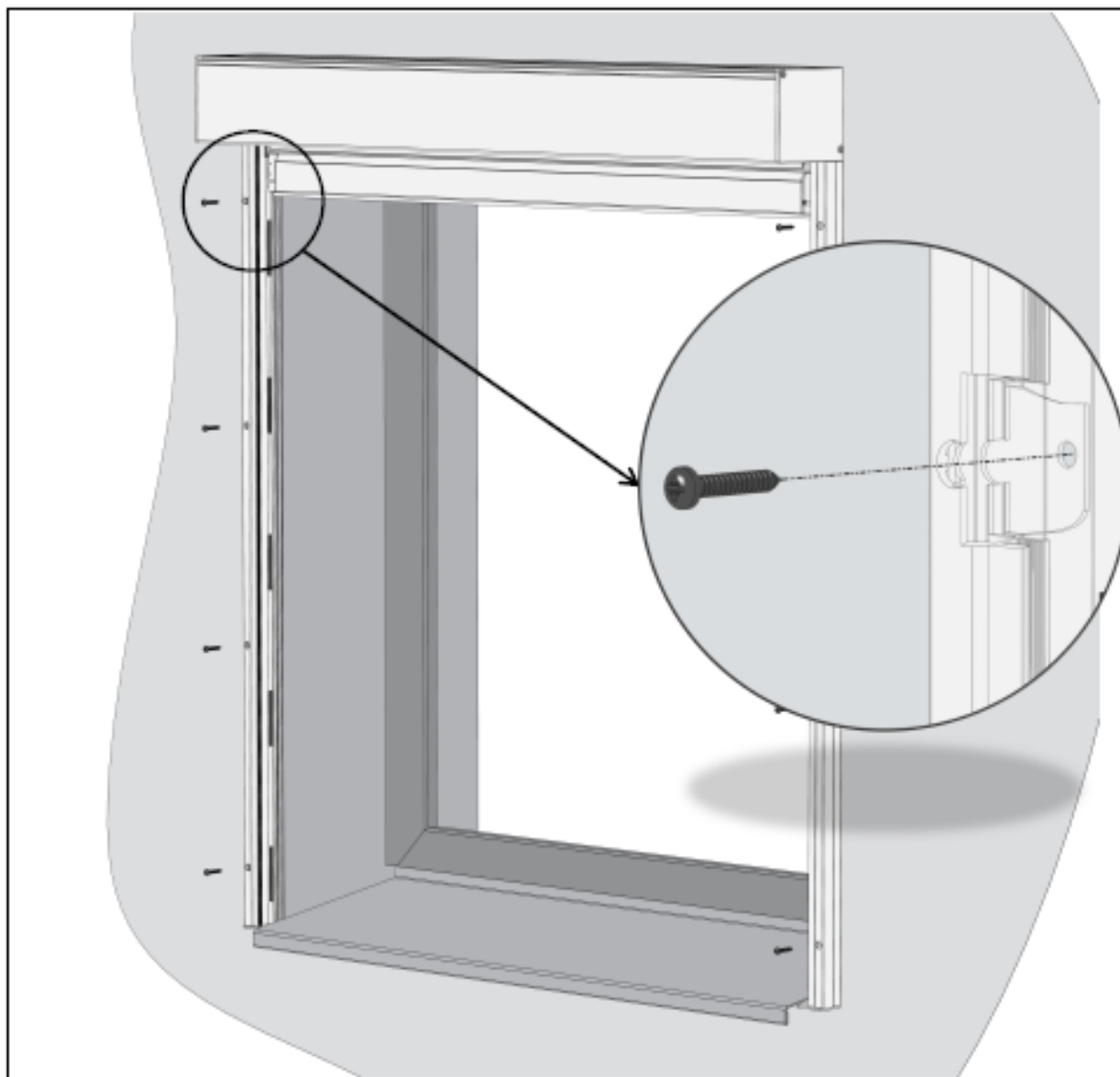
* Montaż - składana listwa prowadząca A840-1

1. Montaż listwy prowadzącej

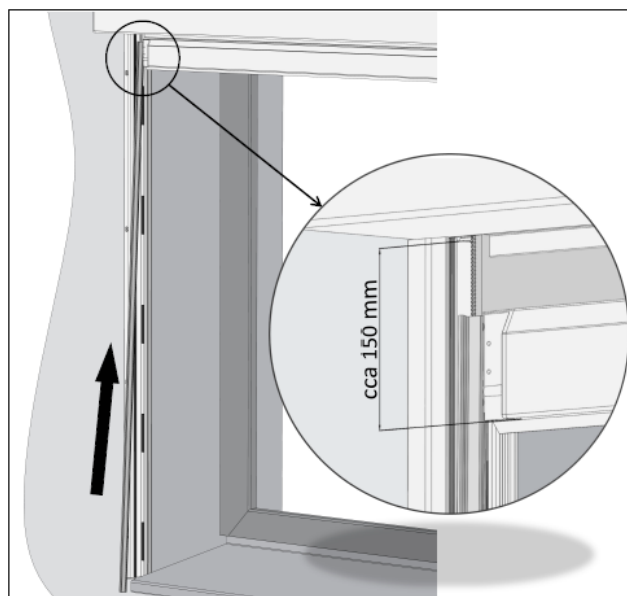
1.a Boczny montaż listwy prowadzącej



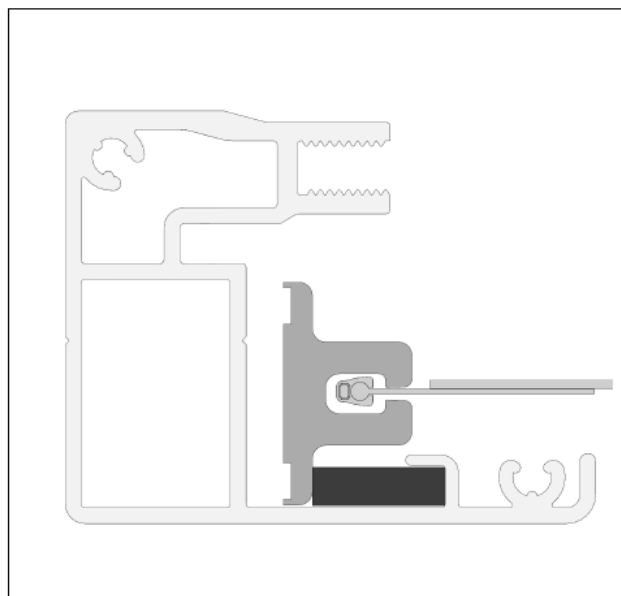
1.b Przedni montaż listwy prowadzącej



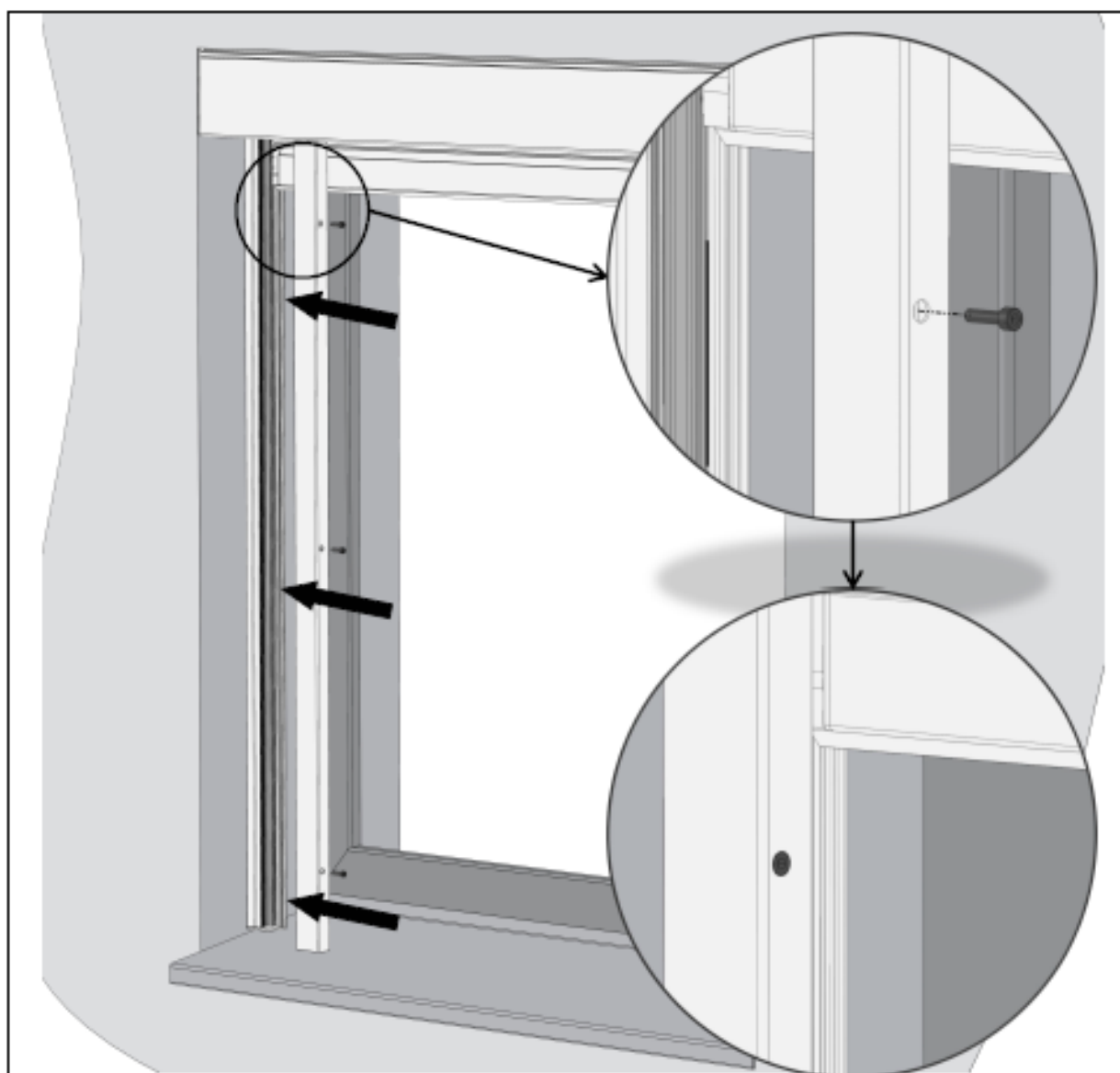
2. Nasadzenie profilu zipowego



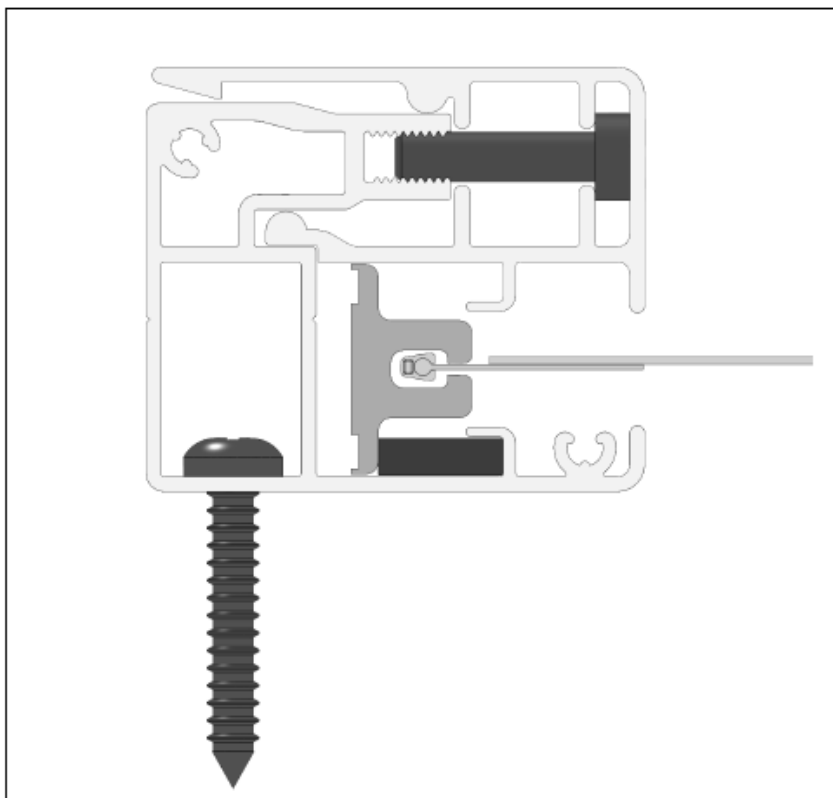
Przekrój listwy A840-1 po nasadzeniu profilu zipowego



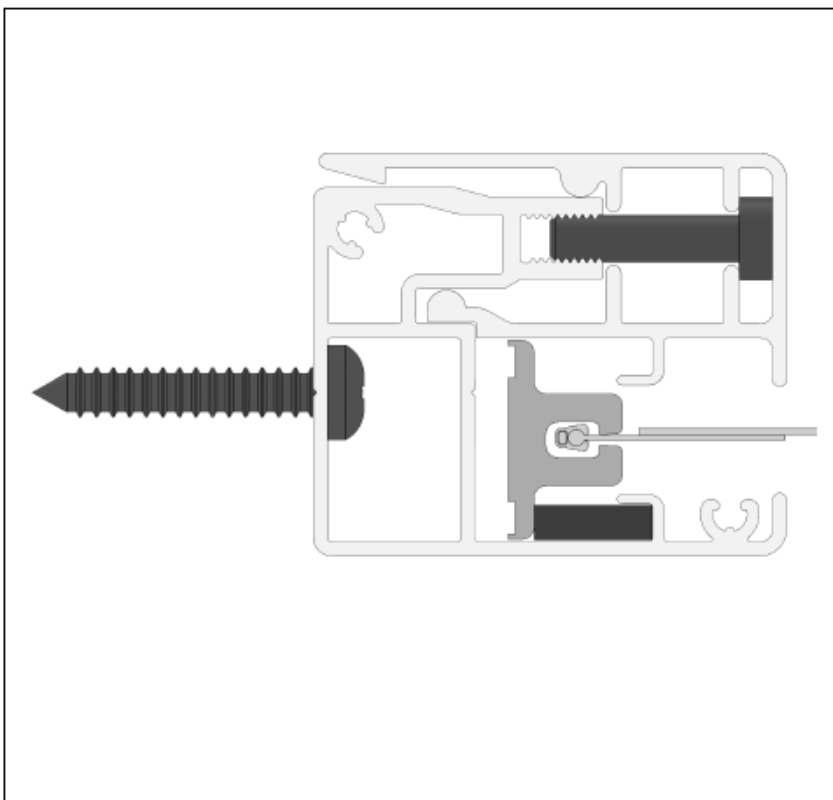
3. Nasadzenie zamknięcia A840-1



3.a Przekrój listwy prowadzącej A840-1 po montażu przednim



3.a Przekrój listwy prowadzącej A840-1 po montażu bocznym



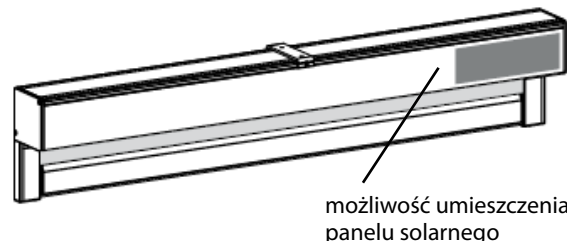
SCREEN ALFA-ZIP SOLAR

Roleta ekranowa z zasilaniem solarnym jest unikatową i w pełni zautomatyzowaną roletą, która jest obsługiwana bezprzewodowo i ma zerowe zużycie energii. Ta roleta działa na zasadzie tzw. zjawiska fotowoltaicznego – tj. przemiany promieniowania słonecznego na energię elektryczną. Chodzi o ekologiczne i energetycznie najoszczędniejsze rozwiązanie napędu rolet. Napęd jest zasilany z akumulatora o długiej żywotności doładowywanego z panelu solarnego, który działa przy każdej pogodzie.

Jedna jednostka solarna jest dostosowana do zasilania tylko jednej rolety ekranowej.

Parametry tego wyrobu z silnikiem SUNEА:

- kasetę tylko prostokątną
- rura $\varnothing 55, \varnothing 67, \varnothing 85$
- standard - akumulator wewnętrzny tylko dla kasety 150
- opcjonalnie - użycie zewnętrznego akumulatora dla kasety 90 i 110
- panel solarny jest zawsze na stronie silnika
- montaż typu B-BE (do szpalety) nie jest możliwy
- możliwość kilku rolet we wspólnej kasecie pod warunkiem, że każda roleta będzie miała własny silnik i akumulator zewnętrzny
- tylko dolny profil 18x50.



Parametry tego wyrobu z silnikiem ISOTRA BASIC:

- kasetę tylko prostokątną, 110, 150
- rura $\varnothing 85, 100$
- standard - akumulator wewnętrzny (zewnętrznie silnika)
- panel solarny jest zawsze na stronie silnika
- montaż typu B-BE (do szpalety) nie jest możliwy
- możliwość kilku rolet we wspólnej kasecie pod warunkiem, że każda roleta będzie miała własny silnik
- tylko dolny profil 18x50.

Standardowe wymiary dla kasety 90

Obsługa	Szerokość (mm)		Wysokość (mm)		Gwarantowana powierzchnia (m ²)
	min.	maks.	min.	maks.	maks.
system solarny Sunea	595	2500	400	3000	8
system samonośny	795	1500	400	2500	8

Zestawu Isotra Basic Solar nie można stosować do skrzynki 90.

Standardowe wymiary dla kasety 110

Obsługa	Szerokość (mm)		Wysokość (mm)		Gwarantowana powierzchnia (m ²)
	min.	maks.	min.	maks.	maks.
system solarny Isotra Basic	795	4200	400	3500	15
system solarny Sunea	595	3200	400	3500	8
system samonośny	795	3500	400	3000	15

Standardowe wymiary dla kasety 150

Obsługa	Szerokość (mm)		Wysokość (mm)		Gwarantowana powierzchnia (m ²)
	min.	maks.	min.	maks.	maks.
system solarny Isotra Basic	795	6000	400	5000	18
system solarny Sunea	595	3500	400	3500	8

Zestaw solarny ISOTRA BASIC:

- silnik ISOTRA BASIC SOLAR 20/12
- panel solarny ISOTRA BASIC
- wbudowany akumulator Li-on 12V, 5200 mAh
- ładowarka ISOTRA BASIC
- pilot ISOTRA BASIC
- Smart Zigbee

nazwa pozycji	nazwa handlowa	numer rysunku
silnik ISOTRA BASIC Solar 20/12	X.AM45C	6-019352-0020
Panel solarny ISOTRA BASIC	X.AC605-03	6-019694-0000
pilot ISOTRA BASIC, 1-kanal, Zigbee - srebrny	X.AC153-01	6-019351-0001
pilot ISOTRA BASIC, 16-kanal, Zigbee - srebrny	X.AC153-06	6-019351-0006
ładowarka ISOTRA BASIC, DC12, 6V	X.AC-DC12.6V	6-019353-0000
Smart Zigbee	X.AC526-01	6-019354-0000

Zestaw Solarny SUNEА

- silnik Solar kit SUNEА
- panel solarny OximoWireFree resin 3,2 W
- akumulator Oximo WireFree, NiMH 12V, 2,2 Ah
- Kabel adaptera Oximo WireFree Wiring Harness

nazwa pozycji	nazwa handlowa	numer rysunku
silnik SOLAR KIT „SUNEА 40 io“ 6/18	X.1241890	6-018887-0006
silnik SOLAR KIT „SUNEА 40 io“ 10/12	X.1241891	6-018887-0010
silnik SOLAR KIT „SUNEА 40“ 6/18 RTS DC	X.1241478	6-017545-0006
silnik SOLAR KIT „SUNEА 40“ 10/12 RTS DC	X.1241479	6-017545-0010
Kabel OXIMO WIREFREE WIRING HARNESS	X.1783002	6-016472-0000
Oximo WireFree akumulator	X.9015004	6-016469-0000
Panel solarny Oximo 40 WF	X.9019219	6-016467-0000
Uchwyt akumulatora Oximo WF - pár	X.9020878	6-016476-0000

Akumulator Oximo WireFree

- Akumulator Typ NiMH
- Wymiary 420mm x ø 25 mm
- Klasa ochrony IPx4
- Czas ładowania maks. 3,5 godz.

Panel solarny Oximo WireFree

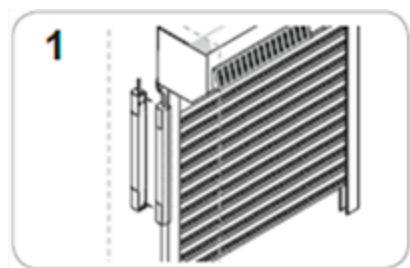
- materiał warstwowy czarny laminat szklany z przezroczystą żywicą epoksydową z technologią fotowoltaiczną
- pobór mocy 3,2 W
- wymiary 470 x 60 x 6 mm
- klasa ochrony X4 (ogniwa światłoczułe: IP67)
- dostarcza energię również przy zachmurzeniu

Możliwość zasilania solarnego:

Akumulator można zainstalować w pomieszczeniu, ale również umieścić na zewnątrz do kasety, ale tak, aby nie był narażony na bezpośrednie działanie czynników środowiska zewnętrznego, na akumulator nie może padać i świecić bezpośrednio słońce. Temperatura robocza wynosi od -20°C do +70°C. Klasa ochrony IP jest X4, co oznacza, że wyrób jest chroniony przed pryskającą wodą pod każdym kątem.

Akumulator Oximo WireFree TM musi być zainstalowany tak, aby był chroniony przed czynnikami pogodowymi. Może być np. umocowany za listwą prowadzącą rolety (1), za kasetą rolety, lub od spodu kasety (2), pod ramą okienną lub w rogu wewnętrznej ściany

- odpowiednie miejsce należy wybrać według umieszczenia, konstrukcji i typu rolety. Uwaga! Akumulator musi być dostępny w jakiegokolwiek pozycji rolety, aby zawsze był dostępny przycisk PROG, aby było możliwe jego utrzymanie, ewentualnie ładowanie ładowarką zewnętrzną lub jego wymiana. Nie zamykać akumulatora do hermetycznej obudowy. Jeżeli akumulator będzie zainstalowany w innej pozycji niż poziomo, wyprowadzenie kabla zasilającego musi być skierowane zawsze w górę.



Baterie są zawsze umieszczone na zewnątrz we wszystkich trzech rozmiarach pudełek - nie wewnątrz pudełka

SCREEN ALFA PLUS-ZIP

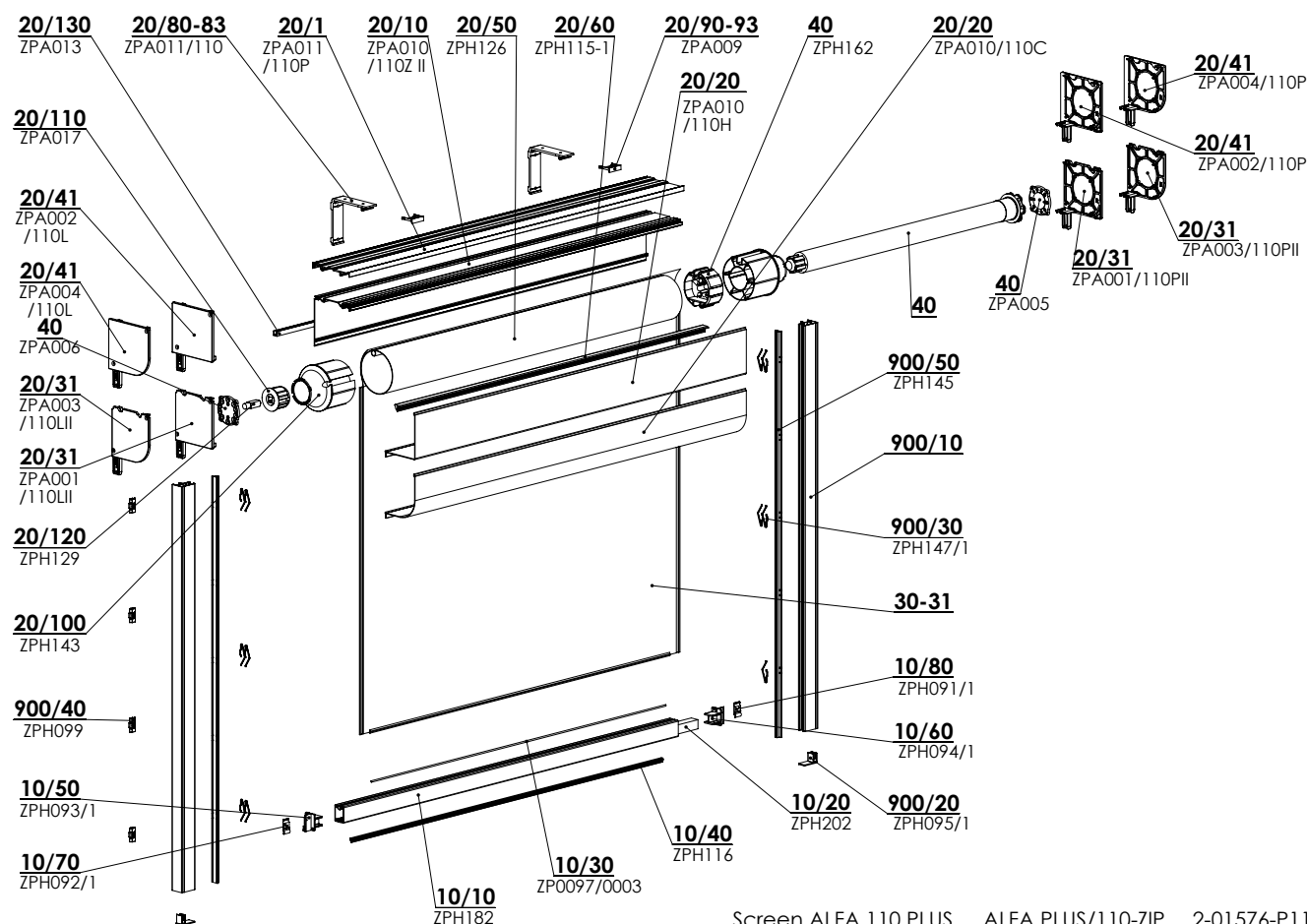


- ▲ 2 typy nowoczesnych kaset: z ostrymi rogami do surowej architektury, lub zaokrąglona do bardziej tradycyjnych budynków
- ▲ wyważona dolna listwa do prowadzenia i napięcia tkaniny
- ▲ Klasa odporności na wiatr 6
- ▲ Prosty i szybki montaż
- ▲ Gwarantowana powierzchnia do 12m².

ISOTRA *Quality*

SCREEN ALFA PLUS-ZIP

Podstawowa specyfikacja produktu



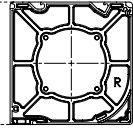
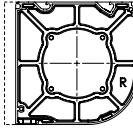
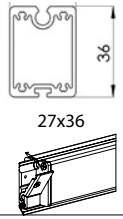
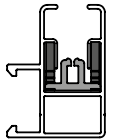
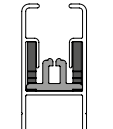

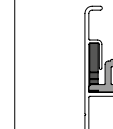
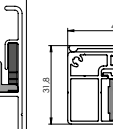
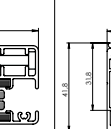
Screen ALFA 110 PLUS ALFA PLUS/110-ZIP 2-01576-P110

Obsługa

Służy do spuszczenia i podnoszenia rolety ekranowej.

Silnik - standardowy asynchroniczny silnik rurowy Maestria Wt, lub opcjonalny asynchroniczny silnik rurowy Maestria iO Geiger.

Specyfikacja (dla silnika)

	Kaseta		Dolny profil duży	Boczne prowadzenie					
	prostokątna	ćwierćokrągła		listwa prowadząca					
Nazwa handlowa	KASETA do SCREEN ALFA PLUS 110		ZPH182	ZPA016/839	ZPA016/830	ZPH214/837	ZPA016/838	ZPA036/840-1	ZPA037/849
Wymiar (mm)	110x110	110x110	27X36	30x40	20x40	40x70	40x40	31,8x40	41,8x40
Materiał	Al	Al	Al	Al	Al	Al	Al	Al	Al
			 27x36						
				typ 839	typ 830	typ 837	typ 838	typ 840-1	typ 849
Kolor	Standardowe: RAL 9006 jasno srebrny RAL 9006S jasno srebrna struktura RAL 9007 ciemno srebrny RAL 9007S ciemno srebrna struktura RAL 9010 biały RAL 9010M biały matowy RAL 7016 antracytowo szary RAL 7016M antracytowo szary matowy			RAL 7016S antracytowo szara struktura RAL 8014 brązowy RAL 8014M brązowy matowy RAL 7021 czarno szary DB 702 Perłowo jasny szary DB 703 Perłowo ciemny szary		pozostałe kolory RAL na życzenie*			

Standardowe wymiary

Obsługa	Szerokość (mm)		Wysokość (mm)		Gwarantowana powierzchnia (m ²)
	min.	maks.	min.	maks.	maks.
Silnik iO, WT	795	4800	400	2500	12

Materiały przeznaczone do ALFA 110 PLUS:

SLTZ86 i SLTZ92

Normalne zjawiska związane z tkaninami technicznymi

Pofałdowanie materiału może wystąpić w okolicy zgrzewu lub pośrodku tkaniny, ponieważ podczas używania na materiał działają różne siły, dlatego to zjawisko jest normalne. Do tego należy tak zwany efekt choinki, kiedy materiał jest pofałdowany w okolicy szwów.

Widoczne odciski wałka na materiale. Znikną one przy wyższej temperaturze, kiedy materiał wyrówna się. Dolna listwa nie dojedzie aż do kasety.

SCREEN ALFA PLUS-ZIP (2-01576-P110)

pozycja	nazwa pozycji	Nazwa handlowa	numer rysunku
10	Profile DZIELONE + komponenty - (SCREEN ALFA +)		patrz Profile DZIELONE + komponenty - (SCREEN ALFA +)
20	KASETA dla SCREEN ALFA + 110 - ĆWIERCOKRĄGŁA		patrz KASETY dla SCREEN ALFA - 110
20	KASETA dla SCREEN ALFA+ 100 - PROSTOKĄTNA		patrz KASETA dla SCREEN ALFA+ 110
30-31	Materiał DZIELONY (m2) dla SCREEN		patrz wzornik SCREEN
40	Silniki (SOMFY, BECKER) SCREEN SC700/800		patrz Silniki (SOMFY, BECKER) SCREEN ALFA
900-910	Prowadzenie - listwa ALFA+ LEWA/PRAWA		patrz Prowadzenie - listwa ALFA+ LEWA/PRAWA

Profile DZIELONE + komponenty - SCREEN ALFA+ 110 (3-03711-PU11)

pozycja	nazwa pozycji	Nazwa handlowa	numer rysunku
10/10	Profil dolny - SC1000	ZPH182	6-015158-0000
10/20	Profil obciążnika dolnej listwy 20x12mm - Zn	ZPH076/1	3-04746-PU27
10/30	Pręt plastikowy 3,0mm PVC	ZP0097/0003	6-016911-0003
10/40	Uszczelka listwy dolnej	ZPH116	6-013974-0000
10/50	Końcówka listwy dolnej - LEWA - CZARNA	ZPH093/1	3-03657-9004
10/60	Końcówka listwy dolnej - PRAWA - CZARNA	ZPH094/1	3-03656-9004
10/70	Bezpiecznik końcówki dolnej listwy - LEWA CZARNA	ZPH092/1	3-03659-9004
10/80	Bezpiecznik końcówki dolnej listwy - PRAWY CZARNY	ZPH091/1	3-03658-9004

KASETA dla SCREEN ALFA+ 110 (2-01640-PU11 prostokątna/ 2-01641-PU11 ćwierćokrągła)

pozycja	nazwa pozycji	Nazwa handlowa	numer rysunku
20/1	Profil Uchwyt Alfa 110 Pergola	ZPA011/110P/1	7-303888-0000
20/10	Profil Kasety Alfa 110 Tylnej	ZPA010/110Z II	7-303491-0000
20/20	Profil Kasety Alfa 110 Przedni Prostokątny	ZPA010/110H	7-303479-0000
20/20	Profil Kasety Alfa 110 Przedni Ćwierćokrągły	ZPA010/110C	7-303480-0000
20/31	Ściana boczna 110 Alfa H1-1 P N	ZPA001/110P/3	3-04130-0000
20/31	Ściana boczna 110 Alfa H1-1 L N	ZPA001/110L/3	3-04131-0000
20/31	Ściana boczna 110 Alfa K1-1 P N	ZPA003/110P/3	3-04132-0000
20/31	Ściana boczna 110 Alfa K1-1 L N	ZPA003/110L/3	3-04133-0000
20/41	Ściana boczna 110 Alfa H1 L N	ZPA001/110L/1	7-304064-0000
20/41	Ściana boczna 110 Alfa H2 P N	ZPA002/110P/1	7-304065-0000
20/41	Ściana boczna 110 Alfa H2 L N	ZPA002/110L/1	7-304066-0000
20/41	Ściana boczna 110 Alfa K2 P N	ZPA004/110P/1	7-304069-0000
20/41	Ściana boczna 110 Alfa K2 L N	ZPA004/110L/1	7-304070-0000
20/50	Wałek nawijania SC800 Al śr. 95mm - 6m	ZPH126	6-014231-0000
20/60	Profil do naprowadzania materiału ALFA	ZPH115-1	7-303663-0000
20/80-83	Uchwyt Alfa 110 Ściana-strop	ZPA011/110	3-03496-0000
20/90-93	Bezpiecznik ściana-strop	ZPA009	3-03483-0000
20/100	Kołpak wałka śr. 95mm	ZPH143	6-014237-0000
20/110	Wkładka końcówki wału - śr. 50mm	ZPA017	3-03486-9004
20/120	Kołek kołpaka wałka - 12mm Fe/Zn	ZPH129	6-013985-0000
20/130	Cienkościenny profil Al - U, 10x10x1,5	ZPA013	6-011349-0000

Silniki (SOMFY) SCREEN ALFA (2-00530-0009)

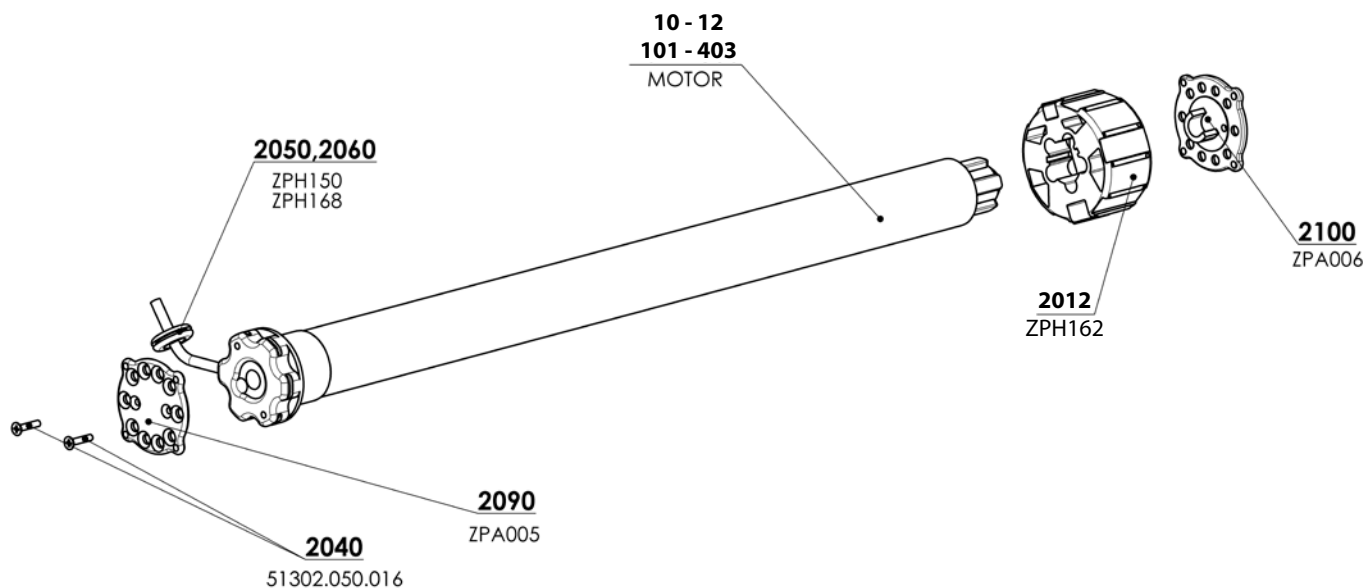
pozycja	nazwa pozycji	Nazwa handlowa	numer rysunku
40	Zabierak LT50 HI - śr. 95mm	ZPH162	6-014327-0000
40	Płyta łożyska płaska	ZPA005	3-03484-9004
40	Płyta łożyska z klipem	ZPA006	3-03485-9004

Vedení - lišta ALFA+ LEVÉ/PRAVÉ (2-01642-PU11)

pozycja	nazwa pozycji	Nazwa handlowa	numer rysunku
900/20	Końcówka VL - 40 mm	ZPH095/1	3-03667-9004
900/30	Sprężyna VL ZIP SC800	ZPH147/1	7-303662-0000
900/40	Clip VL ZIP SC800	ZPH099	6-013993-0000
900/50	Profil prowadzący SC800 do zipu v3	ZPH145	6-014155-0000

SCREEN ALFA PLUS-ZIP

Obsługa Silnik

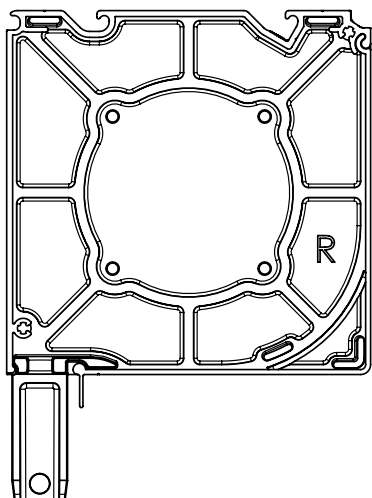
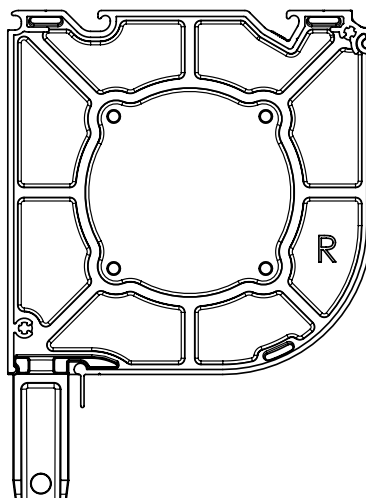
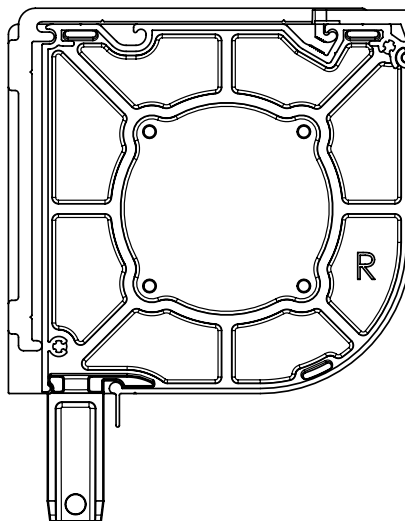
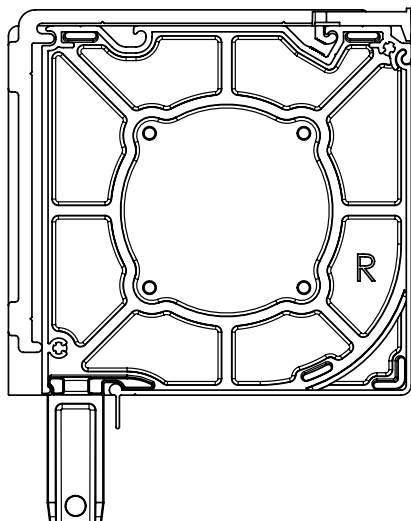


Silniki (SOMFY) Screen ALFA (2-00530-0009)

pozycja	nazwa pozycji	Nazwa handlowa	numer rysunku
10	Silnik Geiger Solid Line Zip AIR 6/16	PR0790/06	6-015903-0006
11	Silnik Geiger Solid Line Zip AIR 10/16	PR0790/10	6-015903-0010
12	Silnik Geiger Solid Line Zip AIR 20/16	PR0790/20	6-015903-0020
301-303	Silnik MAESTRIA +50 IO	ZP0084/1	6-012538-xxxx
401-403	Maestria +50 WT	ZP0093/06	6-015258-xxxx
2040	Wkręt 4,8x19 DIN 7982, łeb wpuszcz. krzyżowy	51302.050.016	6-013928-0000
2050	Przepust kabla GUMOWY śr.7	ZPH150	6-014339-0000
2060	Zacisk kablowy 300x4,8 - CZARNY	ZPH168	6-014438-0000
2090	Płyta łożyska płaska	ZPA005	3-03484-9004
2100	Płyta łożyska z klipem	ZPA006	3-03485-9004
2012	Zabierak LT50 HI - śr. 95mm	ZPH162	6-014327-0000

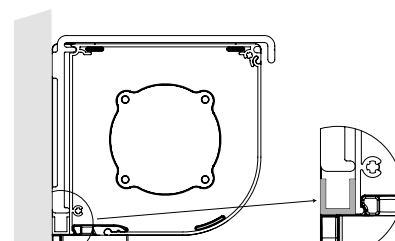
SCREEN ALFA PLUS-ZIP

Specyfikacja techniczna

Kaseta prostokątna 110x110
(2-01640)**Profil górny - prostokątny - z rozszerzoną ścianą boczną****Kaseta ćwierćokrągła 110x110**
(2-01641)**Profil górny - ćwierćokrągły - z rozszerzoną ścianą boczną****Tylne części kasety****Profil U- poziomy**

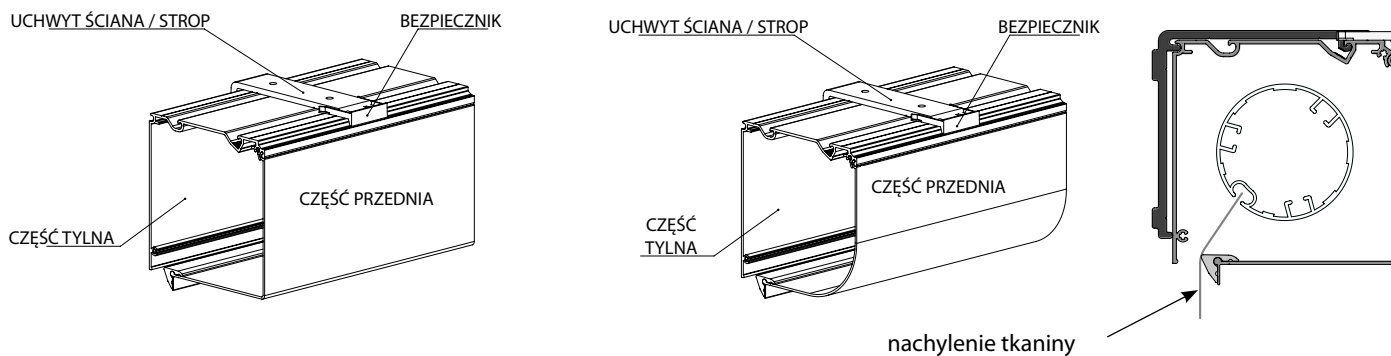
Szczelinę między kasetą i ścianą można wypełnić poziomo z pomocą profilu U o wymiarach 10 x 10 x 10 mm, długość jest dana szerokością kasety.

Przeznaczenie: - przy listwie prowadzącej A839



Profil U- poziomy

Uchwyt ściana / strop



Materiał: ekstrudowane aluminium z lakierem proszkowym
Dla instalacji wszystkich wielkości profilu górnego niezależnie od listew prowadzących:

Standardowa liczba uchwytów ściana/strop:

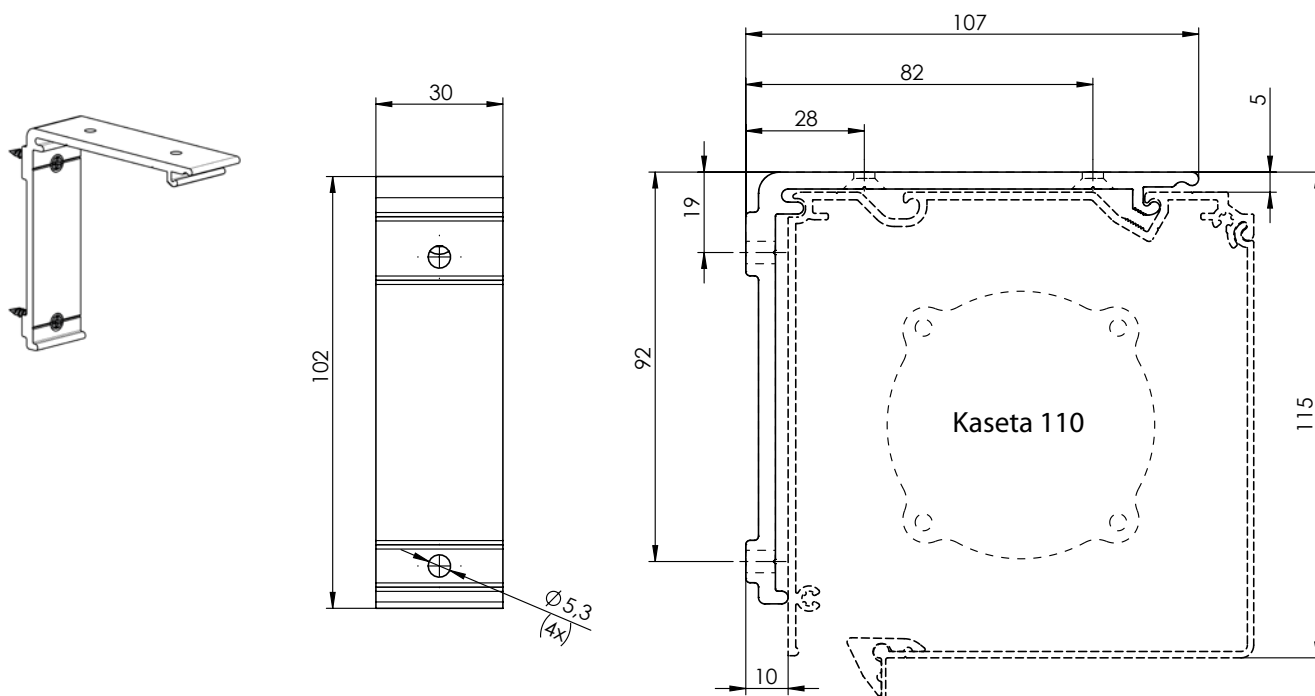
Szerokość rolety (mm)	Kaseta 110
0-1500	2ks
1501 - 3000	3ks
3001 - 4500	4ks
4501 - 5000	5ks

Jeżeli jest użyty uchwyt ściana/strop, zalecamy użycie listwy prowadzącej typu A839.

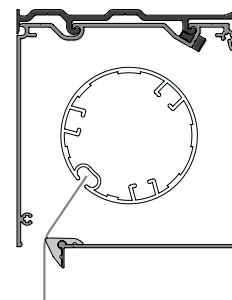
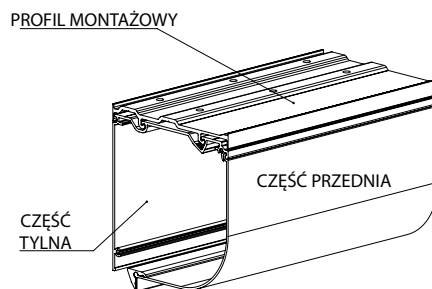
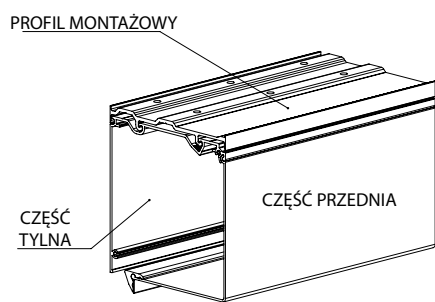
Szerokość uchwytu ściana/strop: 30 mm

Posuwa tylną stronę górnego profilu o 10 mm do przodu tak samo, jak zawieszenia listew prowadzących.

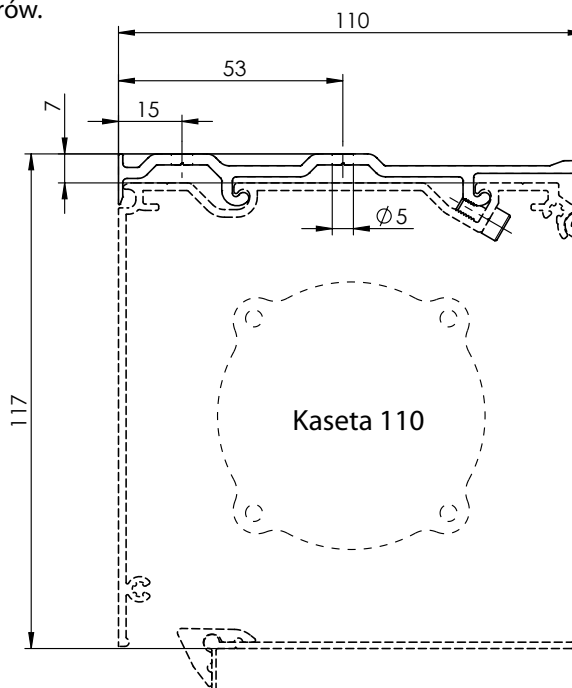
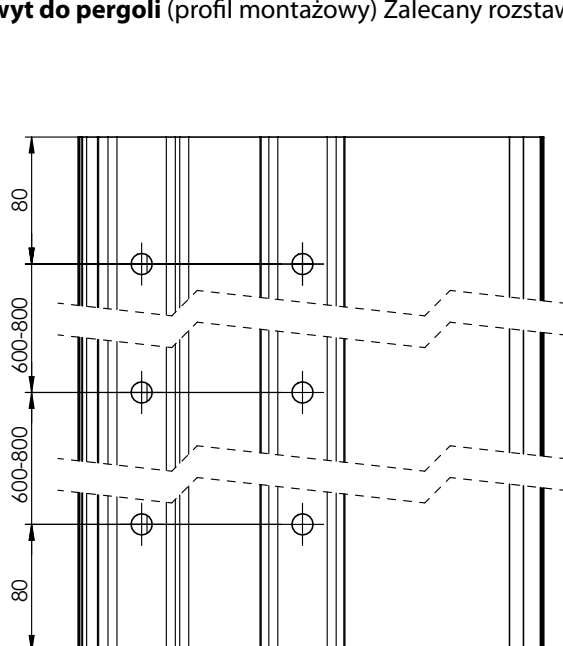
Uchwyt ściana / strop



Uchwyt na pergole (profil montażowy)



Uchwyt do pergoli (profil montażowy) Zalecany rozstaw otworów.



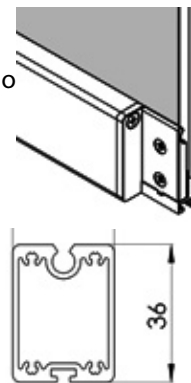
Profil dolny (6-015158-0000)

Dolny profil składa się z dwuczęściowego (lewego i prawego) bloku ślizgowego i profilu z ekstrudowanego aluminium lakierowanego proszkowo.

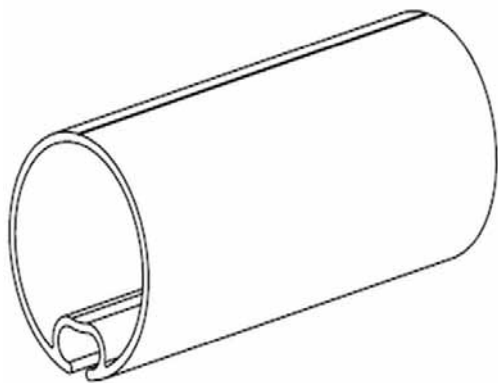
Profil posiada:

- Rowek do bezśrubowego umocowania materiału z pomocą pręta $\varnothing 3$ mm
- Komorę na pasek usztywniający
- Rowek na spodniej stronie do włożenia gumowego zderzaka (można go zastąpić szczotką)

Podwójny blok ślizgowy zapewnia prawidłowe napięcie materiału.

**Walek nawijający, śr. 95mm**

(6-014231-0000)



Materiał: stal ocynkowana dla rur $\varnothing 95$ mm.

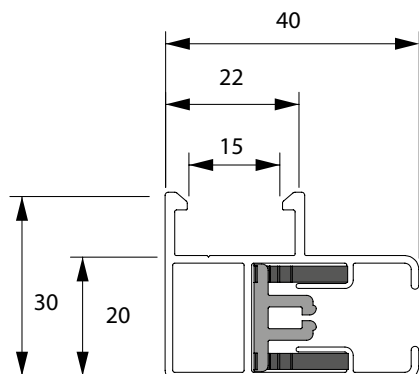
Posiada rowek do umocowania materiału z pomocą plastikowego pręta $\varnothing 6$ mm.

Listwy prowadzące dla silnika

Materiał: ekstrudowane profile aluminiowe lakierowane proszkowo

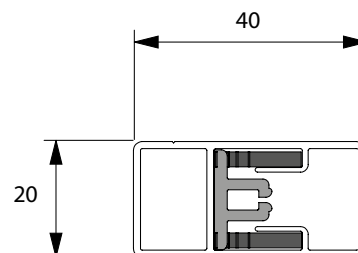
Listwa prowadząca A839 (7-303494)

- standardowa listwa prowadząca do umocowania na zaczepy lub dla małej odległości od bocznej strony (10 mm).



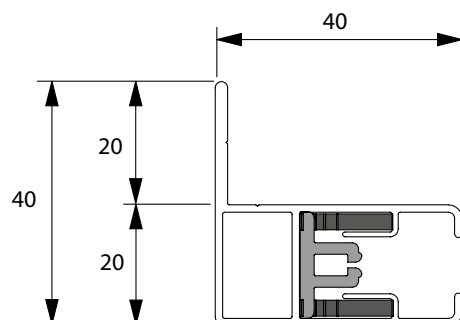
Listwa prowadząca A830 (7-303492)

- płaska listwa prowadząca bez zaczepów.



Listwa prowadząca A838 (7-303493)

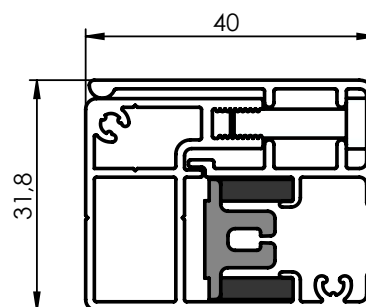
- listwa prowadząca z krótkim kołnierzem montażowym.



Listwa prowadząca A840-1 (7-304469-0000

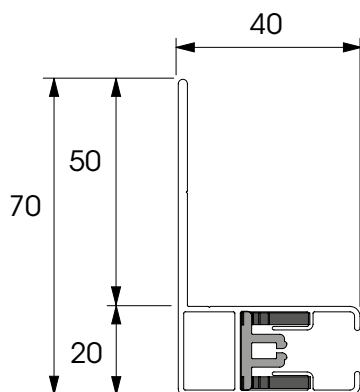
+ 7-304468-0000)

- listwa prowadząca składana, dla silnika
- nie nadaje się do montażu na ramie w połączeniu z uchwytem ściennym/sufitowym
- listwa prowadząca składana, dla silnika



Listwa prowadząca A837 (6-018856)

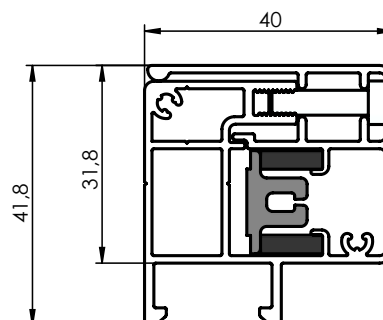
- listwa prowadząca z długim kołnierzem montażowym.



Listwa prowadząca A849

(7-304470-0000+7-304468-0000)

- listwa prowadząca składana, dla silnika
- eliminuje szczelinę 10 mm przy zastosowaniu uchwyty ściana-sufit, można stosować w połączeniu z kamieniami montażowymi



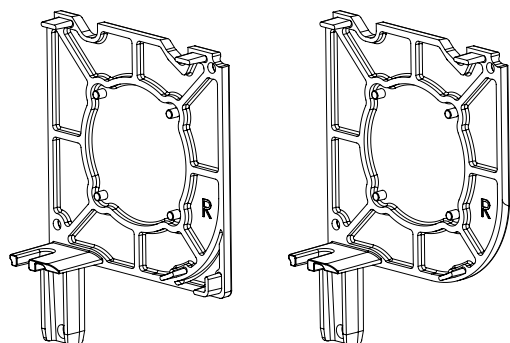
Listwy prowadzące - wiercenie na przedniej/bocznej stronie (z obustron na krawędzi 200 mm)

do wysokości 1500 mm	2 otwory (końcowe)
powyżej 1500 mm do 3000 mm	3 otwory (2 końcowe otwory + 1 otwór w środku)
od 3000 mm do 4500 mm	4 otwory (2 końcowe otwory + 2 otwory w środku)
od 4500 mm	5 otworów (2 końcowe otwory + 3 otwory w środku)

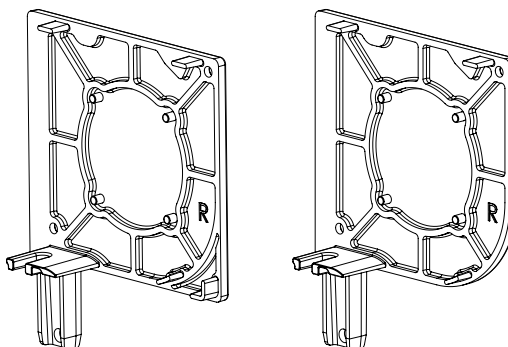
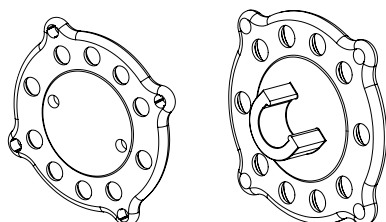
Ściana boczna:

Podstawowa ściana boczna: - aluminiowe ściany boczne z czopami - odlew ciśnieniowy,
- aluminiowe ściany boczne kompletne z uniwersalnymi płytami nośnymi z czarnego materiału syntetycznego.

Ściany boczne do profilu montażowego



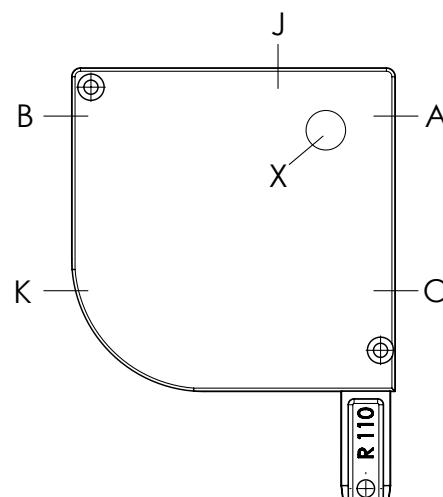
Ściany boczne do uchwytu ściana-strop

**Uniwersalna płyta nośna:****Obsługa umieszczenie - wyjście**

Typ montażu	Obsługa	O	A	X	B
		110	110	110	110
A-AE	Silnik	x	x	x	
B-BE	Silnik			x	x

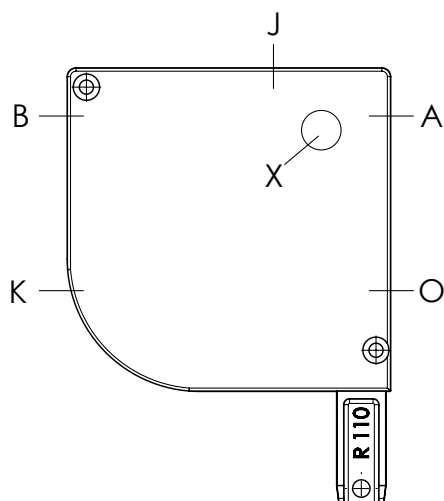
Typ montażu	Obsługa	K	J
		110	110
A-AE	Silnik		x
B-BE	Silnik	x	x

x	Tak
x	Możliwość tylko z kasetą prostokątną
J	Do montażu strop/nadproże lub użycia wewnątrz z powodu przenikania wody.
o	Nie jest możliwe

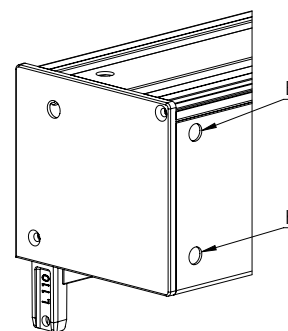
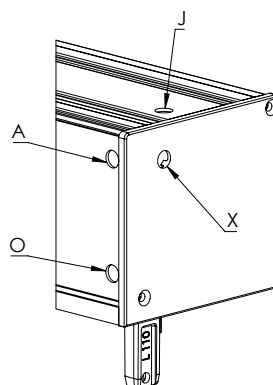
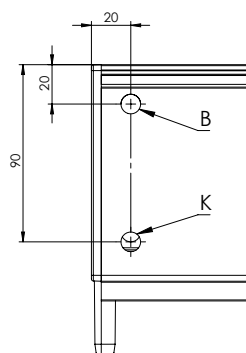
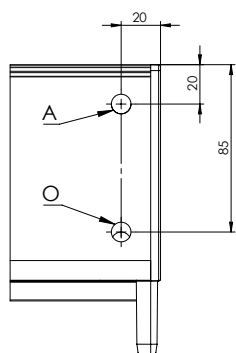
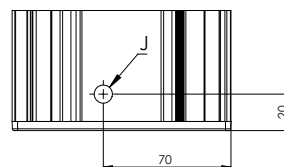
Wyjścia do obsługi

Obsługa- silnik

Możliwość wyboru umieszczenia kabla

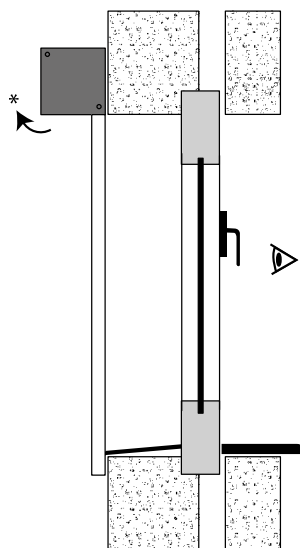


na lewo, wyprowadzenie X (ze ściany bocznej) tylko dla kasety 110 na prawo,
wyprowadzenie X (ze ściany bocznej) tylko dla kasety 110



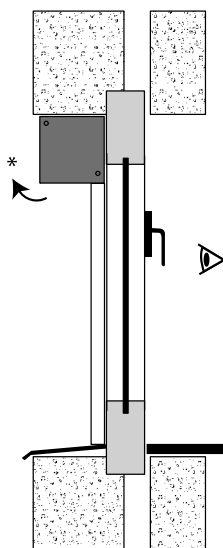
Typ montażu

Typ A-AE (na ścianę)

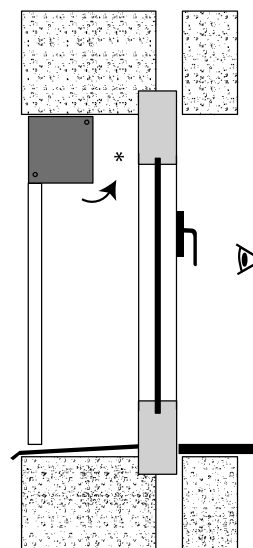


* miejsce na oświetlenie kasety

Typ A-AE (do szpalety)

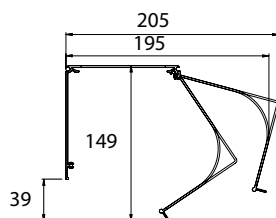


Typ B-BE (do szpalety) *



A - nawój do okna „A”
(standard)
AE - nawój do okna „AE”
(zewnątrzna strona
jaśniejsza)
B - nawój od okna „B”
BE - nawój od okna
„BE”
(zewnątrzna strona
jaśniejsza)

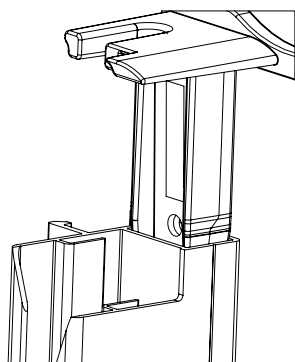
Typ 110



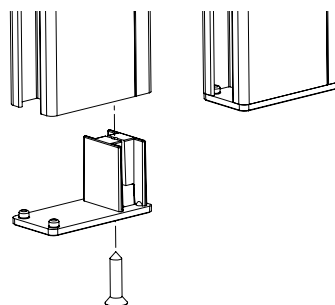
Montaż na czopy

Kasetę montuje się do listew prowadzących. Listwy poruszają się po czopach konsoli.

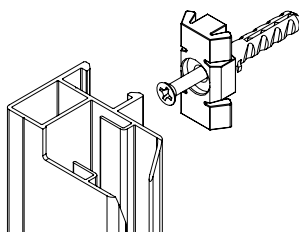
Montaż na czopy



Ogranicznik końcowy

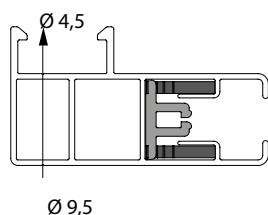


Zaczepty na listwy prowadzące A839



Z ogranicznikiem końcowym Al w kolorze czarnym; grubość 2 mm.

Niektóre listwy prowadzące mogą być dostarczone z uprzednio wywierconymi otworami na bocznej stronie. Otwory na przedniej stronie:



Listwy prowadzące dla wywierconych otworów na przedniej stronie:

Otwory	A839	A830	A837	A838
boczna strona	x	x	-	-

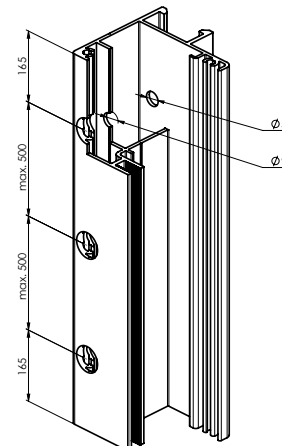
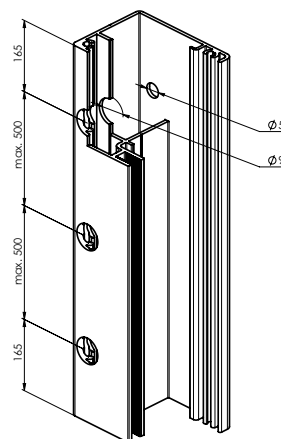
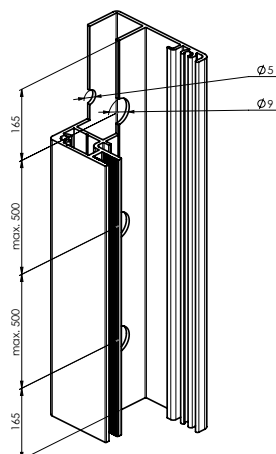
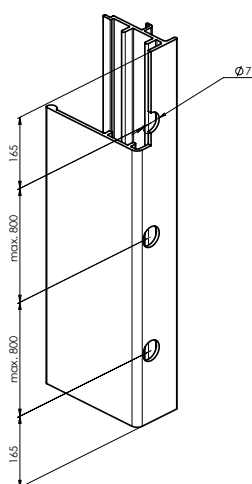
A840-1: wierzenie na przedniej/bocznej stronie

A840-1 wierzenie końca listwy prowadzącej

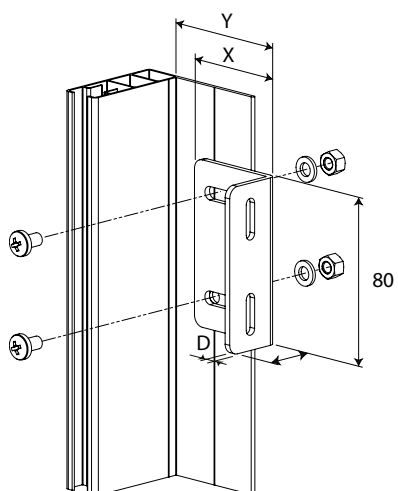
A840-1b wierzenie na bocznej stronie

A840-1c wierzenie na przedniej stronie

A849: wierzenie na przedniej stronie



Uchwyt na listwy prowadzące A838, A837:



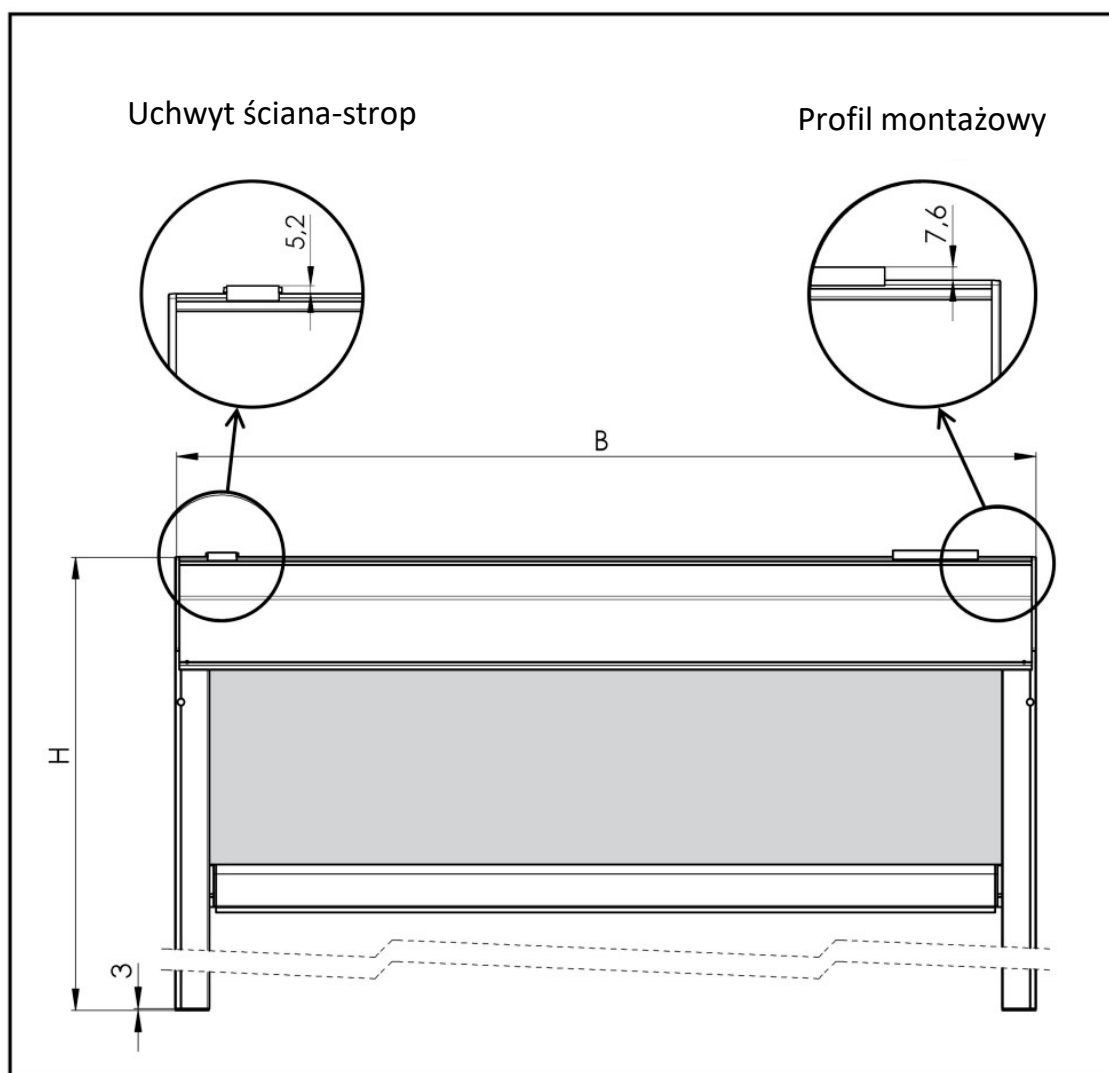
X × H × D	X	Y	nazwa pozycji
50 × 30 × 3	50	50–65	6-014549-0000
60 × 30 × 3	60	60–75	6-014550-0000
100 × 30 × 3	100	100–115	6-014552-0000
130 × 30 × 3	130	130–145	6-014542-0000

SCREEN ALFA PLUS-ZIP

Wymiarowanie rolety ekranowej ALFA PLUS-ZIP

Szerokość końcowa B = odległość między ścianami bocznymi.

Wysokość końcowa H = wysokość wraz z kasetą i końcówkami listew prowadzących (grubość końcówek listew prowadzących = 3 mm) z wyjątkiem uchwyty ściana/strop lub z wyjątkiem profilu montażowego.



Montaż rolety ekranowej ALFA PLUS-ZIP

Istnieje kilka sposobów instalacji rolety ekranowej w zależności od sytuacji.

Uwaga: W przypadku samonośnej wersji rolety ekranowej należy postępować według wariantu A, metody 2.

Wariant A: użycie uchwyty ściana / strop

Metoda 1. Umocowanie kasety z pomocą uchwytów ściana/strop, nasunięcie listew prowadzących na czop ściany bocznej i zabezpieczenie listew prowadzących śrubami.

Metoda 2. Umieszczenie kompletnego zestawu kasety i listew prowadzących do otworu okiennego lub nad nim i zabezpieczenie śrubami (stosuje się w przypadku, kiedy nie ma miejsca do nasunięcia listew prowadzących na czop ściany bocznej, np. z powodu parapetu lub w przypadku samonośnej wersji rolety ekranowej).



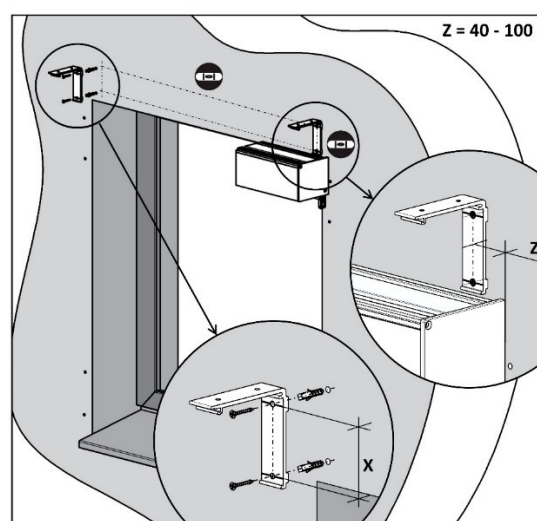
poziomnica

METODA 1. Umocowanie kasety z pomocą uchwytów ściana / strop, nasunięcie listew prowadzących na czop ściany bocznej i zabezpieczenie listew prowadzących śrubami.

Typ kasety	X
90	52 mm
110	73 mm

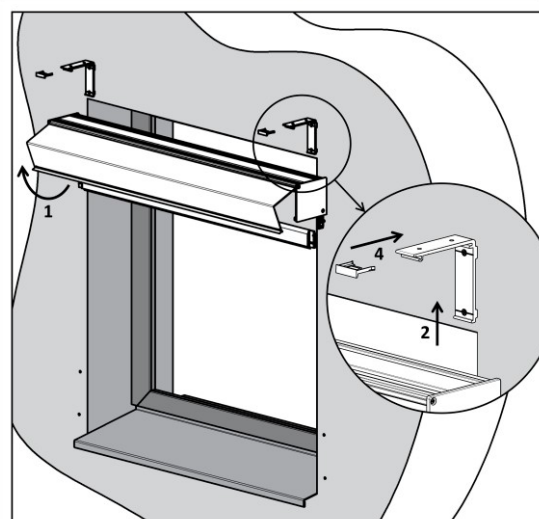
Krok 1: Wywiercenie otworów na uchwyty ściana/strop

1. Umieścić uchwyty ściana/strop na powierzchni montażowej. Górnych otworów użyć do montażu na strop a tylnych otworów do montażu na ścianie.
2. Kasetę musi być doskonale pozioma, dlatego należy upewnić się, że uchwyty ściana/strop są należycie wyrównane. Do tego użyć wagi wodnej i pionu lub innego odpowiedniego narzędzia.
3. Uchwyty ściana/strop muszą być umieszczone w odległości 40-100 mm od krawędzi kasety. Jakikolwiek następnym uchwyty montuje się równomiernie wzdłuż szerokości kasety a ich celem jest zapobieżenie uginaniu szerszych kaset.



Krok 2: Umocowanie kasety na uchwyt ściana/strop

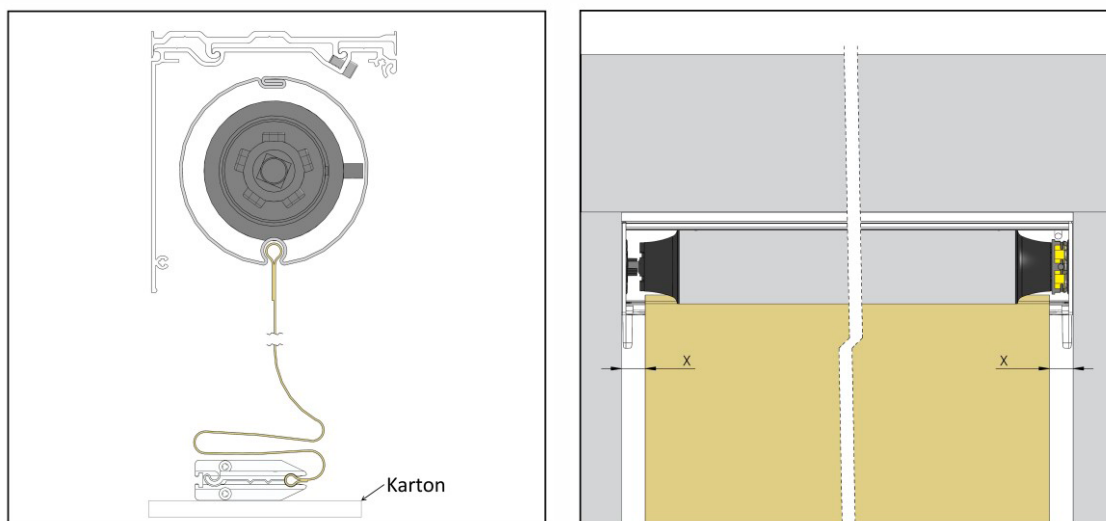
1. Zdemontować przednie wieko kasety
2. Nasadzić kasetę do uchwytów ściana/strop.
3. Upewnić się, że kasetę jest prawidłowo nasadzona na wszystkich uchwytach
4. Nasadzić i wcisnąć bezpieczniki, które muszą zatrzasnąć się w prawidłowej pozycji



Krok 3: Wycentrowanie materiału w kasecie

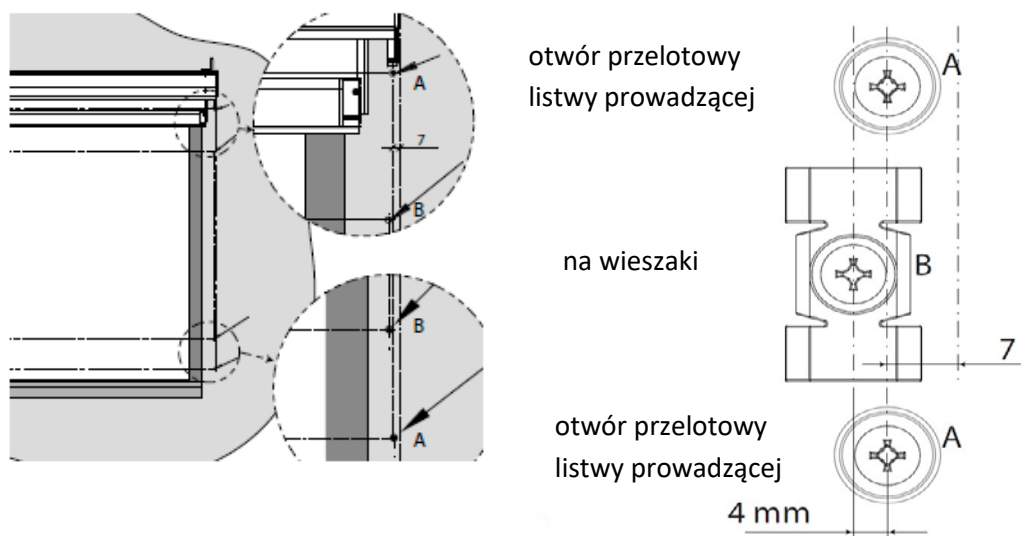
1. Zjechać z materiałem tak, aby całkowicie odwinął się z wałka (materiał zostanie nasunięty w rowku wałka). Dbać przy tym o to, aby nie doszło do zabrudzenia materiału i uszkodzenia profilu dolnego.
2. Wycentrować materiał na wałku tak, aby był na środku kasety (nie na środku wałka)
3. Skontrolować, czy materiał nawija się równo → wykonać 2-3 cykle kontrolne (UWAGA! Nie są nastawione ograniczniki końcowe na silniku!)

Kontrolę ukończyć tak, aby dolna listwa była ok. 15 cm pod kasetą

**Krok 4: Wywiercenie otworów na listwy prowadzące****Listwy prowadzące A839, A829:**

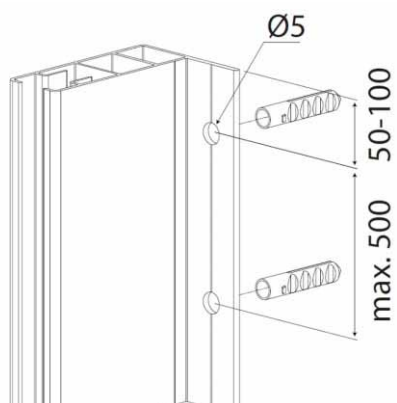
1. Na ścianie lub innej powierzchni montażowej zaznaczyć otwory, które mają być wiercone.
2. Użyć do tego nawierconych listew prowadzących.
3. A są na rysunku oznaczone otwory do umocowania listew prowadzących.
4. B są na rysunku oznaczone otwory na wieszaki.

*A840 - patrz instrukcja montażu



Listwy prowadzące A830:

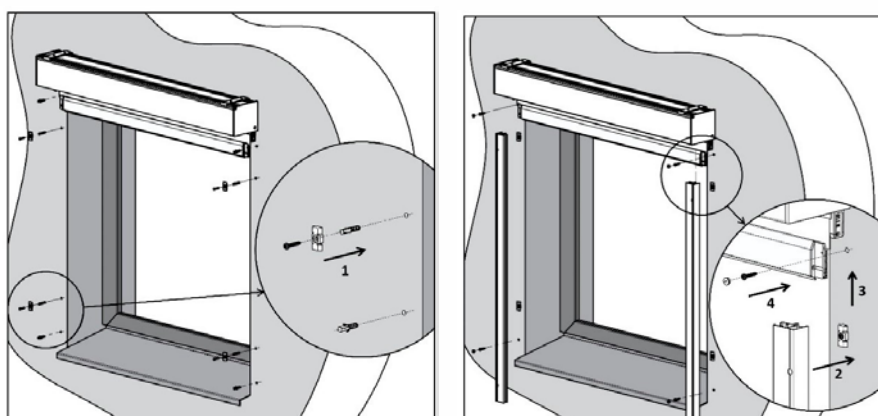
Do umocowania listw prowadzących A830 użyć nawierconych otworów w listwach.

Listwy prowadzące A838, A828, A837:

*A840-1 - patrz instrukcja montażu

Krok 5: Montaż listw prowadzących**Listwy prowadzące A839, A829:**

1. Umocować wieszaki na powierzchni montażowej.
2. Nasadzić czołowo listwy prowadzące na wieszaki.
3. Nasunąć listwy prowadzące na czopy ścian bocznych i upewnić się, że końcówki dolnej listwy prawidłowo zasunęły się do rowków listw prowadzących a zip na materiale zasunął się do plastikowej wkładki w listwie prowadzącej.
4. Przykręcić listwy prowadzące do powierzchni montażowej przez otwory A.

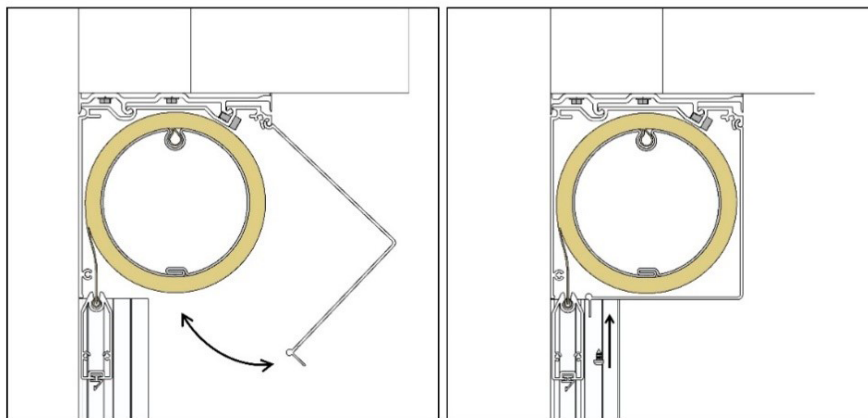
**Listwy prowadzące A830, A820, A838, A828, A837:**

Nasunąć listwy prowadzące na czopy ścian bocznych i przykręcić do powierzchni montażowej przez otwory A.

Krok 6: Nasadzenie przedniego wieka

Zamontować z powrotem przednie wieko kasety.

Po zamontowaniu żaluzji konieczne jest z boku zdejmij zacisk kablowy.

**Krok 7: Nastawienie silnika**

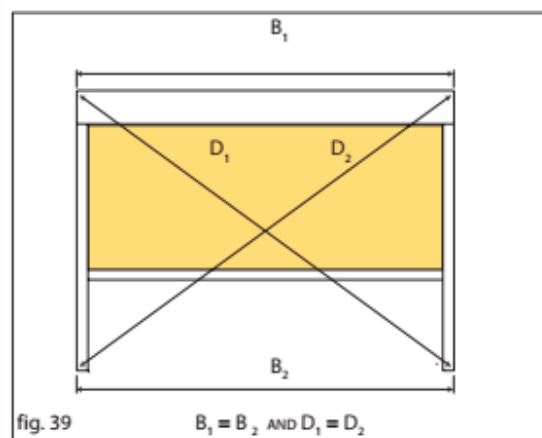
Nastawić ograniczniki końcowe silnika w zależności od typu silnika (patrz Instrukcja silnika)

Krok 8: Kontrola montażu

Zawsze upewnić się, że roleta jest prawidłowo zamontowana:

1. Najpierw sprawdzić, czy kasetę jest zamontowana poziomo.
2. Sprawdzić, czy obie listwy prowadzące są wzajemnie równoległe i jednocześnie prostopadłe do kasety.
3. Zmierzyć i porównać wzajemnie przekątne z dokładnością do milimetrów.

Jeżeli kasetę i listwy prowadzące nie są prawidłowo zamontowane, dolna listwa będzie zawsze nawijać się do kasety ukośnie, co spowoduje pofałdowanie materiału lub jego wrywanie z plastikowej wkładki w listwie prowadzącej.



Metoda 2. Umieszczenie kompletnego zestawu kasety i listw prowadzących do otworu okiennego lub nad nim i zabezpieczenie śrubami (stosuje się w przypadku, kiedy nie ma miejsca do nasunięcia listw prowadzących na czop ściany bocznej, np. z powodu parapetu lub samonośnej wersji rolety ekranowej).

Krok 1: Wywiercenie otworów na uchwyty ściana/strop

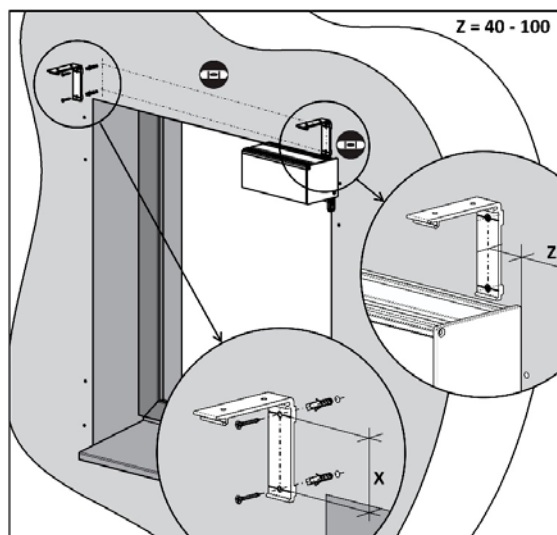
1. Umieścić uchwyty ściana/strop na powierzchni montażowej. Górnych otworów użyć do montażu na strop a tylnych otworów do montażu na ścianę.
2. Kasetę musi być doskonale pozioma, dlatego trzeba się upewnić, że uchwyty ściana/strop są należycie wypoziomowane. Do tego użyć wagi wodnej i pionu, lub innego odpowiedniego narzędzia.
3. Uchwyty ściana/strop muszą być umieszczone w odległości 40-100 mm od krawędzi kasety. Jakikolwiek następne uchwyty montuje się równomiernie wzdłuż szerokości kasety a ich celem jest zapobieżenie uginaniu się szerszych kaset.

W razie wersji samonośnej opuścić krok 1 i kontynuować od kroku 2.



poziomnica

Typ kasety	X
90	52 mm
110	73 mm



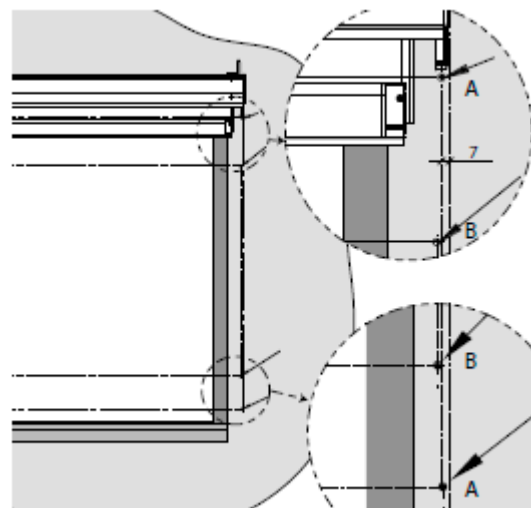
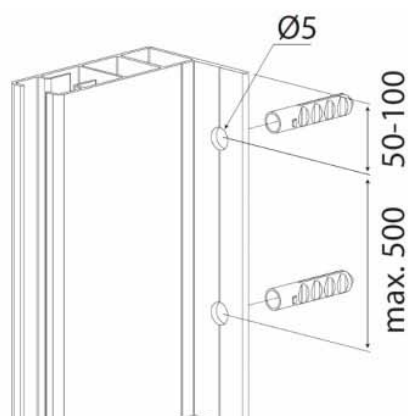
Krok 2: Wywiercenie otworów na listwy prowadzące**Listwy prowadzące A839, A829:**

1. Na ścianie lub innej powierzchni montażowej zaznaczyć otwory, które mają być wiercone. Użyć do tego nawierconych listew prowadzących.
2. A są na rysunku oznaczone otwory do umocowania listew prowadzących.
3. B są na rysunku oznaczone otwory na wieszaki.

Umocować wieszaki na powierzchni montażowej.

Listwy prowadzące A830:

Do umocowania listew prowadzących A830 użyć nawierconych otworów w listwach.

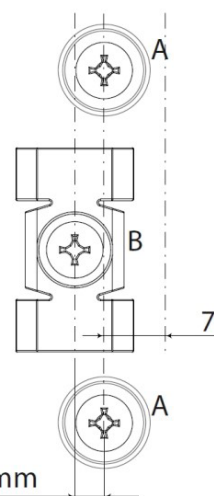
**Listwy prowadzące A838, 828, A837:**

otwór przelotowy
listwy prowadzącej

na wieszaki

otwór przelotowy
listwy prowadzącej

4 mm



*A840-1 – patrz instrukcja montażu A840-1

Krok 3: Nasunięcie listew prowadzących na czopy ścian bocznych

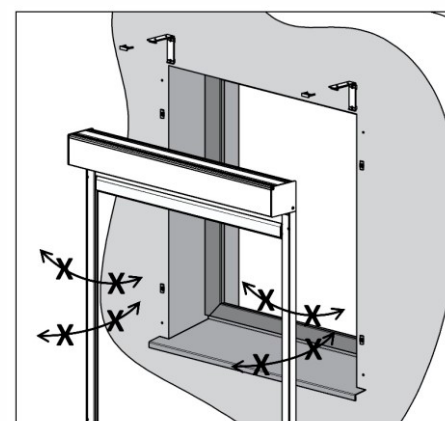
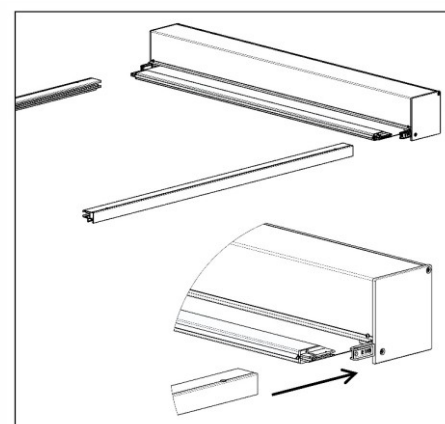
1. Położyć kasetę na kartonowe opakowanie (dbać o to, aby nie uszkodzić wykończenia powierzchni).
2. Następnie nasunąć nawiercone listwy prowadzące na czopy ścian bocznych.
3. Upewnić się, że końcówki dolnej listwy są prawidłowo zasunięte do rowków listew prowadzących a zip na materiale zasunął się do plastikowej wkładki w listwie prowadzącej.

Krok 4: Osadzenie kasety i listew prowadzących

Podnieść kasetę z listwami prowadzącymi. Przeprowadzać to powinny min. 2 osoby w zależności od całkowitej szerokości kasety. Umieścić kompletny zestaw do otworu okiennego.



Uwaga! Uważać, aby nie odłamać czopów posuwając listwy prowadzące za bardzo do przodu, do tyłu lub w bok.

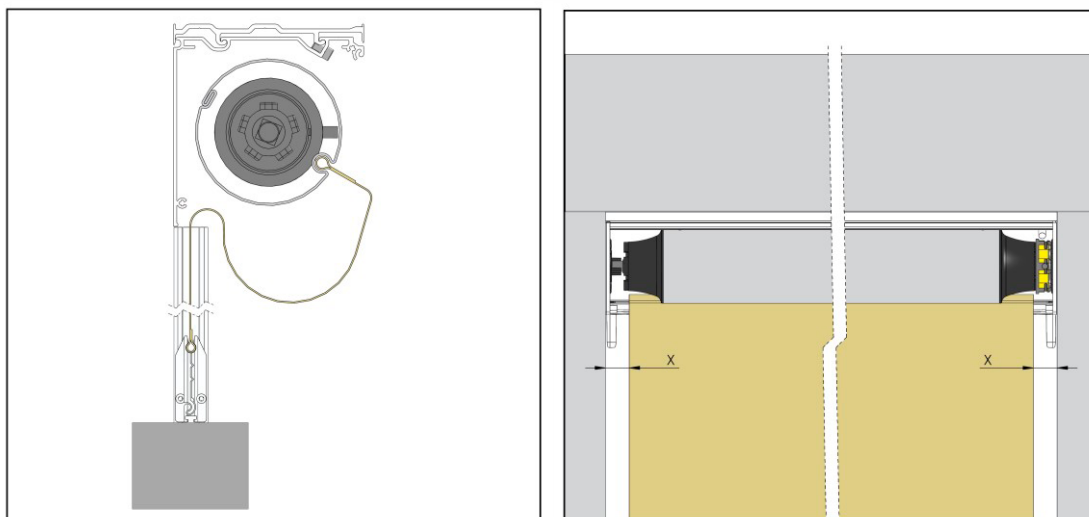


Krok 5: Wycentrowanie materiału w kasecie

1. Zjechać materiałem tak, aby całkowicie odwinął się z wałka (materiał zostanie nasunięty w rowku wałka). Dbać przy tym o to, aby nie doszło do zabrudzenia materiału i uszkodzenia dolnego profilu.
2. Wycentrować materiał na wałku tak, aby był pośrodku kasety (nie pośrodku wałka)
3. Skontrolować, czy materiał nawija się równo → wykonać 2-3 cykle kontrolne (UWAGA! Nie są nastawione ograniczniki końcowe na silniku!)
Kontrolę ukończyć tak, aby listwa dolna była ok. 15 cm pod kasetą.

Krok 6: Umocowanie kasety na uchwyty ściana/strop i przykręcenie listew prowadzących

1. Nasadzić kasę do uchwytów ściana/strop.
2. Upewnić się, że kasetka jest prawidłowo nasadzona na wszystkich uchwytach.
3. Nasadzić i wcisnąć bezpieczniki, które muszą zatrzasknąć się w prawidłowej pozycji.
4. W przypadku listew prowadzących A839,829 nasadzić je czołowo na wieszaki i przykręcić do powierzchni montażowej przez otwory A.
5. W przypadku listew prowadzących A830, A838, A828 przykręcić je do powierzchni montażowej przez otwory A

**Krok 7: Nastawienie silnika**

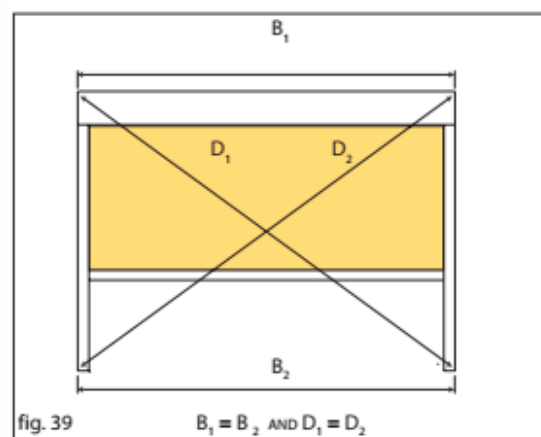
Nastawić ograniczniki końcowe silnika w zależności od typu silnika (patrz Instrukcja silnika)

Krok 8: Kontrola montażu

Zawsze upewnić się, że roleta jest prawidłowo zamontowana:

1. Najpierw sprawdzić, czy kasetka jest zamontowana poziomo.
2. Sprawdzić, czy obie listwy prowadzące są wzajemnie równoległe i jednocześnie prostopadłe do kasety.
3. Zmierzyć i porównać wzajemnie przekątne z dokładnością do milimetrów.

Jeżeli kasetka i listwy prowadzące nie są prawidłowo zamontowane, dolna listwa będzie zawsze nawijać się do kasety ukośnie, co spowoduje pofałdowanie materiału lub jego wrywanie z plastikowej wkładki w listwie prowadzącej.



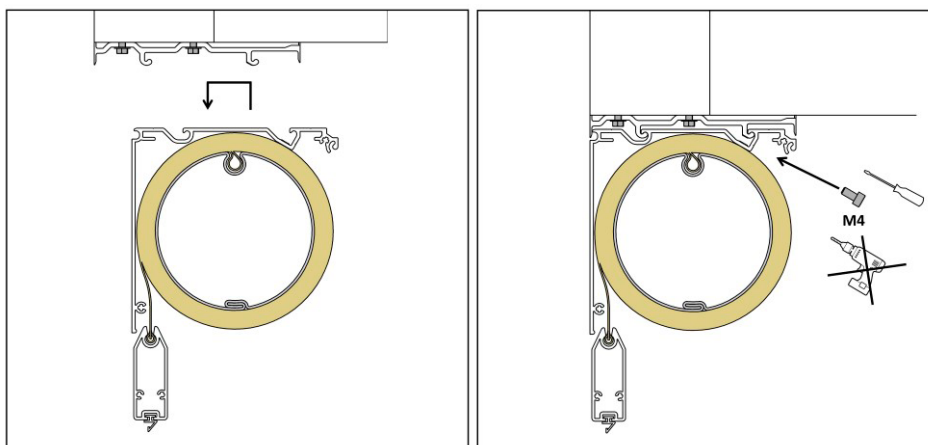
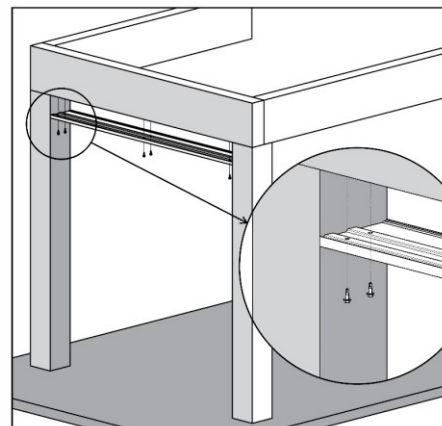
Wariant B: użycie profilu montażowego

Krok 1: Umocowanie profilu montażowego

1. Umieścić profil na powierzchni montażowej i zaznaczyć miejsca według nawierconych otworów. Powierzchnia montażowa musi być doskonale pozioma!
2. Nawiercić otwory według użytego materiału łącznego i przykręcić profil montażowy.

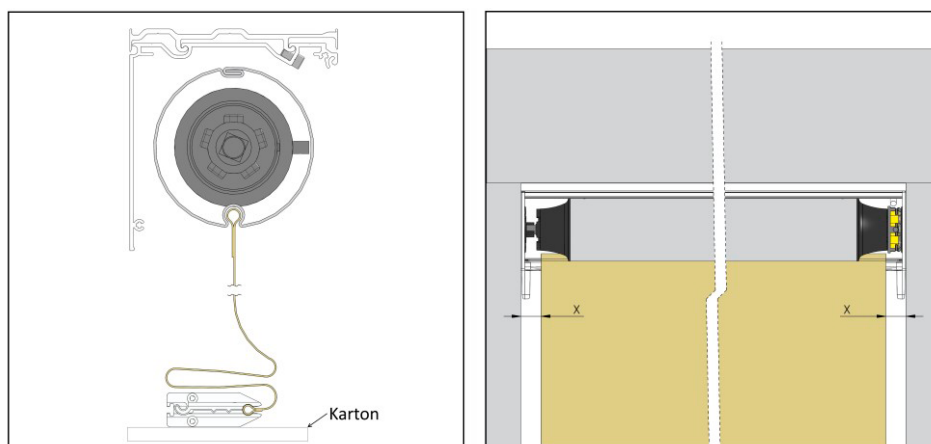
Krok 2: Umocowanie kasety na profil montażowy

1. Zdemontować przednie wieko kasety
2. Nasadzić kasetę do profilu montażowego
3. Upewnić się, że kasetka jest prawidłowo nasadzona na całej długości w obu zamkach.
4. Przykręcić załączone śruby M4 do nawierconych otworów w kasecie.



Krok 3: Wycentrowanie materiału w kasecie

1. Zjechać materiałem tak, aby całkowicie odwinął się z wałka (materiał zostanie nasunięty w rowku wałka). Dbać przy tym o to, aby nie doszło do zabrudzenia materiału i uszkodzenia dolnego profilu.
2. Wycentrować materiał na wałku tak, aby był pośrodku kasety (nie pośrodku wałka)
3. Skontrolować, czy materiał nawija się równo → wykonać 2-3 cykle kontrolne (UWAGA! Nie są nastawione ograniczniki końcowe na silniku!)
Kontrolę ukończyć tak, aby dolna listwa była ok.. 15 cm pod kasetą.



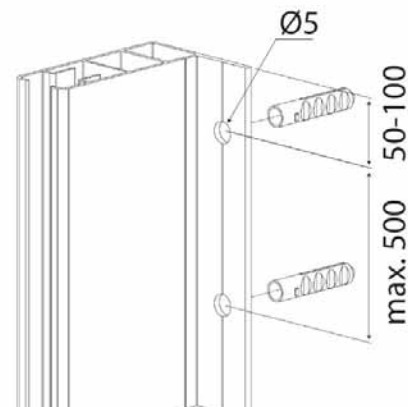
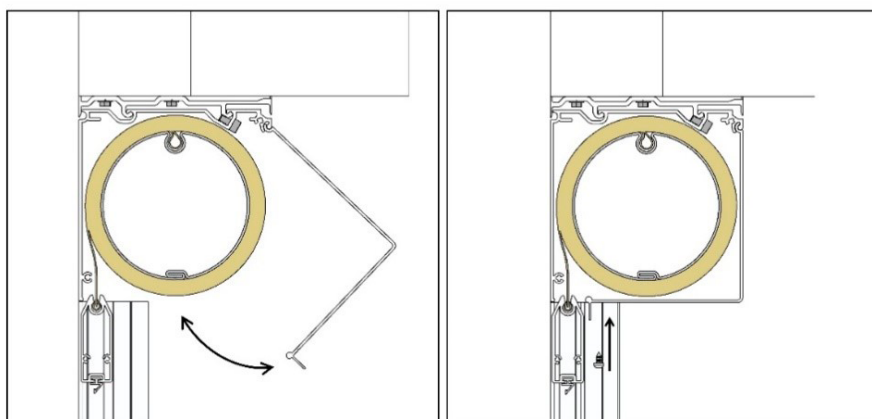
Krok 4: Montaż listw prowadzących

1. Nasunąć listwy prowadzące na czopy ścian bocznych.
2. Upewnić się, że końcówki dolnej listwy są prawidłowo zasunięte do rowków listw prowadzących a zip na materiale zasunął się do plastikowej wkładki na listwie prowadzącej.
3. Przykręcić listwy prowadzące.

Krok 5: Nasadzenie przedniego wieka

Zamontować z powrotem przednie wieko kasety.

Po zamontowaniu żaluzji konieczne jest z boku zdejmij zacisk kablowy.

**Krok 6: Nastawienie silnika**

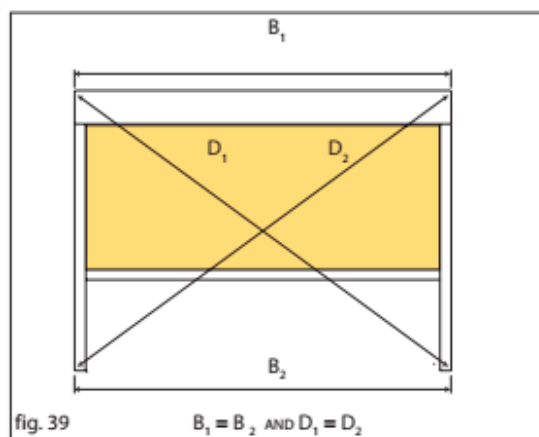
Nastawić ograniczniki końcowe silnika w zależności od typu silnika (patrz. Instrukcja silnika)

Krok 7: Kontrola montażu

Zawsze upewnić się, że roleta jest prawidłowo zamontowana:

1. Najpierw sprawdzić, czy kasetę jest zamontowana poziomo.
2. Sprawdzić, czy obie listwy prowadzące są wzajemnie równoległe i jednocześnie prostopadłe do kasety.
3. Zmierzyć i porównać wzajemnie przekątne z dokładnością do milimetrów.

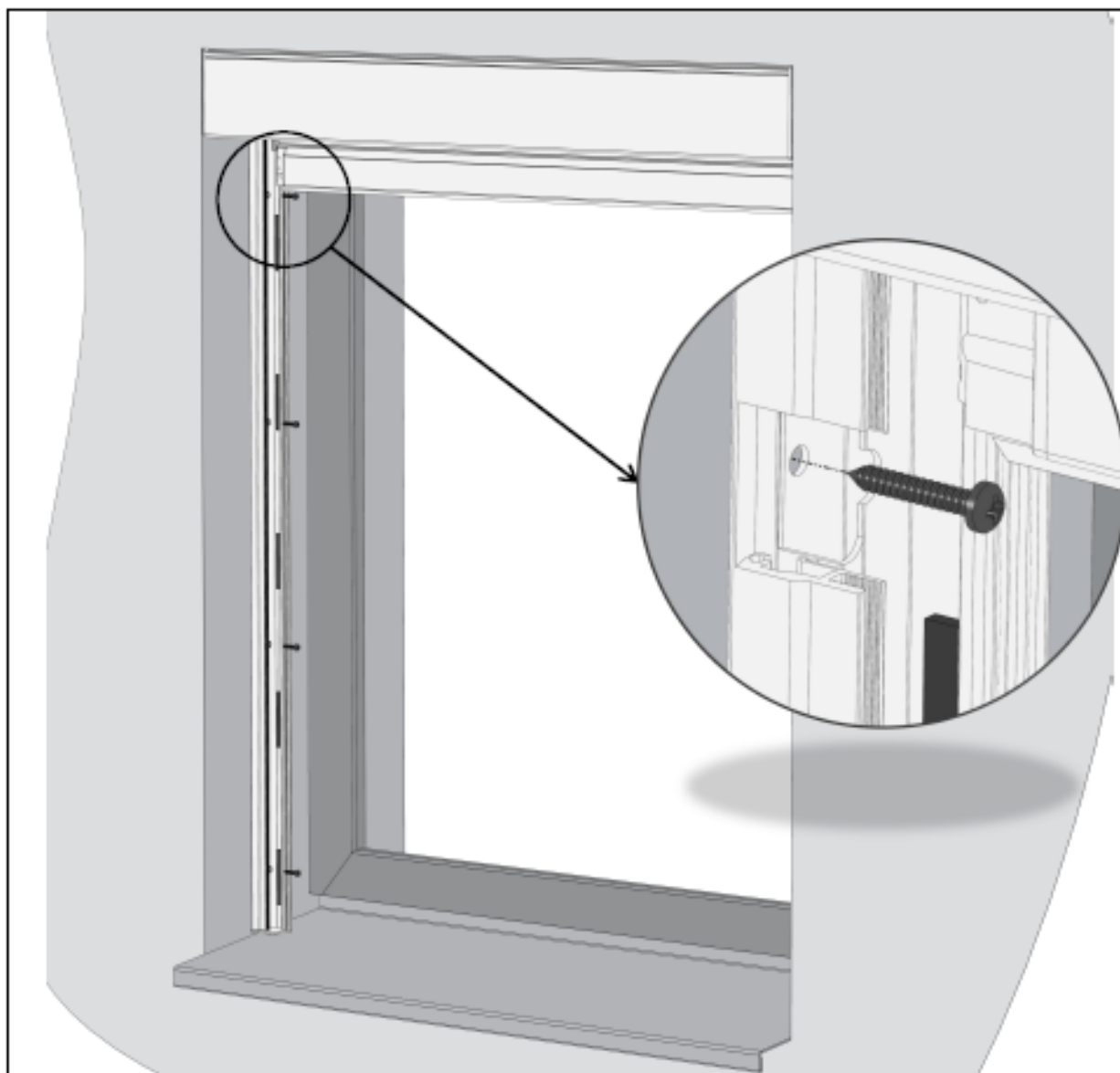
Jeżeli kasetę i listwy prowadzące nie są prawidłowo zamontowane, dolna listwa będzie zawsze nawijać się do kasety ukośnie, co spowoduje pofałdowanie materiału lub jego wyrywanie z plastikowej wkładki w listwie prowadzącej.



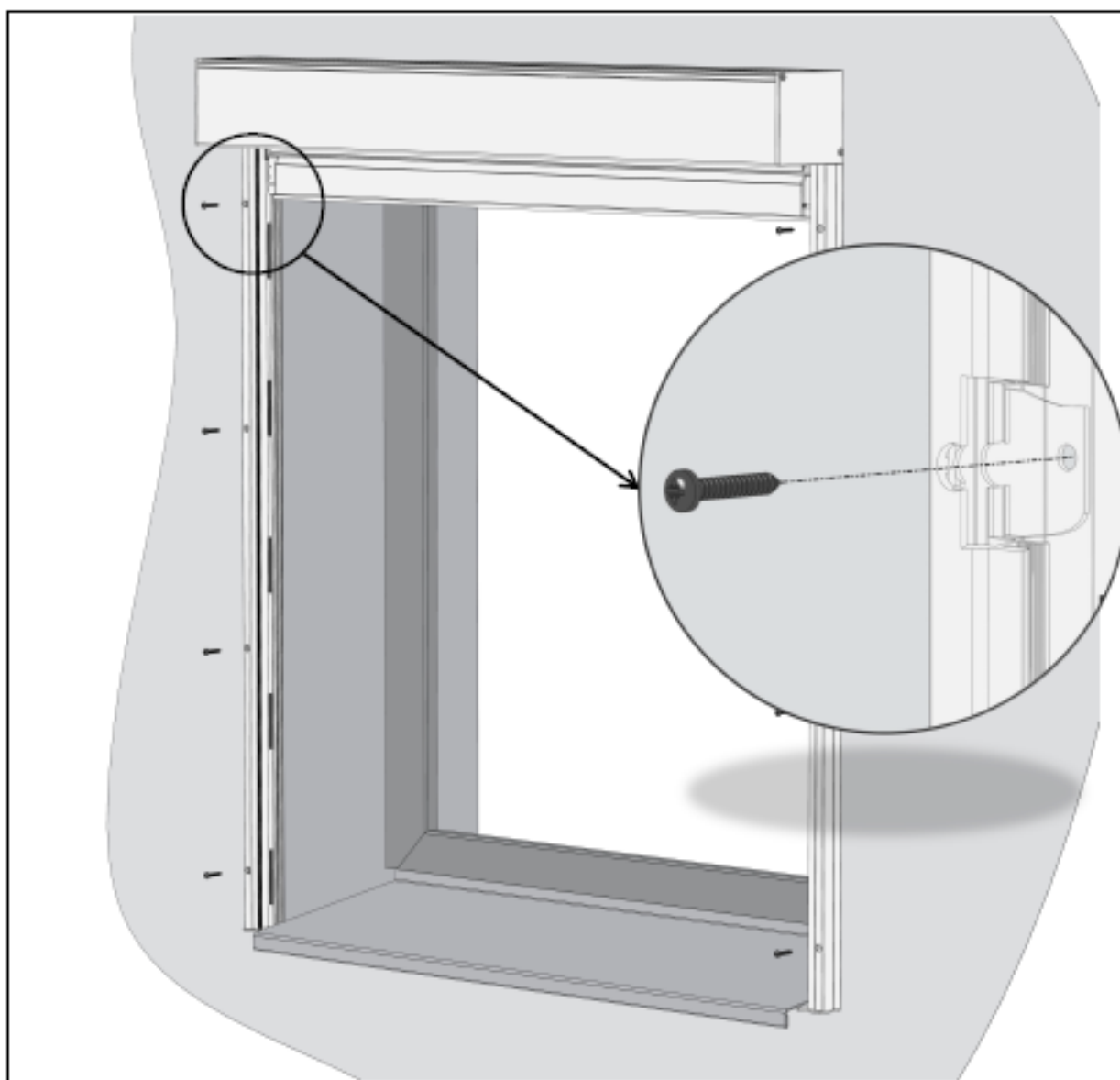
* Montaż - składana listwa prowadząca A840-1

1. Montaż listwy prowadzącej

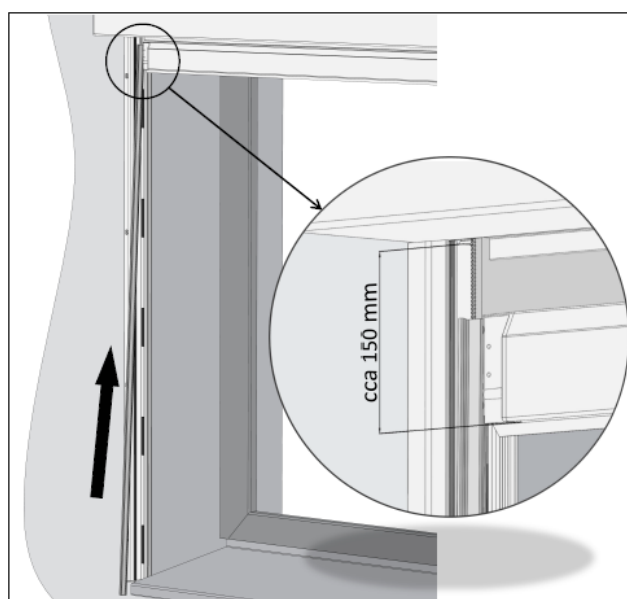
1.a Boczny montaż listwy prowadzącej



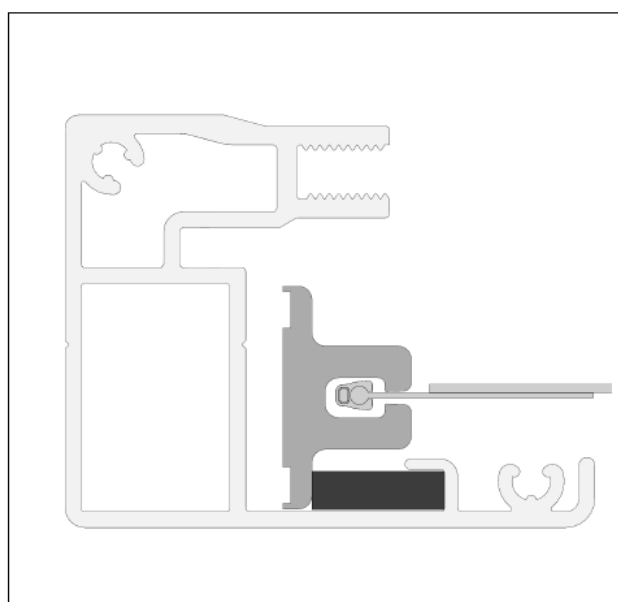
1.b Przedni montaż listwy prowadzącej



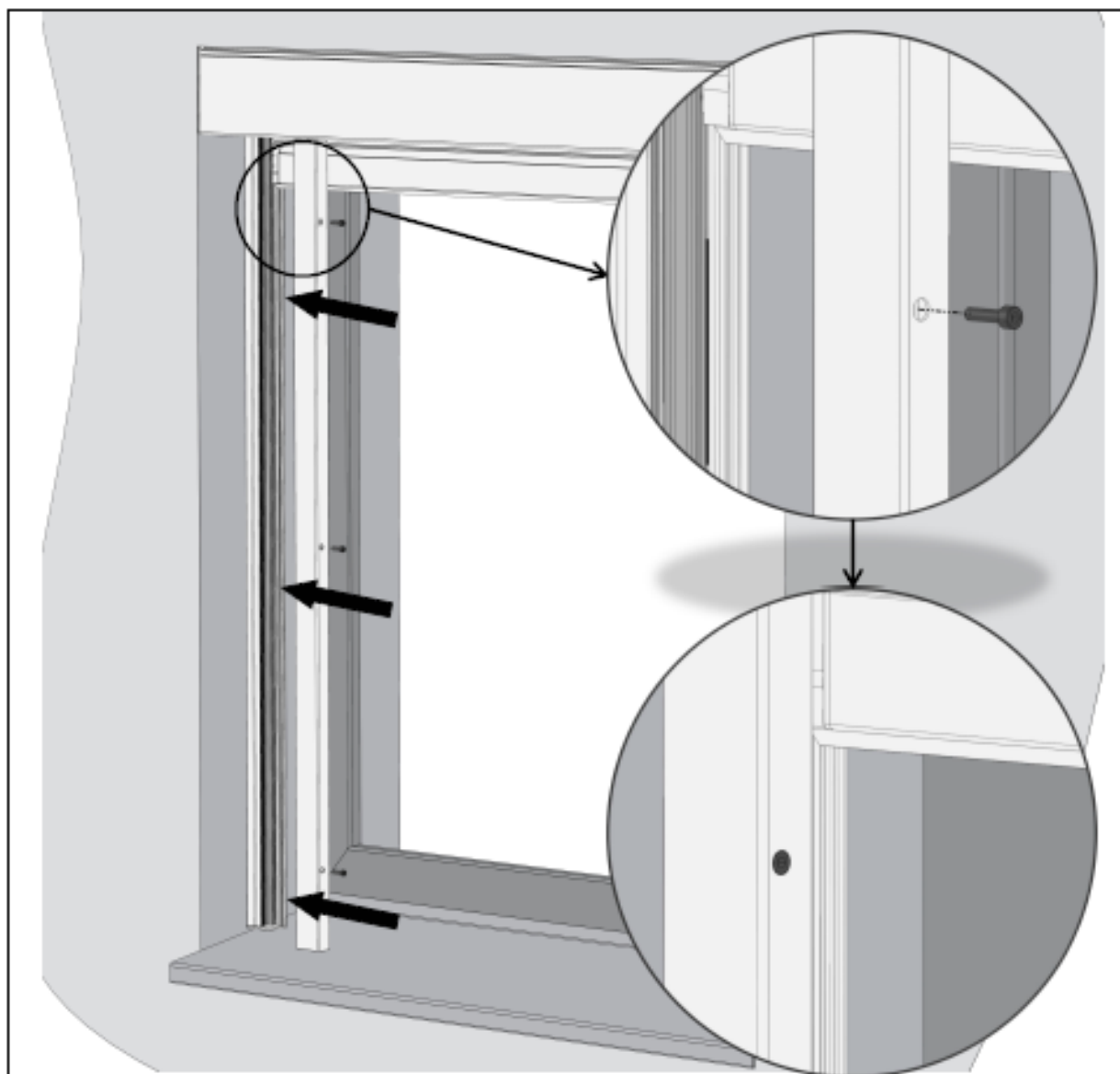
2. Nasadzenie profilu zipowego



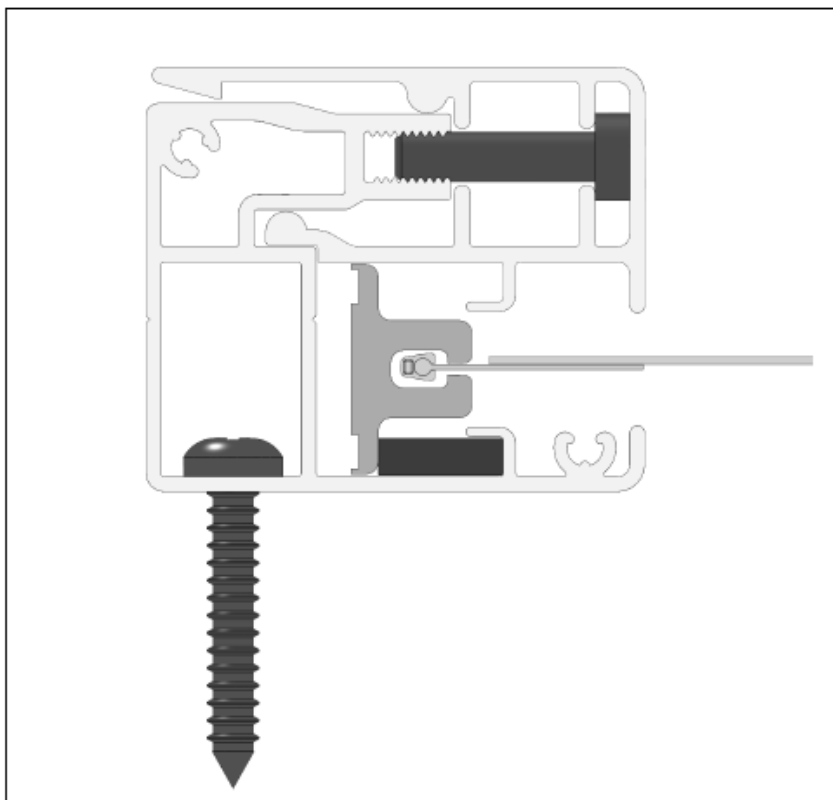
Przekrój listwy A840-1 po nasadzeniu profilu zipowego



3. Nasadzenie zamknięcia A840-1



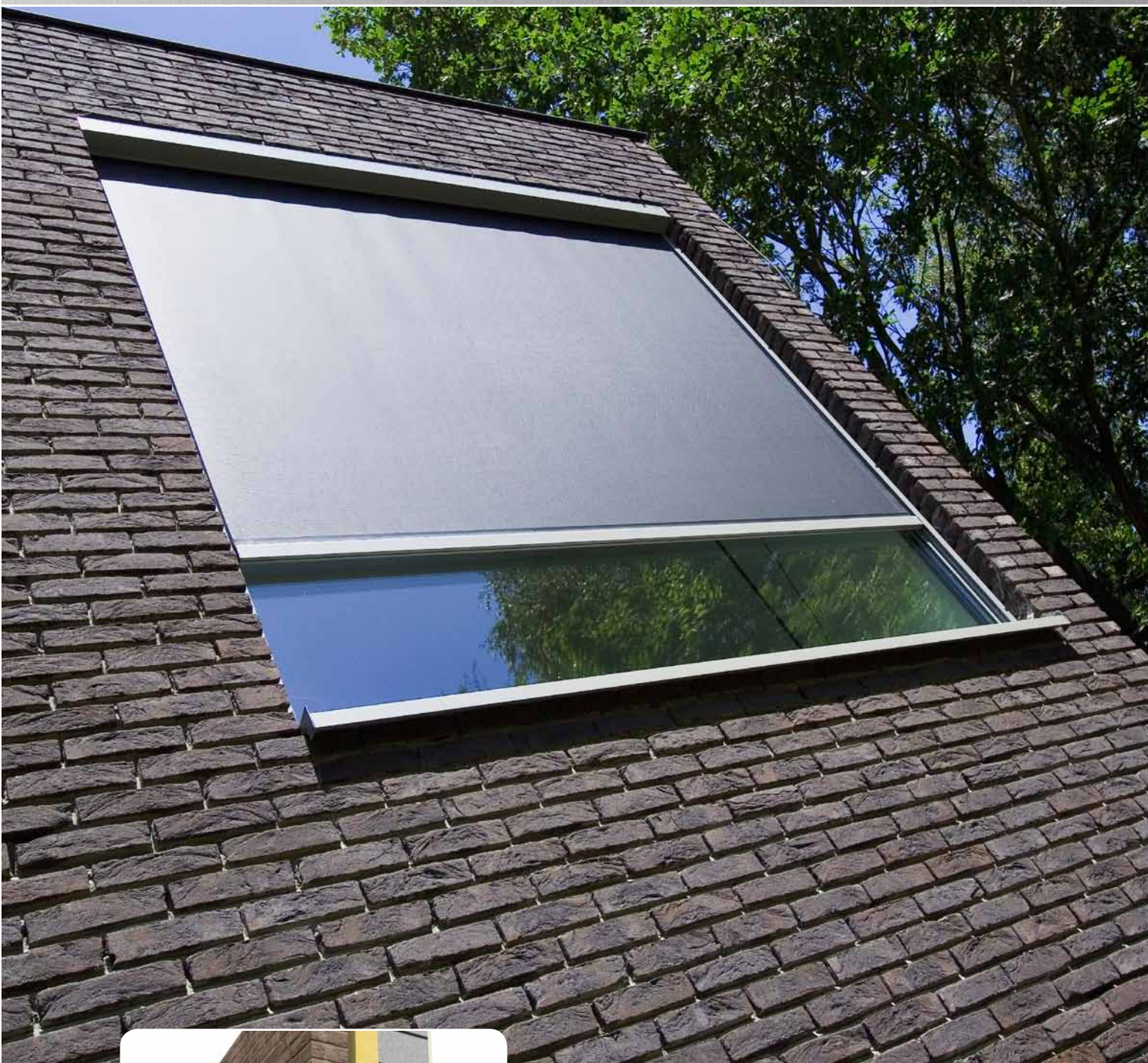
3.a Przekrój listwy prowadzącej A840-1 po montażu przednim



3.a Przekrój listwy prowadzącej A840-1 po montażu bocznym



SCREEN HR7

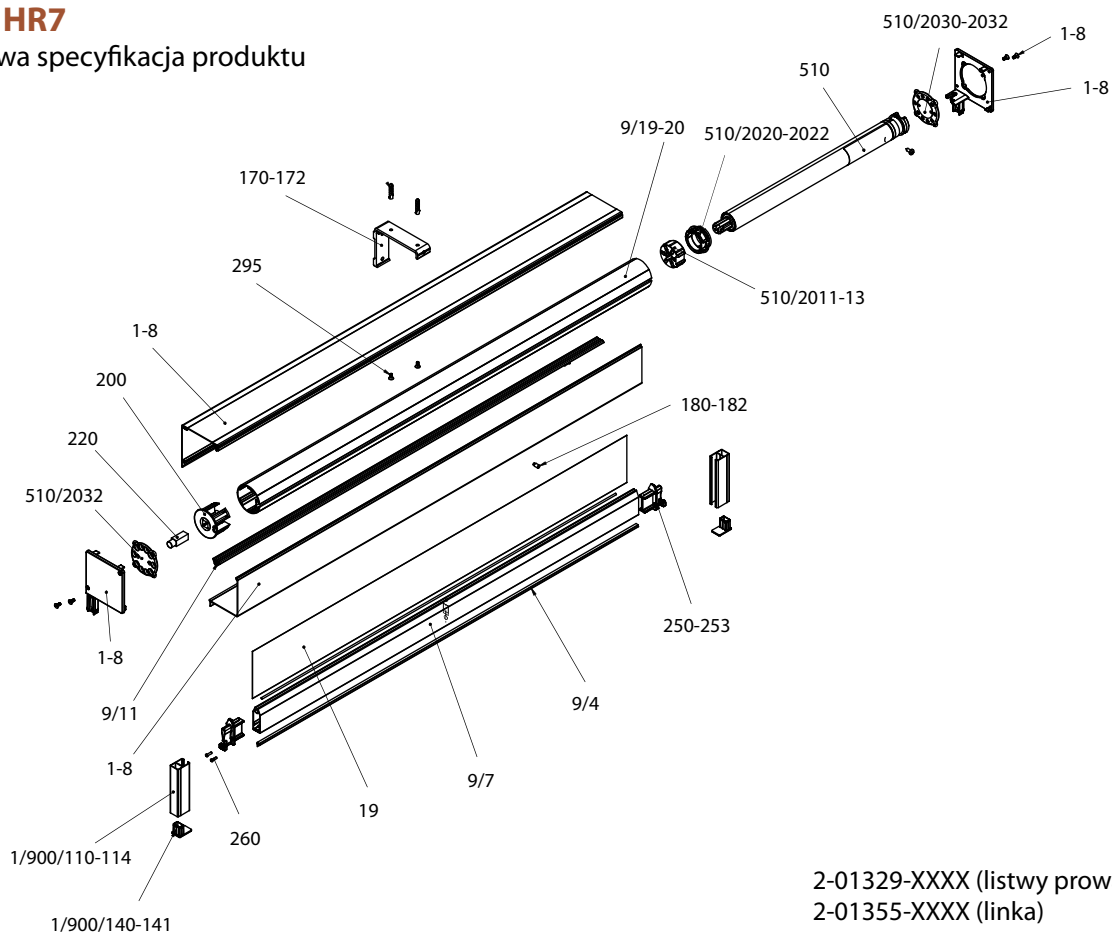


- ▲ 2 typy nowoczesnych kaset: z ostrymi rogami do surowej architektury, lub zaokrąglona do bardziej tradycyjnych budynków, oba typy dostępne w 3 wielkościach,
- ▲ wyważona dolna listwa do prowadzenia i napięcia tkaniny,
- ▲ klasa odporności na wiatr 2,
- ▲ możliwość sprzężenia do 3 sztuk rolet,
- ▲ z możliwością prowadzenia linką i listwami prowadzącymi,
- ▲ prosty montaż,
- ▲ gwarantowana powierzchnia do 14 m².

ISOTRA *Quality*

SCREEN HR7

Podstawowa specyfikacja produktu

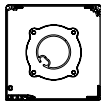
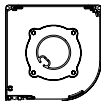
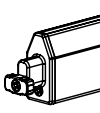
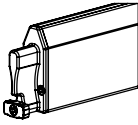

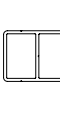
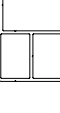
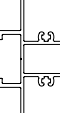
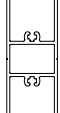



Obsługa

Służy do spuszczenia i podnoszenia rolety ekranowej. Dla wszystkich wielkości kasety są do dyspozycji dwa typy obsługi:

- Silnik** – Sunea Screen IO, Maestria WT/io, Becker C/E, Altus RTS (min. szerokość 685 mm), dla kasety o wymiarach 70x70 można użyć tylko następujących silników: Altus 40 RTS, LS40, Sunea IO 40, Becker 40 C/E.
- Korbka** – ze ślimakiem samohamującym i kołem ślimakowym, przełożenie 1:4, wbudowany ogranicznik końcowy (zapobiega nieprawidłowemu nawijaniu materiału).

Specyfikacja

	Kaseta		Dolny profil		Boczne prowadzenie					lanko
	prostokątna	ćwierćokrągła	mała	duży	listwa prowadząca					
Nazwa handlowa	-	-	ZPH073	ZPH074	ZPH064	ZPH063	ZPH065	ZPH066	ZPH067	
Wymiar (mm)	70x70, 90x90, 110x110	70x70, 90x90, 110x110	18x36	18x50	30x30	20x30	40x30	30x60	20x60	Ø 2,5 mm
Materiał	Al	Al	Al	Al	Al	Al	Al	Al	Al	stal nierdzewna
										
					typ 725	typ 720	typ 728	typ 755	typ 756	typ 770
Kolor	Standardowa: RAL 9006 jasno srebrny RAL 9007 ciemno srebrny RAL 9010 biały		RAL 7016 antracytowo szary RAL 7016S antracytowo szara struktura RAL 8014 brązowy		pozostałe kolory RAL na życzenie*					-

*oprócz części plastikowych

Standardowe wymiary

Standardowe wymiary dla kasety 70

Obsługa	Szerokość (mm)		Wysokość (mm)		Gwarantowana powierzchnia (m ²)
	min.	maks.	min.	maks.	maks.
Korbka	400	2200	400	2800	6
Silnik LS40	510	3000	400	1800	5,4
Silnik 40 iO	565	3000	400	1800	5,4

Maks. wysokość z materiałem STNZ, STNBZ, SCR4005, SLTZB92 i SERGE 3Z wynosi tylko 900 mm

Standardowe wymiary dla kasety 90

Obsługa	Szerokość (mm)		Wysokość (mm)		Garantowana powierzchnia (m ²)
	min.	maks.	min.	maks.	maks.
Korbka	400	3000	400	3500	9
Silnik RTS, iO, WT	685	3500	400	3500	9

Maks. wysokość z materiałem STNZ, STNBZ, SCR4005, SLTZB92 i SERGE 3Z wynosi tylko 1800 mm

Standardowe wymiary dla kasety 110

Obsługa	Szerokość (mm)		Wysokość (mm)		Garantowana powierzchnia (m ²)
	min.	maks.	min.	maks.	maks.
Korbka	400	3500	400	3000	10
Silnik RTS, iO, WT	685	3500	400	4000	14

Maks. wysokość z materiałem STNZ, STNBZ, SCR4005, SLTZB92 i SERGE 3Z wynosi tylko 2600 mm

Uwaga:

Nieprzepuszczalna warstwa przy każdym typie montażu jest umieszczona na stronie okna. W przypadku montażu na zewnątrz silny wiatr może spowodować nieznaczne podnoszenie dolnej listwy i materiału.

Normalne zjawiska związane z tkaninami technicznymi

W okolicy zgrzewu lub pośrodku tkaniny może dojść do sfałdowania materiału, tzw. efektu choinkowego. To zjawisko jest normalne, ponieważ podczas używania na materiał działają różne siły. Następnym zjawiskiem mogą być widoczne odciski od walca na materiale. Znikną one przy wyższej temperaturze, kiedy materiał wyrówna się.

SCREEN HR7 (2-01355-XXXX, 2-01329-XXXX)

pozycja	nazwa pozycji	Nazwa handlowa	numer rysunku
1-8	KASETA do SCREEN 070/090/110/150 prostokątna lub czwóckątna		2-01356-PU11 - 2-01363-PU11
9	Profile dzielone		Patrz Profile dzielone
19	Materiał DZIELONY - (m2) do SCREEN		patrz wzornik SCREEN
170-172	Uchwyt ŚCIANA/STROP - kasetka 110 mm - SC700/800	ZPH080	6-014342-0000
510	Silniki (SOMFY, BECKER) Screen		Patrz Silniki (SOMFY, BECKER) Screen
900-910	Prowadzenie - listwa/linka - lewe - prawe		Patrz Prowadzenie - listwa/linka

Profile dzielone (3-03054-PU11)

pozycja	nazwa pozycji	Nazwa handlowa	numer rysunku
4	Uszczelka listwy dolnej	ZPH116	6-013974-0000
6	Profil dolny MAŁY	ZPH073	6-014446-0000
7	Profil dolny DUŻY	ZPH074	6-014021-0000
8	Pręt plastikowy 4 mm PVC	ZP0097/0004	6-016911-0004
8	Pręt plastikowy 6 mm PVC	ZPH169	6-015096-0000
9	Pręt plastikowy 3 mm PVC	ZP0097/0003	6-016911-0003
11	Profil do naprowadzania materiału	ZPH115 -1	7-303663-0000
19	Walek nawijający Al śr. 40mm - 6 m	ZPH122	6-014229-0000
20	Walek nawijający Al śr. 55mm - 6 m	ZPH123	6-014027-0000
21	Walek nawijający Al śr. 67mm - 6 m	ZPH124	6-013982-0000

Prowadzenie - listwa/linka - lewe - prawe (2-01634-PU11L/ P)

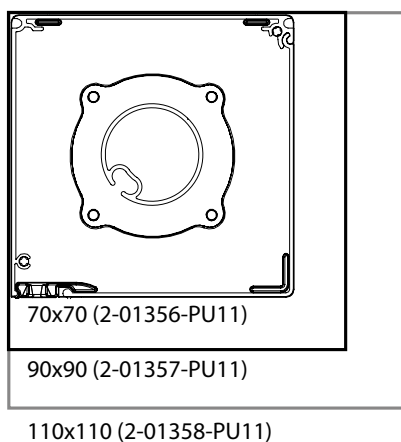
pozycja	nazwa pozycji	Nazwa handlowa	numer rysunku
110	Profil VL 720	ZPH063	6-014023-0000
111	Profil VL 725	ZPH064	6-014415-0000
112	Profil VL 728	ZPH065	6-014403-0000
113	Profil VL 755	ZPH066	6-014416-0000
114	Profil VL 756	ZPH067	6-014404-0000
140	Końcówka VL -CZARNA	ZPH094	6-014022-9004
141	Końcówka podwójna VL	ZPH093	6-014469-0000
200	Uchwyt VL 50mm	ZPH082	6-014549-0000
201	Uchwyt VL 60mm	ZPH083	6-014550-0000
202	Uchwyt VL 100mm	ZPH084	6-014552-0000
203	Uchwyt VL 130mm	ZPH085	6-014542-0000
210	Śruba M4x5, DIN 7985	51340.040.005	6-014559-0000
220	Podkładka M4, DIN 433	51930.040.001	6-014560-0000
230	Nakrętka M4 DIN 934	51080.040.001	6-014561-0000
700	Linka 2,5mm - NIERDZEWNIA	ZPH100	6-014036-0000
710	Kątownik linki KASETA typ 770	ZPH118	6-014029-0000
720	Kątownik linki KASETA typ 770 - ŚCIANA	ZPH119	6-014412-0000
730	Uchwyt linki - typ770	ZPH086	6-014033-0000
740	Śruba ustalająca M4x6, DIN 916	07930.040.006	6-006226-0000
750	Sprężyna do prowadzenia linka - typ770	ZPH098	6-014034-0000
760	Kątownik linki ŚCIANA / CZPALETA typ770	ZPH121	6-014030-0000
770	Śruba napinająca do prowadzenia linka - typ770	ZPH101	6-014035-0000
780	Nakrętka M6, DIN 439 B	51090.060.001	6-014158-0000
790	Kątownik linki PODLAHA typ770	ZPH120	6-014031-0000
800	Śruba M4x6 Zn DIN 965	51300.040.006	6-014445-0000

SCREEN HR7

Specyfikacja techniczna

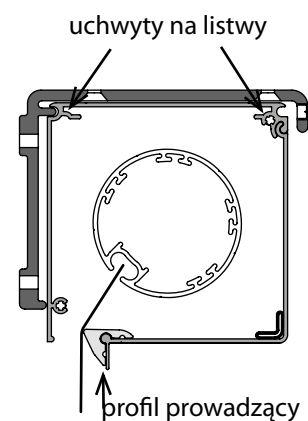
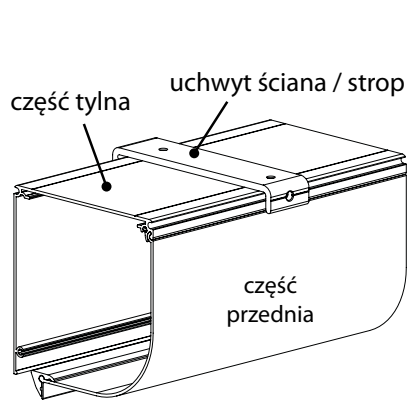
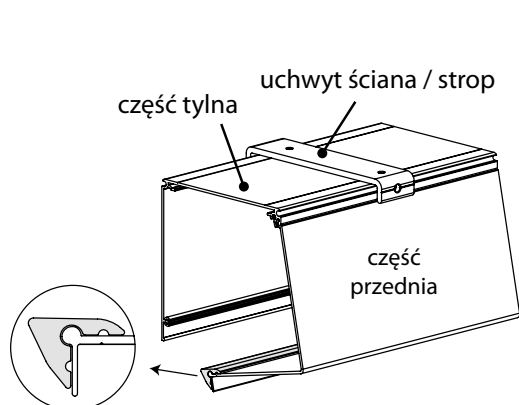
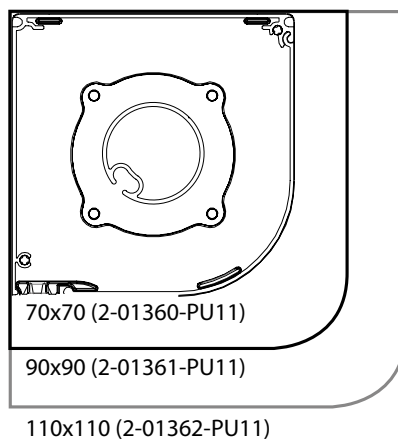
Profil górny - prostokątny

(2-01356, 2-01357, 2-01358)



Profil górny- ćwierćokrągły

(2-01360, 2-01361, 2-01362, 2-01363)

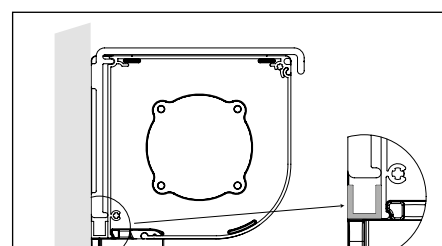


Tylna część kasety

Profil U- poziomy

Szczelinę między kasetą i ścianą można wypełnić poziomo z pomocą profilu U o wymiarach 10 x 10 x 10 mm, długość jest dana szerokością kasety.

Przeznaczenie: - uchwyt ściana / strop,

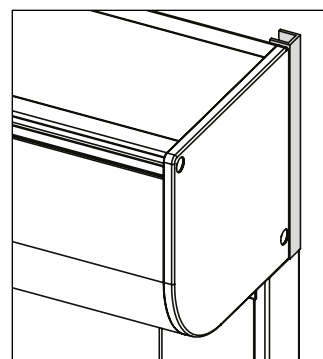


Profil U- poziomy

Profil U - pionowy

Szczelinę między kasetą i ścianą można wypełnić profilem (10 x 10 x 10 mm), długość jest dana szerokością kasety.

Przeznaczenie: - uchwyt ściana / strop.



Profil U - pionowy

Uchwyt ściana/strop – kasetka 70 mm, kasetka 90 mm, kasetka 110 mm

(6-014340, 6-014341, 6-014342)

Materiał: ekstrudowane aluminium z lakierem proszkowym

Dla instalacji wszystkich wielkości profilu górnego niezależnie od listew prowadzących – standardowe dla prowadzenia linką

Szerokość: 30 mm

Podnosi przednią stronę górnego profilu o 10 mm do przodu przy prowadzeniu linką. W przypadku prowadzenia linką lub bez prowadzenia jest konieczne zadanie umocowania ZS lub ZSTR.

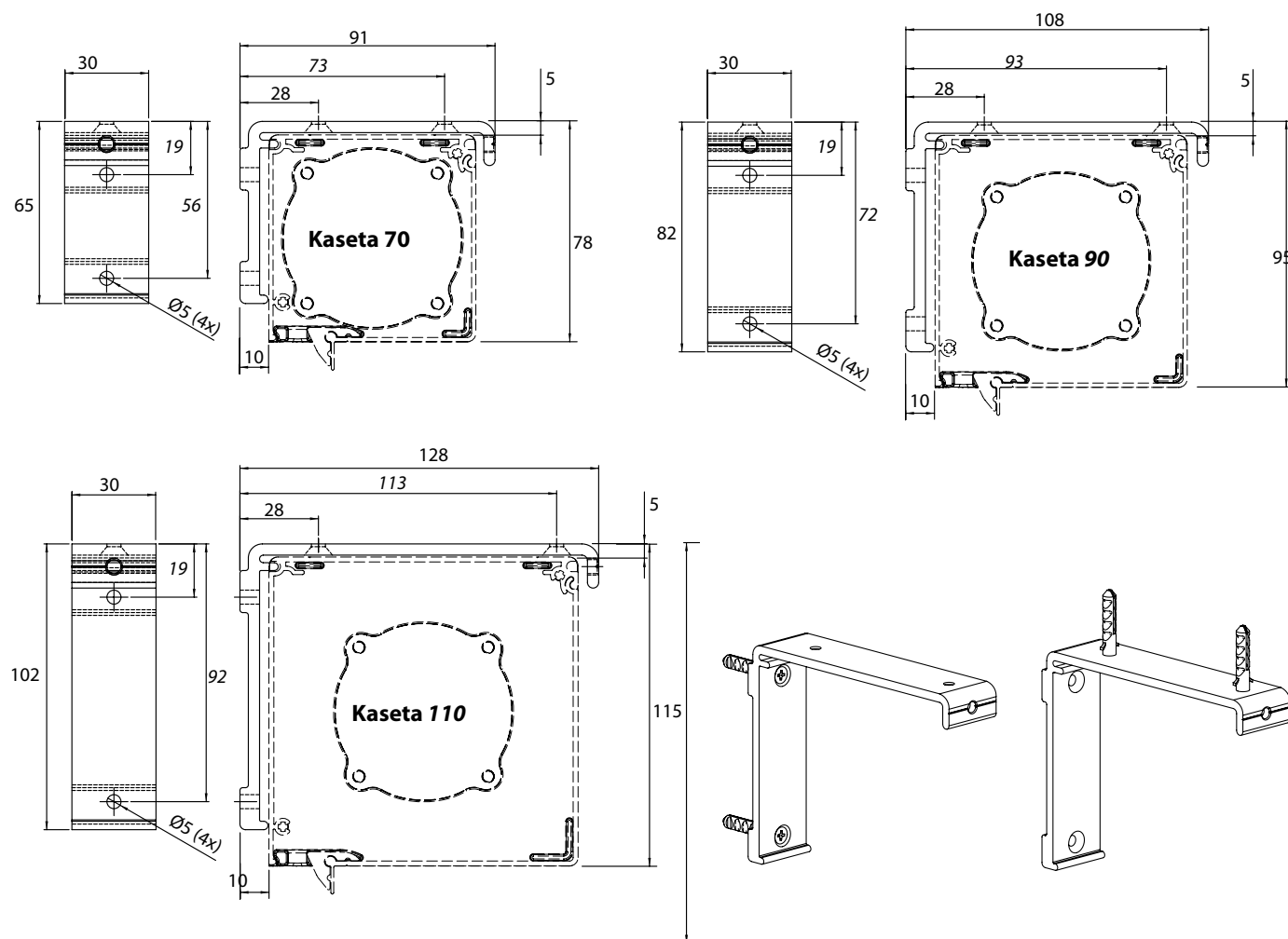
W przypadku prowadzenia listwami prowadzącymi jest konieczne zadanie umocowania =0 (trzyma na listwach prowadzących).

Standardowa liczba uchwytów ściana/strop:

Szerokość rolety (mm)	Prowadzenie	
	linka	listwa prowadząca
0 – 1500	2 szt.	0 (2*) szt.
1501 – 3000	3 szt.	3 szt.
3001 – 4500	4 szt.	4 szt.
4501 - 5000	5 szt.	5 szt.

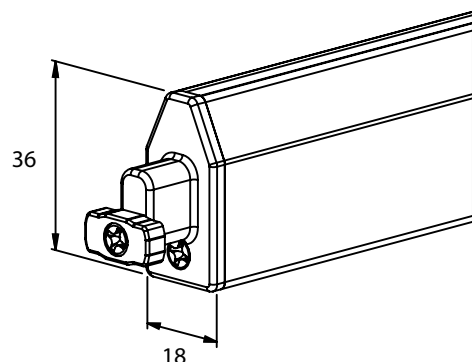
* Jeżeli w formularzu zamówieniowym będzie zadane „uchwyt ściana/strop” zostaną dostarczone 2 sztuki uchwytu (do szerokości rolety 1500 mm roleta jest samonośna).

Jeżeli jest użyty uchwyt ściana/strop, zalecamy użycie listwy prowadzącej typu A725, A728 i A755.

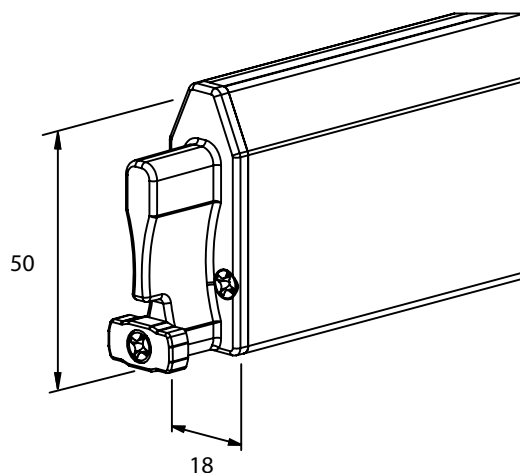


Profil dolny mały

(6-014446-0000)

**Profil dolny duży**

(6-014021-0000)



Materiał: ekstrudowane profile aluminiowe:

- z lakierem proszkowym
- z miejscem na pasek obciążający
- z rowkiem na materiał

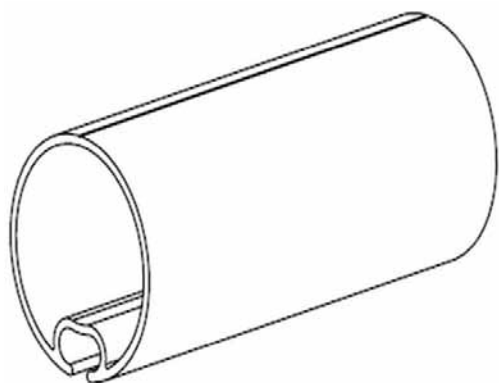
materiał jest umocowany do dolnej listwy z pomocą plastikowego pręta \varnothing 3 mm. Standardowo dostarcza się mały profil dolny, opcjonalnie profil dolny duży. Opcjonalnie gumowa uszczelka w dolnym profilu.

Końcówka listwy dolnej

- czarny zamszowany plastik
- kształt zależy od listwy dolnej
- zdejmowane

Walek nawijający śr. 40mm – 6m, śr. 55mm – 6m, 67mm – 6m

(6-014229-0000, 6-014027-0000, 6-013982-0000)



Materiał: ekstrudowane aluminium (\varnothing 40, \varnothing 55 lub \varnothing 67 mm).

Posiada rowek do umocowania materiału z pomocą plastikowego pręta \varnothing 4 mm do rury \varnothing 40 mm, \varnothing 55, \varnothing 67 mm.

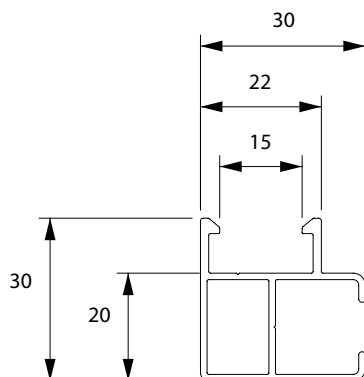
Można użyć różnych typów wałków nawijających w zależności od typu obsługi i typu kasety: rury \varnothing 40 mm (oprócz napędu elektrycznego), \varnothing 55 mm i \varnothing 67 mm

Listwy prowadzące

Materiał: ekstrudowane profile aluminiowe lakierowane proszkowo

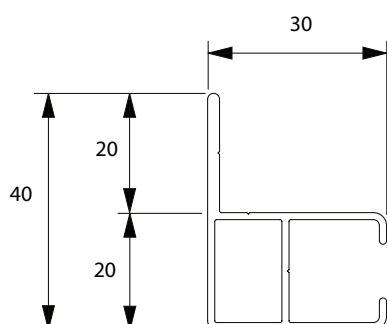
Listwa prowadząca T725 (6-014415-0000)

- standardowa listwa prowadząca do umocowania na zaczepy lub dla małej odległości od bocznej strony (10 mm).



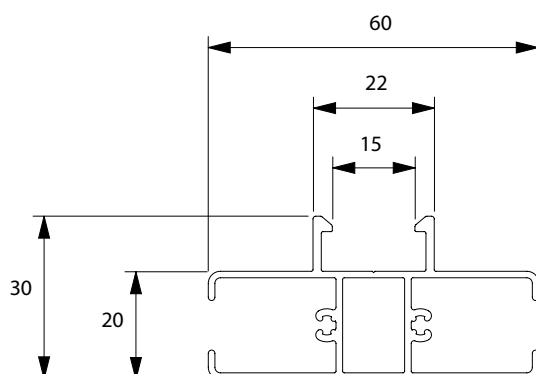
Listwa prowadząca T728 (6-014403-0000)

- listwa prowadząca z krótkim kołnierzem montażowym.



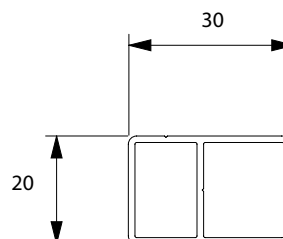
Listwa prowadząca T755 (6-014416)

- pomocnicza listwa prowadząca.



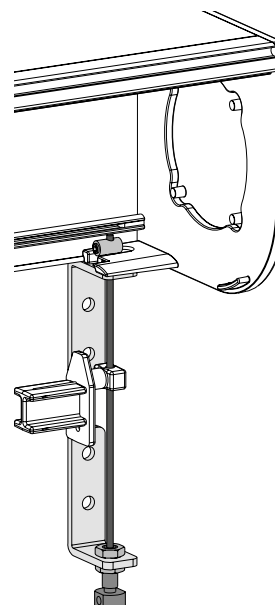
Listwa prowadząca T720 (6-014023-0000)

- płaska listwa prowadząca bez zaczepów.



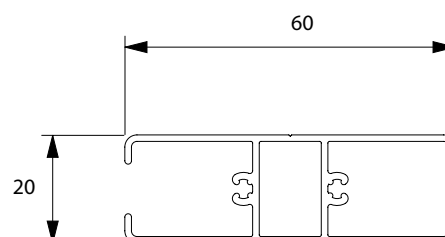
Linka prowadząca typ T770 (6-014036-0000)

- listwa prowadząca do linki nierdzewnej, z nierdzewnymi nośnikami lub w przypadku A1353 z okuciem na podłogę.



Listwa prowadząca T756 (6-014404)

- pomocnicza listwa prowadząca.



Listwy prowadzące - wiercenie na przedniej/bocznej stronie (z obustron na krawędzi 200 mm)

do wysokości 1500 mm	2 otwory (końcowe)
powyżej 1500 mm do 3000 mm	3 otwory (2 końcowe otwory + 1 otwór w środku)
od 3000 mm do 4500 mm	4 otwory (2 końcowe otwory + 2 otwory w środku)
od 4500 mm	5 otworów (2 końcowe otwory + 3 otwory w środku)

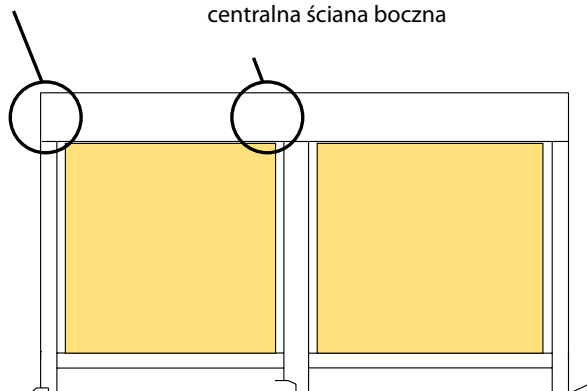
Ściana boczna:

Podstawowa ściana boczna: - aluminiowe ściany boczne z odlewanymi czopami pod ciśnieniem (nie dotyczy prowadzenia linką) = montaż na czopy, uniwersalne płyty nośne z czarnego syntetycznego materiału.

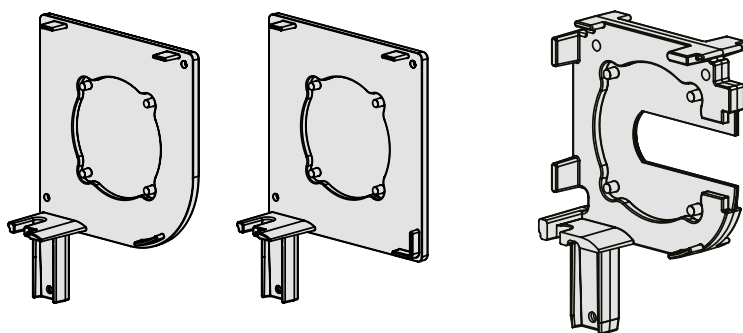
Środkowe ściany boczne: - aluminiowa ściana boczna z czopami odlewanymi pod ciśnieniem,
- trzymają łożysko rolet sprzężonych lub uniwersalną płytę nośną.

podstawowa ściana boczna

centralna ściana boczna



montaż na czopy-podstawowa ściana boczna montaż na czopy - centralna ściana boczna



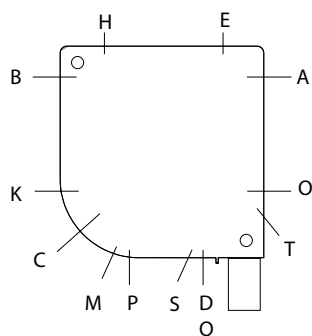
x	Tak
x	Możliwość tylko z prostokątną kasetą
	Użycie z przekładnią z krótkim okiem
	Użycie z przekładnią z długim okiem
E/H*	Do montażu strop/nadproże lub użycia wewnątrz z powodu przenikania wody.
o	Nie jest możliwe

Obsługa umieszczenie - wyjście

Typ montażu	Obsługa	O			A			E/H*			T			B		
		70	90	110	70	90	110	70	90	110	70	90	110	70	90	110
A-AE	Silnik	x	x	x	x	x	x	o	o	x						
	Korbka 45°										x	x	x			
	Korbka 90°	o	x	x	x	x	x									
	Korbka z okiem															
B-BE	Silnik							o	o	x				x	x	x
	Korbka 45°															
	Korbka 90°													x	x	x
	Korbka z okiem															

Typ montażu	Obsługa	K			P			Q/D*			C			S		
		70	90	110	70	90	110	70	90	110	70	90	110	70	90	110
A-AE	Silnik															x
	Korbka 45°															
	Korbka 90°															
	Korbka z okiem								o	o					o	
B-BE	Silnik	x	x	x				o	o	o						
	Korbka 45°										x	x	x			
	Korbka 90°	x	x	x												
	Korbka z okiem															

Wyjścia do obsługi



W zależności od obsługi istnieje kilka wariantów wyjść. Dokładna pozycja wyjść jest pokazana na odpowiednich rysunkach. Dlatego przed instalacją należy je uważnie przestudiować.

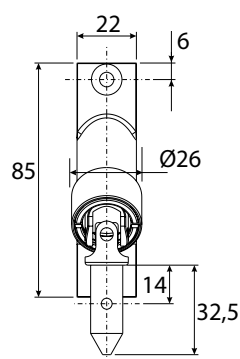
Obsługa - korbka

Obsługa wewnątrz

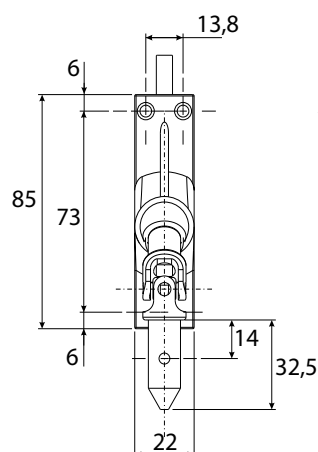
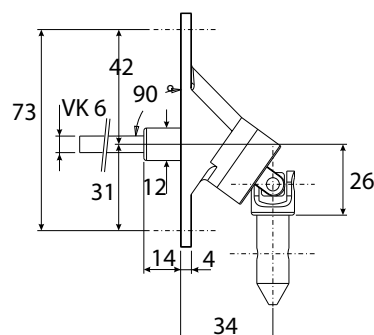
Standardowa: - szara plastikowa składana korbka,
 - przegub kardanowy 90° (materiał korbki: 6 mm prostokątny, długość 320 mm),
 - konsola magnetyczna trzymająca korbkę na ścianie,
 - długość korbki zależy od wysokości rolety: $L = H - 150$ mm (z przegubem 90°), $L = H - 350$ mm (z przegubem 45°).

Alternatywa: - przegub kardanowy 45°,
 - zdejmowana korbka ze specjalnym sprzęgłem,
 - bez zdejmowanej korbki, ze specjalnym sprzęgłem.

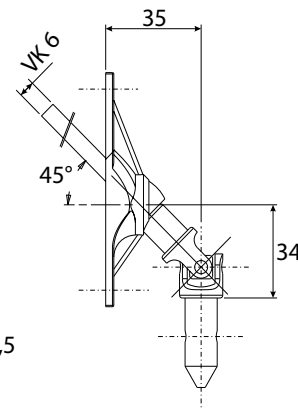
Uwaga: płyta połączenia przegubowego nie może być umocowana bezpośrednio na kasecie, dlatego jest konieczne zapewnienie dalszego miejsca koło kasety.



Przegub kardanowy 90°



Przegub kardanowy 45°



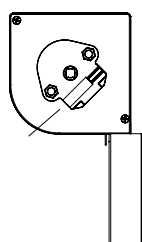
Obsługa zewnętrzna

Standardowa: - obsługa korbką z okiem, zdejmowana korbka z hakiem, długość 1500 mm.

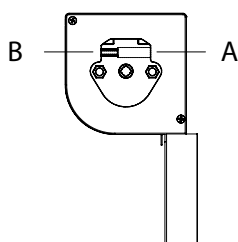
Alternatywa: - inne długości korbek są za dopłatą.

Uwaga: zapewnić dostatek miejsca na boku (± 10 mm) z powodu obracania haka korbki w oku.

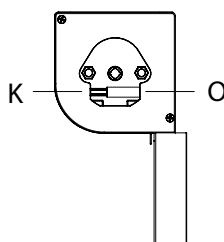
Wyjścia do obsługi - korbka



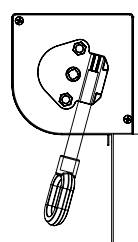
Korbka 45°
wyjście C



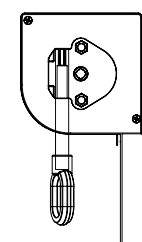
Korbka 90°
wyjście A - B



Korbka 90°
wyjście O - K

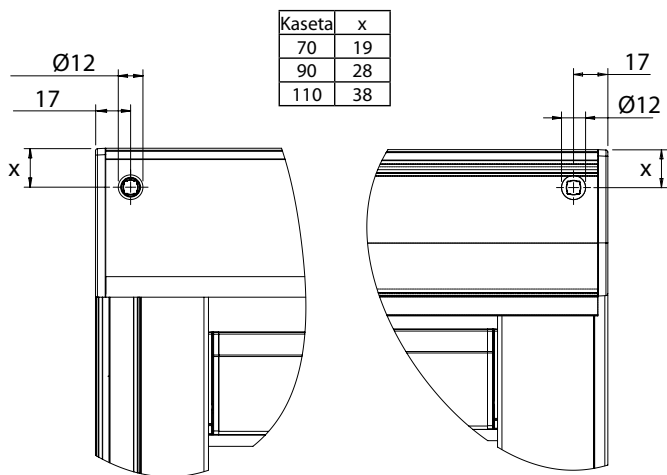


Korbka + oko
wyjście S



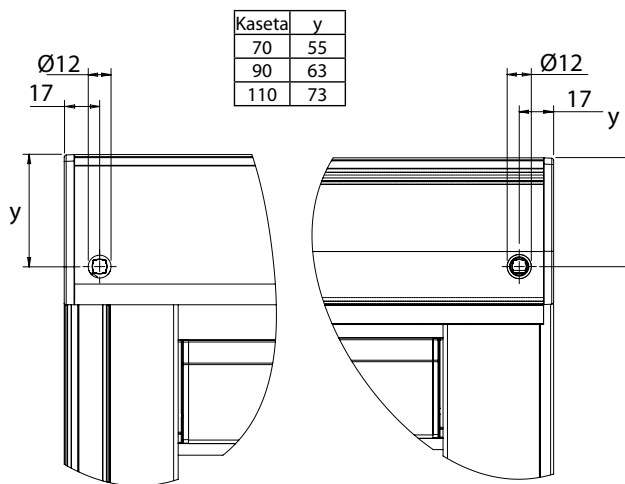
Korbka + oko
wyjście P

Wyjścia do obsługi na korbkę przez ścianę



Korbka 90°
wyjście A

Korbka 90°
wyjście B

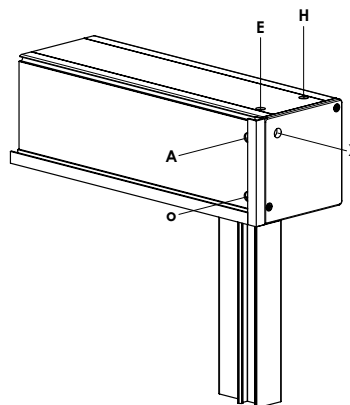
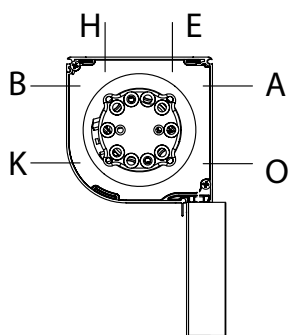


Korbka 90°
wyjście O

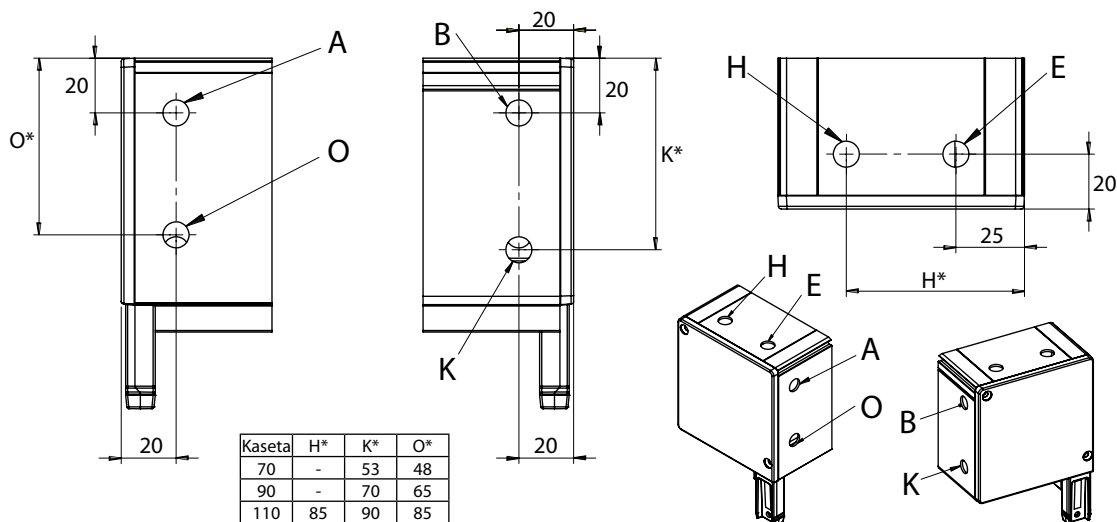
Korbka 90°
wyjście K

Obsługa – Silnik

Możliwość wyboru umieszczenia kabla



na lewo, wyprowadzenie X (ze ściany bocznej) tylko dla kasety 110 i 150
na prawo, wyprowadzenie X (ze ściany bocznej) tylko dla kasety 110 i 150



Rolety sprzężone

Można użyć jednej kasety dla 2 do 3 rolet ekranowych. DVC: rolety bezpośrednio obok siebie,

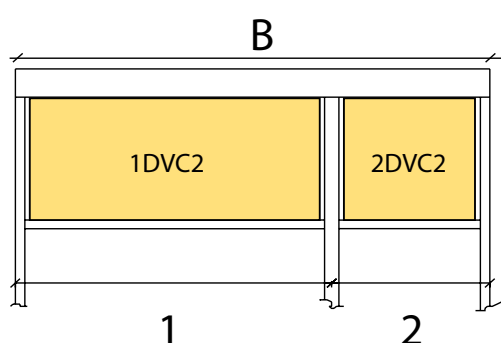
DVS: rolety z co najmniej jedną przerwą:

- min. 25 mm
- maks. 500 mm

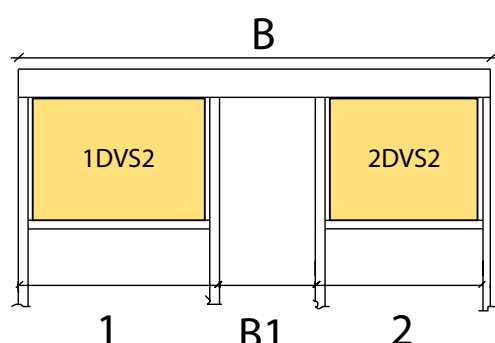
Maksymalna szerokość kasety 6 m.

Możliwe z 1, 2 lub 3 miejscami obsługi.

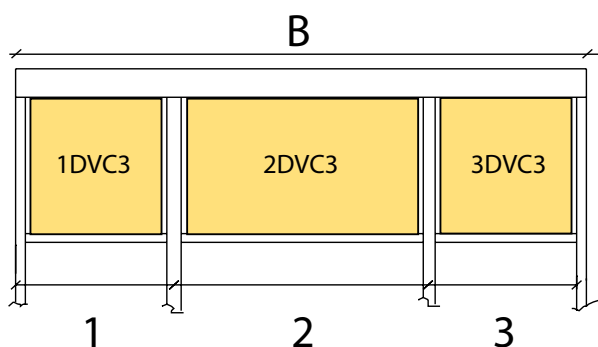
- Minimalna szerokość pojedynczej rolety ekranowej zależy od typu obsługi.
- Maksymalna całkowita szerokość zależy od typu obsługi.
- Obsługę korbką i napęd elektryczny można sprzęgać aż na 6 m.
- Zaleca się zainstalowanie jednostki sterującej do największej rolety.



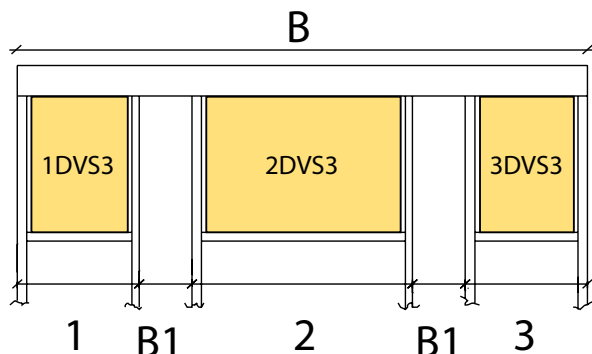
1DVC2 - 1. roleta we wspólnej kasecie z 2
2DVC2 - 2. roleta we wspólnej kasecie z 2



1DVS2 - 1. roleta we wspólnej kasecie z 2
2DVS2 - 2. roleta we wspólnej kasecie z 2



1DVC3 - 1. roleta we wspólnej kasecie z 3
2DVC3 - 2. roleta we wspólnej kasecie z 3
3DVC3 - 3. roleta we wspólnej kasecie z 3



1DVS3 - 1. roleta we wspólnej kasecie z 3
2DVS3 - 2. roleta we wspólnej kasecie z 3
3DVS3 - 3. roleta we wspólnej kasecie z 3

B = szerokość kasety

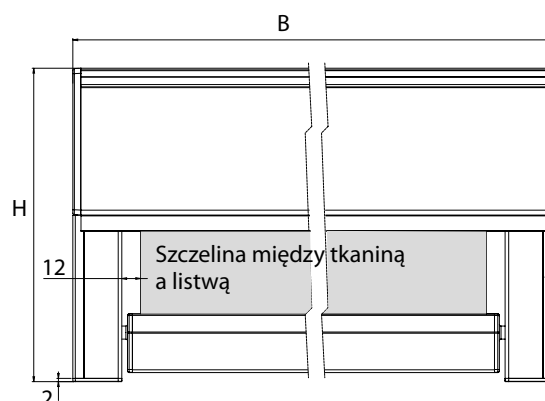
B1 = szerokość między roletami

SCREEN HR7

Wymiarowanie

Szerokość finalna B = odległość między konsolami końcowymi.
Wysokość finalna H = wysokość wraz z kasetą i końcówkami prowadzącymi H listew (grubość = 2 mm) z wyjątkiem uchwyt ściana/strop.

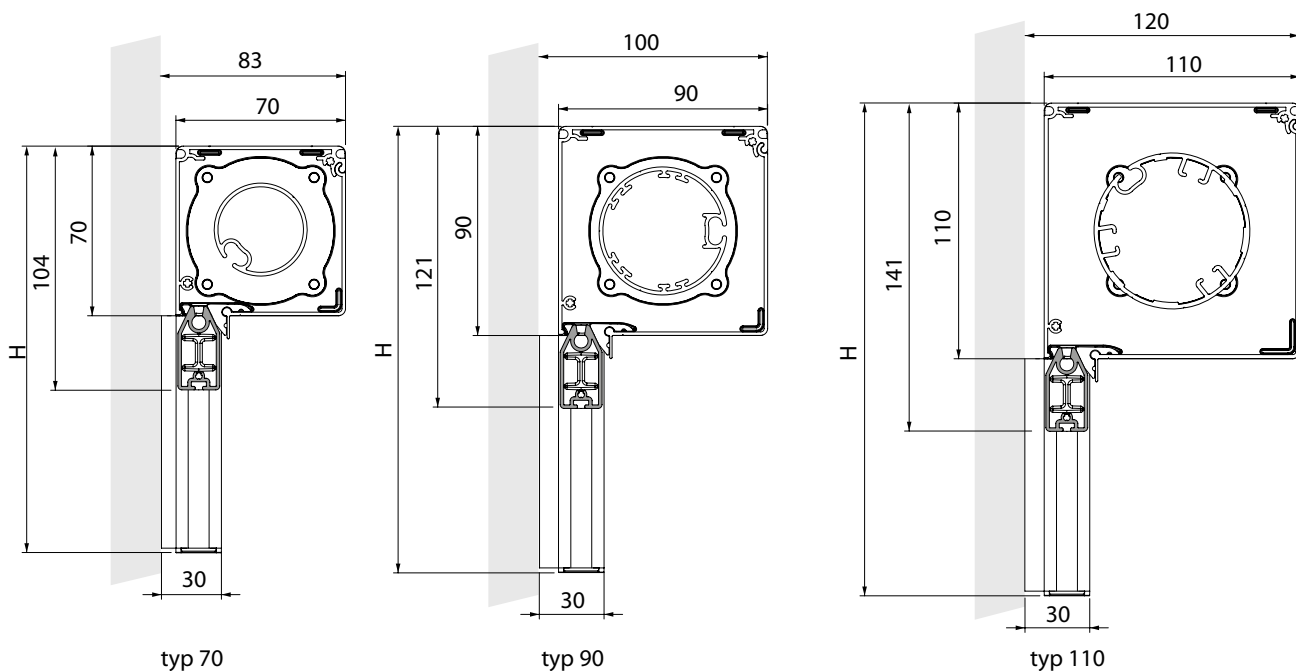
Uwaga: wysokość finalna H ze stalowymi linkami prowadzącymi jest to wysokość od górnej krawędzi do spodniej strony dolnej listwy.



SCREEN HR7

Montaż

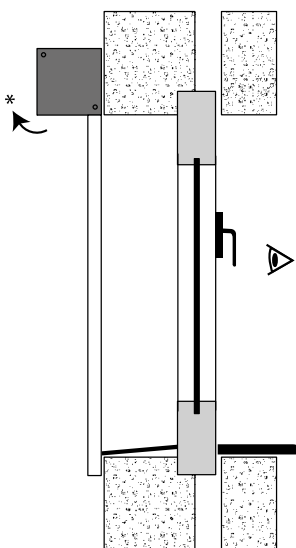
Montaż na czopy z listwą prowadzącą i niską listwą dolną



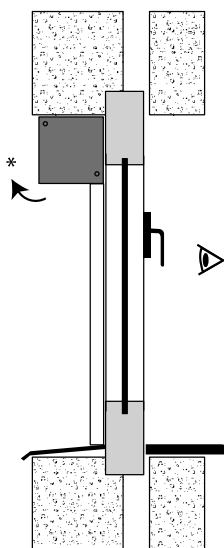
H - patrz Standardowe wymiary, strona 56-57

Typ montażu

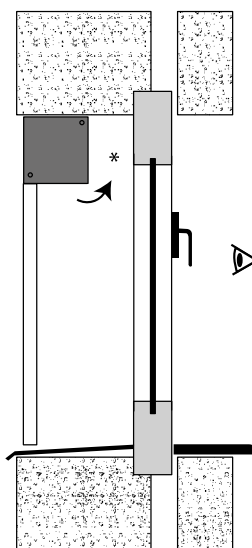
Typ A-AE (na ścianę)



Typ A-AE (do szpalety)

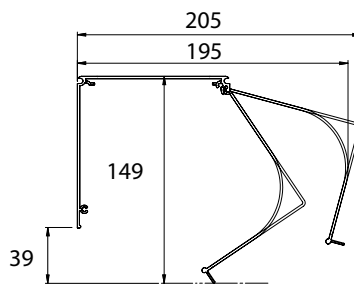
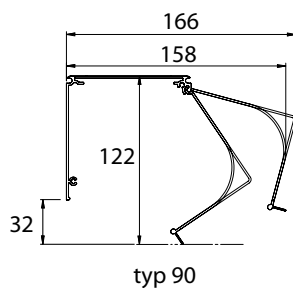
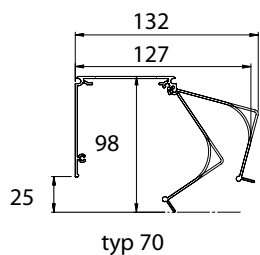


Typ B-BE (do szpalety)



- A - nawój do okna „A” (standard)
- AE - nawój do okna „AE” (zewnątrzna strona jaśniejsza)
- B - nawój od okna „B” BE
- nawój od okna „BE” (zewnątrzna strona jaśniejsza)

* miejsce na oświetlenie kasety



typ 110

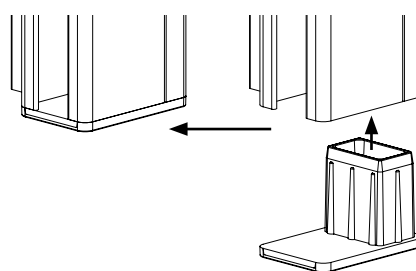
Montaż na czopy

Kasetę montuje się do listew prowadzących. Listwy poruszają się po czopach konsoli.

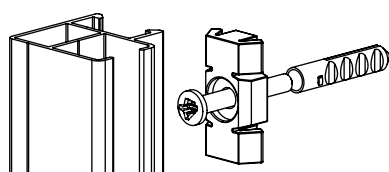
Montaż na czopy



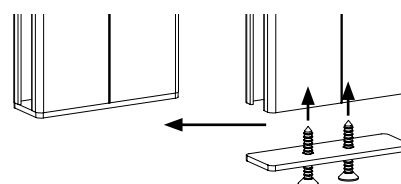
Ogranicznik końcowy



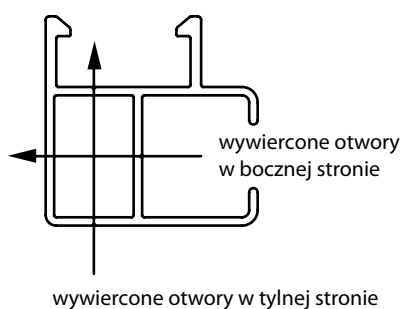
Zaczepek na listwy prowadzące 725 lub 755



Ogranicznik końcowy na pomocniczej listwie prowadzącej



Z ogranicznikiem końcowym z czarnego plastiku lub blachą końcową z aluminium na spodniej stronie dla zderzaka listwy dolnej; grubość 2 mm.

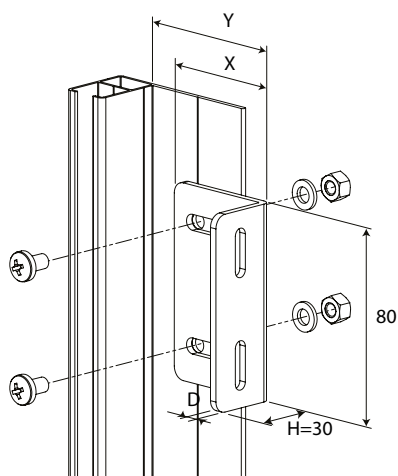


Listwy prowadzące dla wywierconych otworów w bocznej i/lub tylnej stronie:

Otwory	725	720	728	755	756	740
czołowy strona	x	x	-	x	x	-
boczna strona	x	x	x	-	-	-

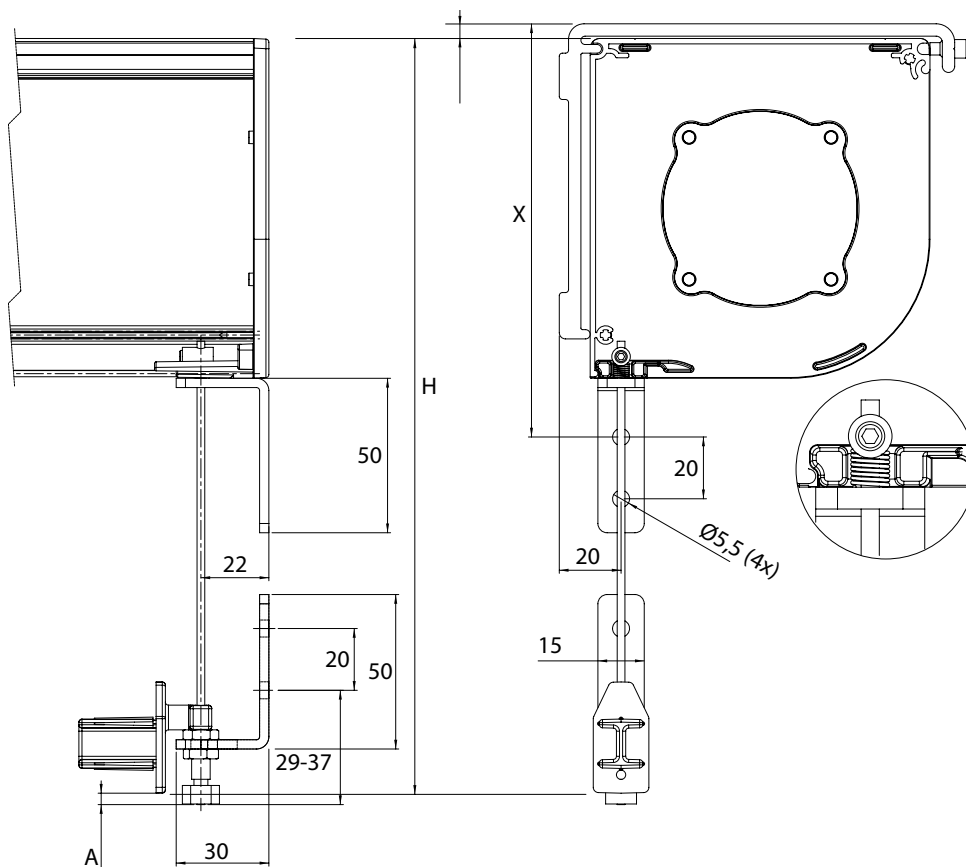
Niektóre listwy prowadzące można dostarczyć z wywierconymi otworami w tylnej lub bocznej stronie.

Uchwyt na listwy prowadzące 728

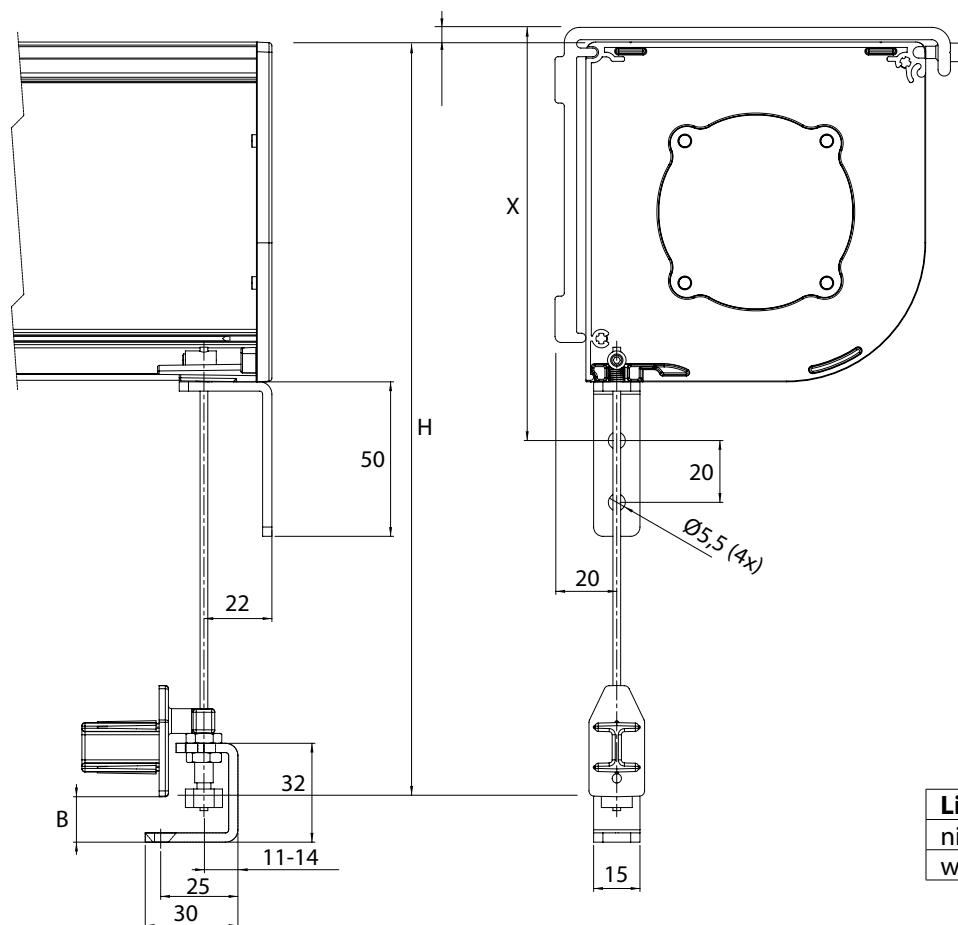


X × H × D	X	Y	nr rysunku
50 × 30 × 3	50	50–65	6-014549-0000
60 × 30 × 3	60	60–75	6-014550-0000
100 × 30 × 3	100	100–115	6-014552-0000
130 × 30 × 3	130	130–145	6-014542-0000

Linka prowadząca 770 – montaż na czopy do szpalety



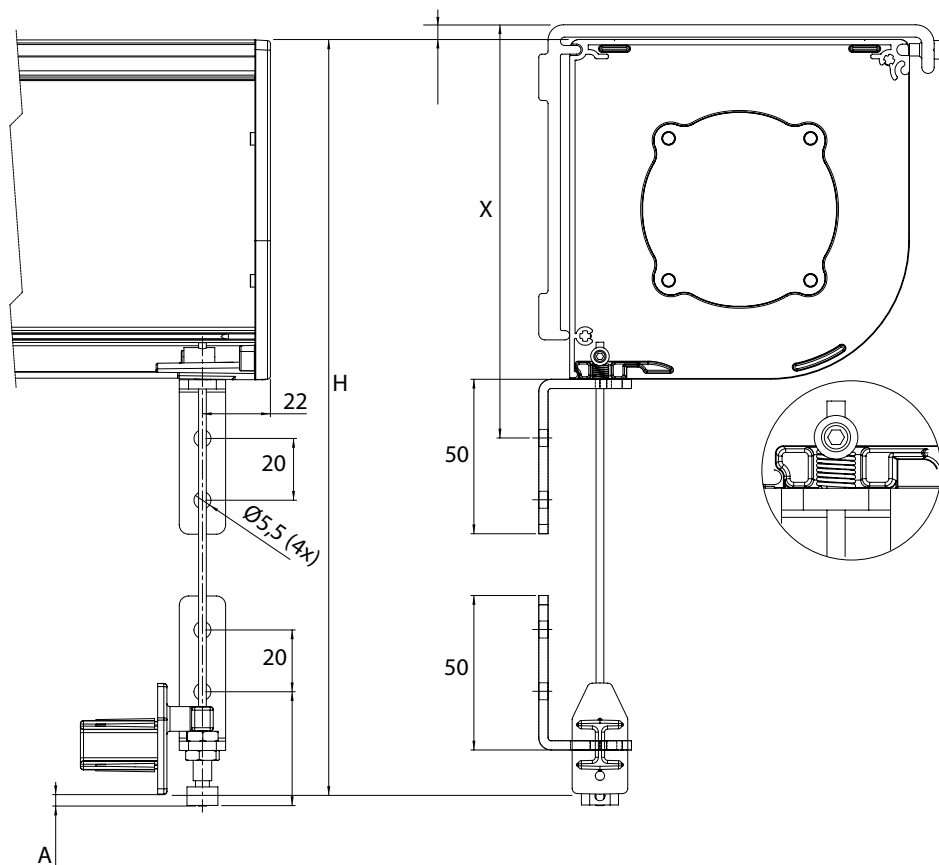
Wielkość kasety	X
70	98
90	115
110	135



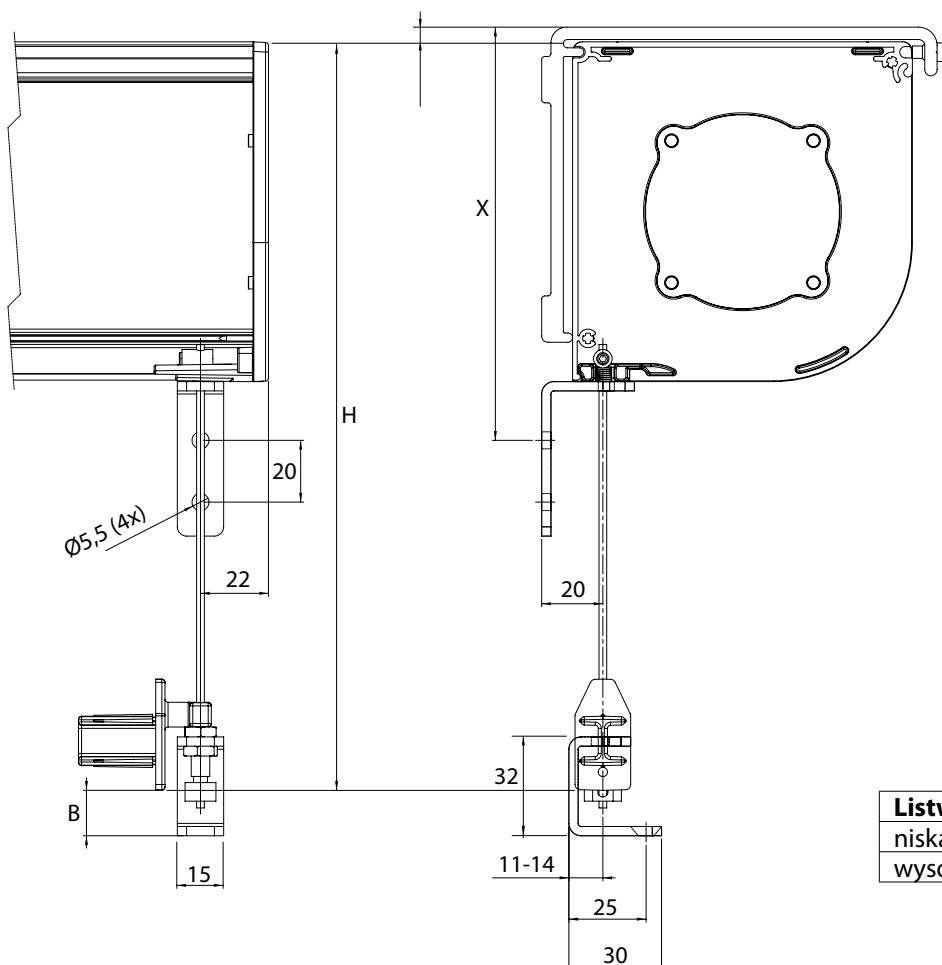
Listwa dolna	A	B
niska	4	15...23
wysoka	-10	1...9

H - patrz Standardowe wymiary, strona 56-57

Linka prowadząca 770 – montaż na czopy na ścianę



Wielkość kasety	X
70	98
90	115
110	135



Listwa dolna	A	B
niska	4	15
wysoka	-10	1

SCREEN HR8-ZIP

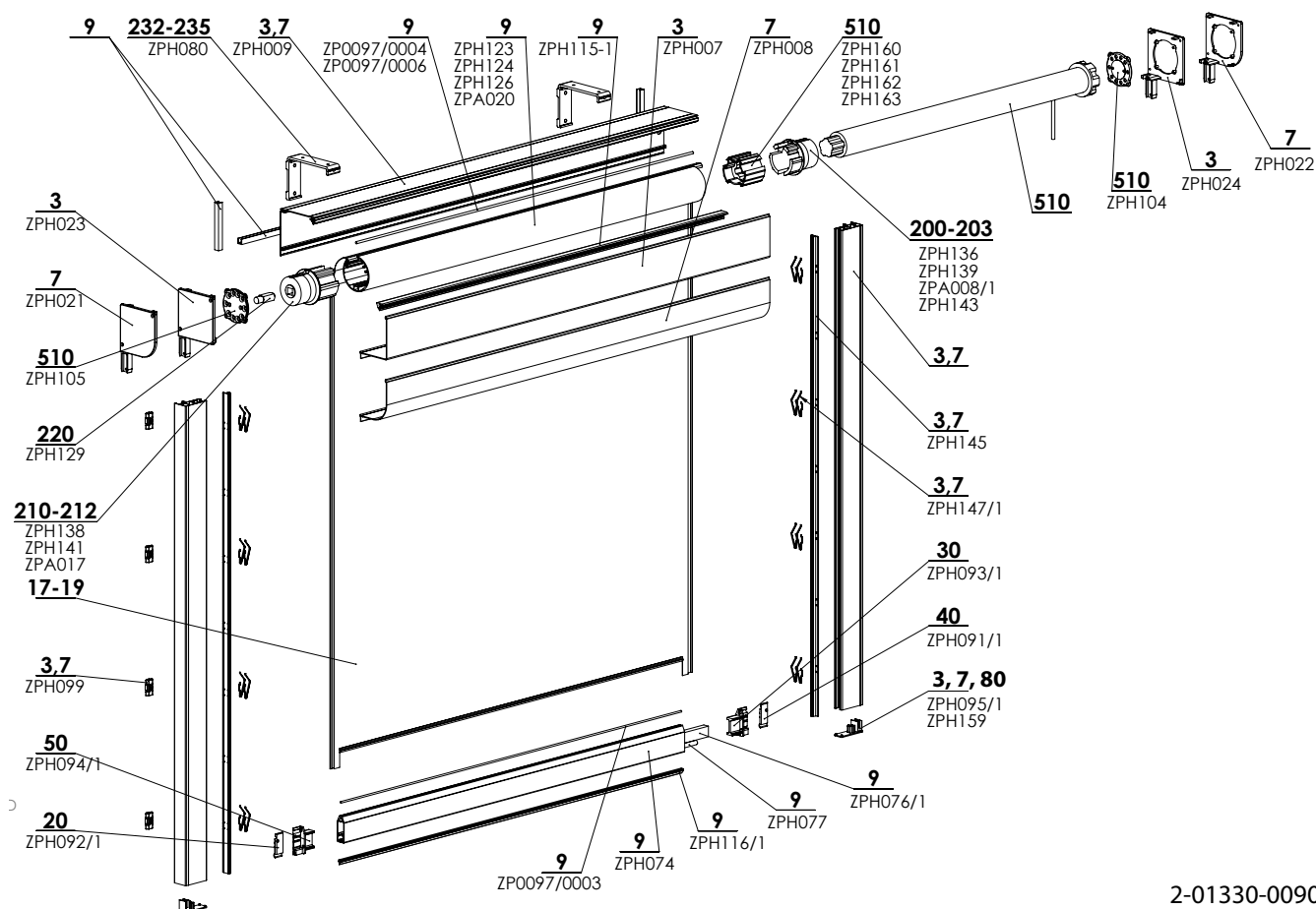


- ▲ 2 typy nowoczesnych kaset: z ostrymi rogami do surowej architektury, lub zaokrąglona do bardziej tradycyjnych budynków, oba typy dostępne w 4 wielkościach,
- ▲ wyważona dolna listwa do prowadzenia i napięcia tkaniny,
- ▲ klasa odporności na wiatr 3,
- ▲ możliwość sprzężenia do 3 sztuk rolet,
- ▲ prosty montaż,
- ▲ gwarantowana powierzchnia do 18 m².

ISOTRA *Quality*

SCREEN HR8-ZIP

Podstawowa specyfikacja produktu



2-01330-0090

Obsługa

Służy do spuszczenia i podnoszenia rolety ekranowej. Dla wszystkich wielkości kasety są do dyspozycji dwa typy obsługi:

Silnik – Maestria WT/io, Altus RTS, Becker C/E, Geiger AIR, Sunea Screen IO (min. szerokość 795), dla kasety o wymiarach 70x70 można użyć tylko następujących silników: LS40, Sunea IO 40, Becker 40 C/E Isotra Basic.

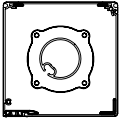
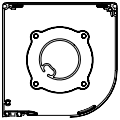
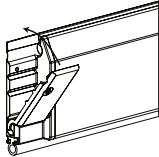
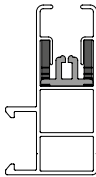
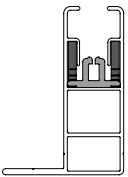
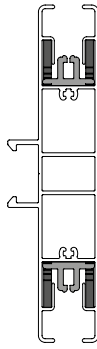
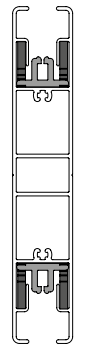
Korbka – ze ślimakiem samohamującym i kołem ślimakowym, przełożenie 1:4, wbudowany ogranicznik końcowy (zapobiega nieprawidłowemu nawijaniu materiału).

Specyfikacja (dla silnika)

	Kaseta		Dolny profil duży	Boczne prowadzenie listwa prowadząca				
	prostokątna	ćwierćokrągła		ZPH070	ZPH068	ZPH069	ZPH071	ZPH072
Nazwa handlowa	SCREEN HR8-ZIP Kaseta 110		ZPH074	ZPH070	ZPH068	ZPH069	ZPH071	ZPH072
Wymiar (mm)	70x70, 90x90, 110x110, 150x150	70x70, 90x90, 110x110, 150x150	18x50	30x40	20x40	40x40	30x80	20x80
Materiał	Al	Al	Al	Al	Al	Al	Al	Al
Kolor	Standardowe: RAL 9006 jasno srebrny RAL 9006S jasno srebrna struktura RAL 9007 ciemno srebrny RAL 9007S ciemno srebrna struktura RAL 9010 biały		RAL 9010M biały matowy RAL 7016 antracytowo szary RAL 7016M antracytowo szary matowy RAL 7016S antracytowo szara struktura RAL 8014 brązowy RAL 8014M brązowy matowy	RAL 7012 bazaltowy szary RAL 7021 czarno szary DB 702 Perłowo jasny szary DB 703 Perłowo ciemny szary pozostałe kolory RAL na życzenie*				

*oprócz części plastikowych

Specyfikacja (dla korbki)

	Kaseta		Dolny profil duży	Boczne prowadzenie listwa prowadząca			
	prostokątna	ćwierćokrągła		ZPH152	ZPH154	ZPH156	ZPH155
Nazwa handlowa	SCREEN HR8-ZIP Kaseta 110						
Wymiar (mm)	70x70, 90x90, 110x110, 150x150	70x70, 90x90, 110x110, 150x150	18x50	30x55	40x55	30x110	20x110
Materiał	Al	Al	Al	Al	Al	Al	Al
							
				typ 829	typ 828	typ 855	typ 856
Kolor	Standardowa: RAL 9006 jasno srebrny RAL 9007 ciemno srebrny RAL 9010 biały		RAL 7016 antracytowo szary RAL 7016S antracytowo szara struktura RAL 8014 brązowy		pozostałe kolory RAL na życzenie*		

*oprócz części plastikowych

Materiały typu Blackout:

Nieprzepuszczalna warstwa przy każdym typie montażu jest umieszczona na stronie okna. W przypadku montażu na zewnątrz silny wiatr może spowodować nieznaczne podnoszenie dolnej listwy i materiału, dlatego nie zawsze można gwarantować 100 % zaciemnienie. W przypadku materiałów Blackout zipy są umocowane na stronie licowej, nie na warstwie przezroczystej, dlatego jest możliwe, że przy silnym wietrze lub patrząc z boku na listwę prowadzącą będzie widać kawałek materiału z taśmy zipu, ale ma to małe znaczenie w porównaniu z widokiem lub szczelnością materiału (ograniczenie fałdowania).

Normalne zjawiska związane z tkaninami technicznymi

W okolicy zgrzewu lub pośrodku tkaniny może dojść do sfaldowania materiału, tzw. efektu choinkowego. To zjawisko jest normalne, ponieważ podczas używania na materiał działają różne siły. Następnym zjawiskiem mogą być widoczne odciski od walca na materiale. Znikną one przy wyższej temperaturze, kiedy materiał wyrówna się.

Standardowe wymiary

Standardowe wymiary dla kasety 70

Obsługa	Szerokość (mm)		Wysokość (mm)		Gwarantowana powierzchnia (m ²)
	min.	maks.	min.	maks.	maks.
Korbka	400	2500	400	1200	3
Silnik LS40	580	2500	400	1200	3
Silnik 40 iO	635	2500	400	1200	3

Maks. wysokość z materiałem STNZ, STNBZ, SCR4005, SLTZB92 i SERGE 3Z wynosi tylko 900 mm

Standardowe wymiary dla kasety 90

Obsługa	Szerokość (mm)		Wysokość (mm)		Gwarantowana powierzchnia (m ²)
	min.	maks.	min.	maks.	maks.
Korbka	400	2800	400	2500	7
Silnik RTS, iO, WT	795	2800	400	2500	7
system solarny*	595	2500	400	3000	7

Maks. wysokość z materiałem STNZ, STNBZ, SCR4005, SLTZB92 i SERGE 3Z wynosi tylko 1800 mm

Standardowe wymiary dla kasety 110

Obsługa	Szerokość (mm)		Wysokość (mm)		Gwarantowana powierzchnia (m ²)
	min.	maks.	min.	maks.	maks.
Korbka	400	3500	400	3500	10
Silnik RTS, iO, WT	795	3800	400	3500	13
system solarny*	595	2500	400	3000	7,5

Maks. wysokość z materiałem STNZ, STNBZ, SCR4005, SLTZB92 i SERGE 3Z wynosi tylko 2600 mm

Standardowe wymiary dla kasety 150

Obsługa	Szerokość (mm)		Wysokość (mm)		Gwarantowana powierzchnia (m ²)
	min.	maks.	min.	maks.	maks.
Korbka	400	3000	400	5000	12
Silnik RTS, iO, WT	795	6000	400	5000	18
system solarny*	595	2500	400	3000*	7,5

Maks. wysokość z materiałem STNZ, STNBZ, SCR4005, SLTZB92 i SERGE 3Z wynosi tylko 4500 mm

* kaseta tylko prostokątna

** Maks. wysokość z materiałem STNZ, STNBZ, SCR4005, SLTZB92 i SERGE 3Z wynosi tylko 2600 mm

SCREEN HR8-ZIP (2-01330-XXXX)

pozycja	nazwa pozycji	Nazwa handlowa	numer rysunku
1-8	Kaseta dla screen		patrz strona 77
9	Profile dzielone		Patrz Profile dzielone
19	Materiał dzielony (m ²) do screen		patrz wzornik SCREEN
20	Bezpiecznik końcówki listwy dolnej - lewy czarny	ZPH092/1	3-03659-9004
30	Końcówka listwy dolnej - prawa czarna	ZPH093/1	3-03657-9004
40	Bezpiecznik końcówki listwy dolnej - prawy czarny	ZPH091/1	3-03658-9004
50	Końcówka listwy dolnej - lewa czarna	ZPH094/1	3-03656-9004
90	Wkręt 2,9x9,5 DIN 7982	ZPH173	6-014233-0000
100	Wkręt 2,9x13 DIN 7982	51680.029.013	6-014234-0000
110	Wkręt 3,5x9,5 DIN 7981	A 67/18	6-012359-0000
200	Kołpak wałka śr. 55mm	ZPH136	6-014238-0000
200	Kołpak wałka śr. 67mm	ZPH139	6-013984-0000
200	Końcówka wałka śr. 85mm -przelotowa	ZPA008/1	3-04003-9004
200	Kołpak wałka śr. 95mm	ZPH143	6-014237-0000
210	Kołpak wałka śr. 55mm z kwadratowym otworem 12	ZPH138	6-014243-0000
210	Kołpak wałka śr. 67mm z kwadratowym otworem 12	ZPH141	6-013983-0000
221	Kołek kwadratowy - 12mm Fe/Zn L=99mm	ZPH127	6-014271-0000
510	Silniki (SOMFY, BECKER) Screen		patrz strona 84
520	Obsługa ręczna		patrz strona 83
900-910	Prowadzenie - listwa/linka - lewe - prawe		patrz Prowadzenie - listwa/linka - lewe - prawe

Profile dzielone (3-03054-PU11)

pozycja	nazwa pozycji	Nazwa handlowa	numer rysunku
5	Profil obciążnika listwy dolnej śr. 8mm - Fe/Zn	ZPH077	6-013966-0000
6	Profil obciążnika dolnej listwy 20x12mm - Zn	ZPH076/1	3-04746-PU27
7	Profil dolny DUŻY	ZPH074	6-014021-0000
8	Pręt plastikowy 3,0 mm PVC	ZP0097/0003	6-016911-0003
11	Uszczelka listwy dolnej ALFA	ZPH116/1	7-303664-0000
19	Walek nawijający Al śr. 40mm - 6 m	ZPH122	6-014229-0000
20	Walek nawijający Al śr. 55mm - 6 m	ZPH123	6-014027-0000
21	Walek nawijający Al śr. 67mm - 6 m	ZPH124	6-013982-0000
22	Walek nawijający śr. 85x1, 20mm - 6 m	ZPA020	6-016860-0000
23	Walek nawijający Al śr. 95mm - 6 m	ZPH126	6-014231-0000
24	Profil do naprowadzania materiału	ZPH115 -1	7-303663-0000
25	Pręt plastikowy 4,0 mm PVC	ZP0097/0004	6-016911-0004

Prowadzenie - listwa/linka - lewe - prawe (2-01634-PU11L/P)

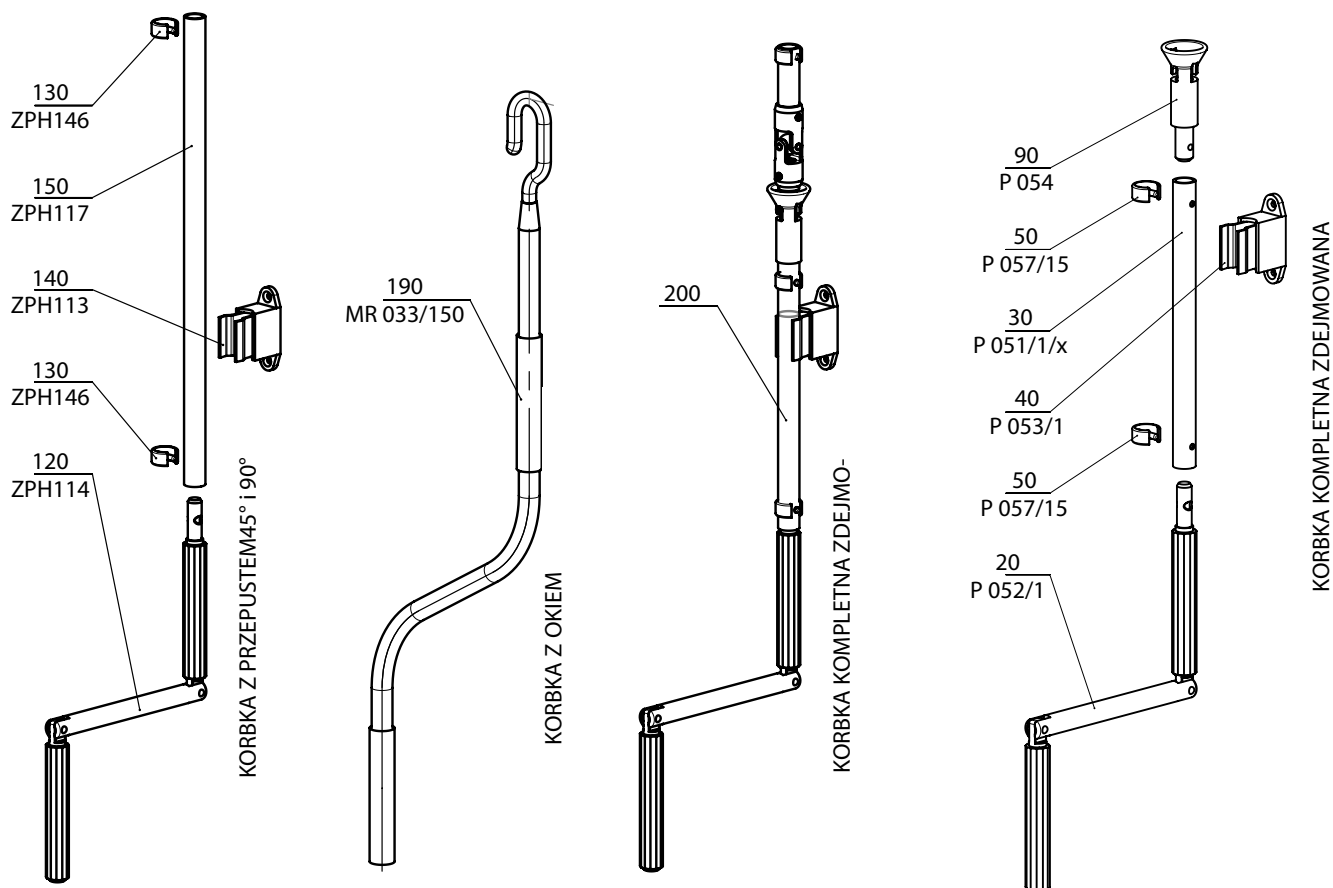
pozycja	nazwa pozycji	Nazwa handlowa	numer rysunku
10	Profil VL 820,830,828,838,829,839,855,865,856,866		dla kasety 70
11	Profil VL 820,830,828,838,829,839,855,865,856,866		dla kasety 90
12	Profil VL 820,830,828,838,829,839,855,865,856,866		dla kasety 110
13	Profil VL 820,830,828,838,829,839,855,865,856,866		dla kasety 150
15	Profil prowadzący HR8-ZIP dla zip v3	ZPH145	6-014155-0000
20	Sprężyna VL HR8-ZIP	ZPH147/1	7-303662-0000
30	Clip VL HR8-ZIP	ZPH099	6-013993-0000
40	Wkręt 4,2x25, DIN 7981	51660.042.025	6-014157-0000
80	Końcówka VL - 40	ZPH095/1	3-03667-9004
81	Końcówka podwójna VL HR8-ZIP	ZPH127	6-014442-0000
200	Uchwyt VL 50mm	ZPH082	6-014549-0000
201	Uchwyt VL 60mm	ZPH083	6-014550-0000
202	Uchwyt VL 100mm	ZPH084	6-014552-0000
203	Uchwyt VL 130mm	ZPH085	6-014542-0000
210	Śruba M4x5, DIN 7985	51340.040.005	6-014559-0000
220	Podkładka M4, DIN 433	51930.040.001	6-014560-0000
230	Nakrętka M4 DIN 934	51080.040.001	6-014561-0000

SCREEN HR8-ZIP kasety 110 (2-01330-0110)

pozycja	nazwa pozycji	Nazwa handlowa	numer rysunku
3	Ściana boczna 110mm prostokątna - PRAWA	ZPH024	6-013977-0000
3	Ściana boczna 110mm prostokątna - LEWA	ZPH023	6-013975-0000
3,7	Profil KASETA 110mm - tylna część	ZPH009	6-013976-0000
3,7	Clip VL ZIP	ZPH099	6-013993-0000
3,7	Profil prowadzący dla zip v3	ZPH145	6-014155-0000
3,7	Sprężyna VL ZIP	ZPH147/1	7-303662-0000
3,7	Końcówka VL - 40	ZPH095/1	3-03667-9004
3,7	Końcówka VL - 55 mm	ZPH159	6-014830-9005
7	Ściana boczna 110mm ćwierćokrągła - LEWA	ZPH021	6-014147-0000
7	Profil KASETA 110mm - część przednia ĆWIERĆOKRĄGŁA	ZPH008	6-014146-0000
7	Ściana boczna 110mm ćwierćokrągła - PRAWA	ZPH022	6-014148-0000
9	Profil obciążnika listwy dolnej śr. 8 mm - Fe/Zn	ZPH077	6-013966-0000
9	Profil obciążnika dolnej listwy 20x12mm - Zn	ZPH076/1	3-04746-PU27
9	Profil dolny DUŻY - 6,05m	ZPH074	6-014021-0000
9	Pręt plastikowy 3,0 mm PVC	ZP0097/0003	6-016911-0003
9	Uszczelka listwy dolnej ALFA	ZPH116/1	7-303664-0000
9	Walek nawijający Al śr. 55mm - 6 m	ZPH123	6-014027-0000
9	Walek nawijający Al śr. 67mm - 6 m	ZPH124	6-013982-0000
9	Walek nawijający Al śr. 95mm - 6 m	ZPH126	6-014231-0000
9	Walek nawijający śr. 85x1,20mm - 6m	ZPA020	6-016860-0000
9	Pręt plastikowy 4,0 mm PVC	ZP0097/0004	6-016911-0004
9	Pręt plastikowy 6,0 mm PVC	ZP0097/0006	6-016911-0006
9	Profil naprowadzania materiału ZPH115 -1	7-303663-0000	
20	Bezpiecznik końcówki listwy dolnej SC1000 - LEWA CZARNA	ZPH192/1	3-03659-9004
30	Końcówka listwy dolnej ALFA - PRAWA CZARNA	ZPH193/1	3-03657-9004
40	Bezpiecznik końcówki listwy dolnej SC1000- PRAWA CZARNA	ZPH191/1	3-03658-9004
50	Końcówka listwy dolnej SC1000 - LEWA CZARNA	ZPH194/1	3-03656-9004
200	Kołpak wałka śr. 55mm	ZPH136	6-014238-0000
201	Kołpak wałka śr. 67mm	ZPH139	6-013984-0000
202	Końcówka wałka śr. 85 mm - przelotowa	ZPA008/1	3-04003-9004
203	Kołpak wałka śr. 95mm	ZPH143	6-014237-0000
210	Kołpak wałka śr. 55mm z kwadratowym otworem 12	ZPH138	6-014243-0000
211	Kołpak wałka śr. 67mm z kwadratowym otworem 12	ZPH141	6-013983-0000
212	Wkładka końcówki wału - śr. 50mm	ZPA017	3-03486-9004
220	Kolek kołpaka wałka - 12 mm Fe/Zn	ZPH129	6-013985-0000
232-235	Uchwyt ŚCIANA/STROP - kasety 110mm	ZPH080	6-014342-0000
510	Silniki (SOMFY, BECKER) SCREEN HR7/ HR8-ZIP		patrz strona 84
510	Zabierak LT50 HI - śr. 65mm	ZPH160	6-013980-0000
510	Zabierak LT50 HI - śr. 85mm	ZPH161	6-014326-0000
510	Zabierak LT50 HI - śr. 95mm	ZPH162	6-014327-0000
510	Zabierak LS40 - śr. 50mm	ZPH163	6-014328-0000
510	Płyta łożyska płaska - CZARNA ZPH104	6-014333-9004	
510	Płyta łożyska z klipem	SC700/SC800 CZARNA ZPH105	6-014334-900
510	Deska łożyska s klipem SC700/SC800 - ČERNÁ	ZPH105	6-014334-9004

SCREEN HR7 a HR8-ZIP

Obsługa Korbka



2-01372-XXXX-0

2-01436-XXXX-A

Obsługa ręczna – SCREEN HR (2-01372-XXXX-0)

pozycja	nazwa pozycji	Nazwa handlowa	numer rysunku
120	Korbka łamana	ZPH114	6-014323-0000
130	Pierścień zabezpieczający z czopem	ZPH146	6-014451-0000
140	Uchwyt korbki	ZPH113	6-014319-0000
150	Rura korbki PVC – średnica 12 mm	ZPH117	6-014324-0000
190	Korbka markizy 1500 mm	MR 033/150	6-011095-1500
200	Korbka kompletna zdejmowana do SCREEN		2-01436-0000

Korbka kompletna zdejmowana do SCREEN (2-01436-XXXX-0)

pozycja	nazwa pozycji	Nazwa handlowa	numer rysunku
20	Korbka łamana Al – średnica 12 mm szara	P 052/1	6-006682-0000
30	Rura korbki Al – średnica 15 mm anodowana	P 051/1/X	7-301797-PU52
40	Uchwyt korbki – uniwersalny szary	P 053/1	6-006683-7045
50	Pierścień zabezpieczający z czopem 15 mm szary	P 057/15	6-006467-7035
90	Lejek korbki kwadrat	P 054	6-001190-0000

SCREEN HR7 a HR8-ZIP

Obsługa Silnik

Silniki (SOMFY) Screen (2-00530-0002)

pozycja	nazwa pozycji	Nazwa handlowa	numer rysunku
101-103	Silnik ALTUS 50 RTS	MR 091/06	6-011170-xxxx
201-203	Silnik Sunea 50 Screen io	ZP0084	6-012559-xxxx
301-303	Silnik MAESTRIA +50 IO	ZP0084/1	6-012538-xxxx
501-503	Silnik LT 50	PR0130	6-002630-xxxx
2000	Zabierak LT50 HI - śr. 65mm	ZPH160	6-013980-0000
2011	Zabierak LT50 HI - śr. 85mm	ZPH161	6-014326-0000
2012	Zabierak LT50 HI - śr. 95mm	ZPH162	6-014327-0000
2013	Zabierak LS40 - śr. 50mm	ZPH163	6-014328-0000
2020	Adapter LS40 - śr. 50mm	ZPH164	6-014330-0000
2022	Adapter LS/LT50 - śr. 65mm	ZPH166	6-014332-0000
2031	Płyta łożyska płaska CZARNA	ZPH104	6-014333-9004
2032	Płyta łożyska z klipem CZARNA	ZPH105	6-014334-9004
2040	Śruba M5x16 Zn DIN 965-Z	51302.050.016	6-014338-0000
2050	Przepust kabla GUMOWY śr.7	ZPH150	6-014339-0000
2060	Zacisk kablowy 300x4,8 - CZARNY	ZPH168	6-014438-0000

Silniki (SOMFY) Screen HR7/ HR8-ZIP- KASETA (2-00530-0004)

pozycja	nazwa pozycji	Nazwa handlowa	numer rysunku
10	Silnik ALTUS 40 RTS	PR0298	6-002623-0009
20	Silnik LS 40	PR0125	6-002624-0009
30	Silnik Sunea 40 Screen IO	ZP0091/16	6-014483-0009
40	Uchwyt silnika LS 40	ZPH167	6-014336-0000
50	Adapter LS 40	ZPH164	6-014331-0000
60	Zabierak LS 40	ZPH163	6-014328-0000
70	Płyta łożyska płaska	ZPH104	6-014333-9004
80	Płyta łożyska z klipem	ZPH105	6-014334-9004
90	Przepust kabla gumowy śr. 7	ZPH150	6-014339-0000
100	Zacisk kablowy 300x4,8	ZPH168	6-014438-0000
110	Wkręt 3,5x16, DIN 7982	VRH 130	6-014674-0000

Silniki (Becker) Screen HR7/HR8-ZIP (6-015258 / 6-012538 / 6-002624 / 6-014483)

pozycja	nazwa pozycji	Nazwa handlowa	numer rysunku
510	Silnik BECKER 50 E 08/17	X.2010/1301590	6-017861-0008
510	Silnik BECKER 50 E 12/17	X.2010/1301600	6-017861-0012
510	Silnik BECKER 50 E 20/17	X.2010/1301450	6-017861-0020
500	Silnik BECKER 50 Screen C 08/17 PLUS	X.2010/1302170	6-018761-0008
500	Silnik BECKER 50 Screen C 12/17 PLUS	X.2010/1302180	6-018761-0012
500	Silnik BECKER 50 Screen C 20/17 PLUS	X.2020/1301860	6-018761-0020

*Uwaga: E=mechaniczny (wyłącznik) / C=radiowy (pilot)

Silniki (ISOTRA BASIC) Screen HR8 ZIP - BOX 11

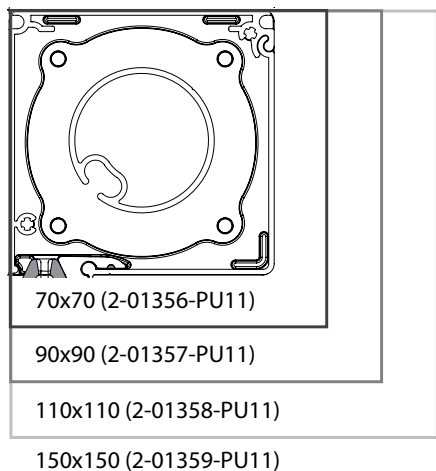
pozycja	nazwa pozycji	Nazwa handlowa	numer rysunku
600	Motore ISOTRA BASIC, 10Nm/17, ze zintegrowanym odbiornikiem, SC zip	X.AM45 10/17S	6-019173-0010
600	Moteur ISOTRA BASIC, 15Nm/17, ze zintegrowanym odbiornikiem, SC zip	X.AM45 15/17S	6-019173-0015
600	Moteur ISOTRA BASIC, 20Nm/17, ze zintegrowanym odbiornikiem, SC zip	X.AM45 20/17S	6-019173-0020

SCREEN HR8-ZIP

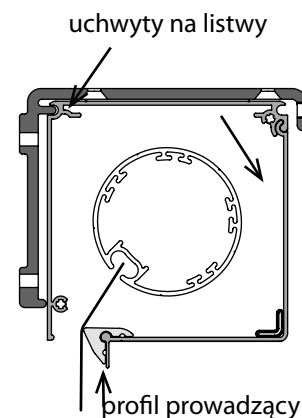
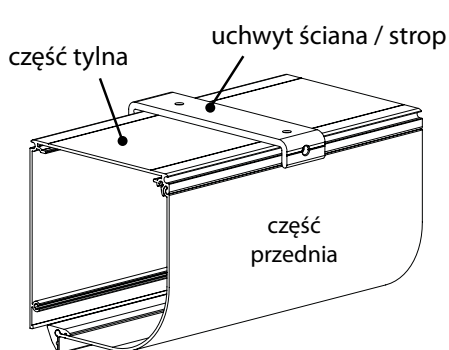
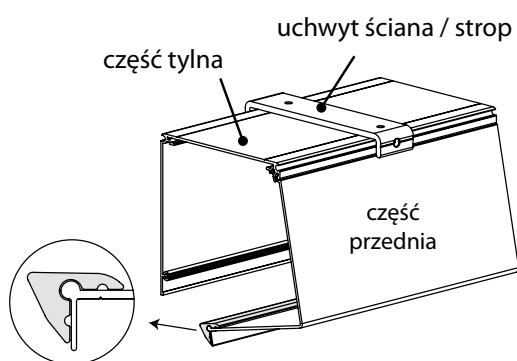
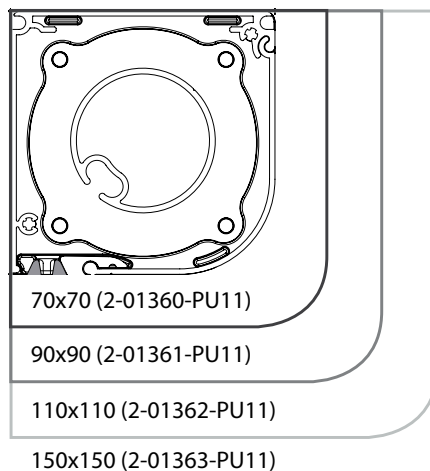
Specyfikacja techniczna

Profil górny - prostokątny

(2-01356, 2-01357, 2-01358, 2-01359)

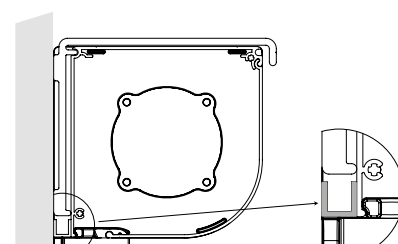
**Profil górny- ćwierćokrągły**

(2-01360, 2-01361, 2-01362, 2-01363)

**Tylna część kasety****Profil U- poziomy**

Szczelinę między kasetą i ścianą można wypełnić poziomo z pomocą profilu U o wymiarach 10 x 10 x 10 mm, długość jest dana szerokością kasety.

Przeznaczenie: - uchwyt ściana / strop,

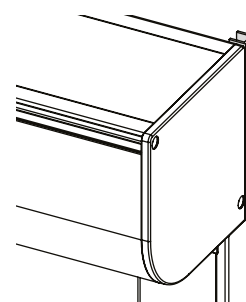


Profil U- poziomy

Profil U - pionowy

Szczelinę między kasetą i ścianą można wypełnić profilem, długość jest dana wysokością kasety.

Przeznaczenie: - uchwyt ściana / strop,



Profil U - pionowy

Uchwyt ściana/strop – kasetka 70 mm, kasetka 90 mm, kasetka 110 mm, kasetka 150 mm

(6-014340, 6-014341, 6-014342, 6-014343)

Materiał: ekstrudowane aluminium z lakierem proszkowym

Dla instalacji wszystkich wielkości profilu górnego niezależnie od listew prowadzących:

Standardowa liczba uchwytów ściana/strop:

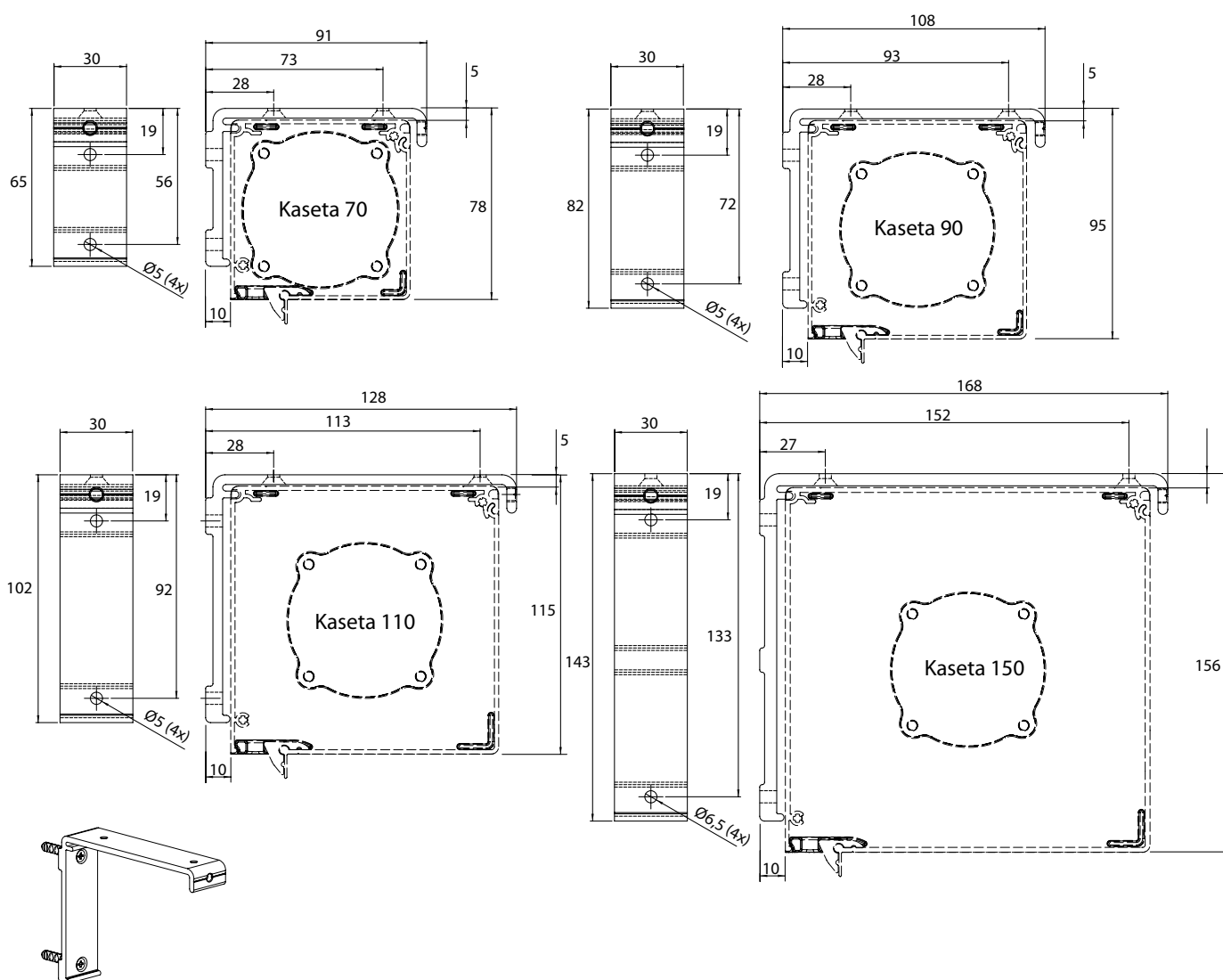
Szerokość rolety (mm)	Kasetka	
	70 - 90	110 - 150
0 – 1500	0 (2*) 3 szt.	2 szt.
1501 – 3000	3 szt.	3 szt.
3001 – 4500	4 szt.	4 szt.
4501 - 6000	5 szt.	5 szt.

* Jeżeli w formularzu zamówieniowym będzie zadane „uchwyt ściana/strop” zostaną dostarczone 2 sztuki uchwytu (do szerokości rolety 1500 mm roleta jest samoosna).

Jeżeli jest użyty uchwyt ściana/strop, zalecamy użycie listwy prowadzącej typu A829, A839, A828, A838, A865 i A855.

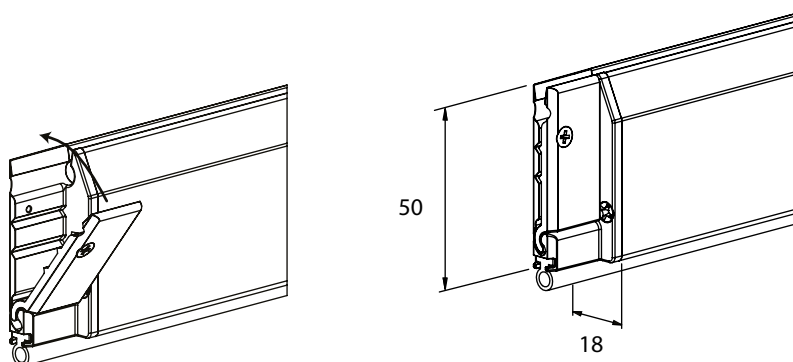
Szerokość: 30 mm

Podnosi tylną stronę górnego profilu o 10 mm do przodu tak samo, jak zawieszania listew prowadzących.



Profil dolny duży

(6-014021-0000)

**Materiał: ekstrudowane profile aluminiowe:**

- z lakierem proszkowym
- z miejscem na pasek obciążający
- z rowkiem na materiał
- z rowkiem na gumę uszczelniającą

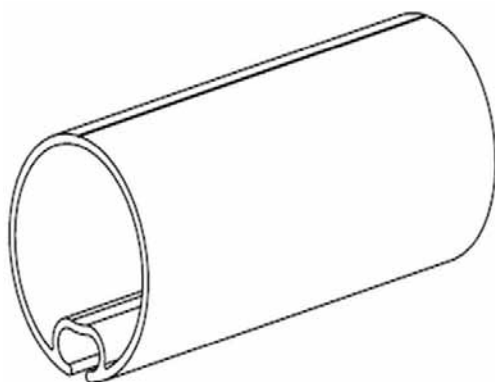
Materiał jest umocowany do dolnej listwy bez pomocy śrub z pomocą plastikowego pręta \varnothing 3 mm. Jest częściowo ukryta w kasecie rolety, kiedy materiał jest zrolowany.

Bloki ślizgowe

w dwóch częściach dla dobrego umocowania materiału

Walek nawijający śr. 40mm – 6m, śr. 55mm – 6m, 67mm – 6m, 85 - 6m, 95 - 6 m

(6-014229-0000, 6-014027-0000, 6-013982-0000, 6-016860-0000, 6-014231-0000)



Materiał: ekstrudowane aluminium rur \varnothing 405, \varnothing 55 lub \varnothing 67 mm i stal ocynkowana rury \varnothing 85 i \varnothing 95 mm.

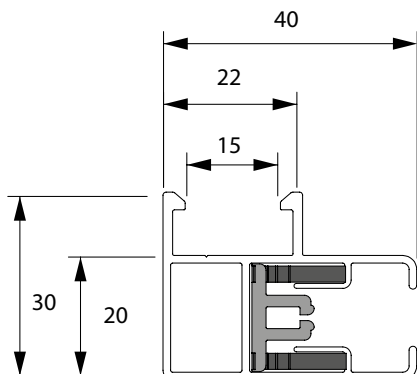
Posiada rowek do umocowania materiału z pomocą plastikowego pręta \varnothing 4 mm do rury \varnothing 40 mm, \varnothing 55 mm i \varnothing 67 mm i z pomocą plastikowego pręta \varnothing 6 mm do rury \varnothing 85 mm.

Listwy prowadzące dla silnika

Materiał: ekstrudowane profile aluminiowe lakierowane proszkowo

Listwa prowadząca T839 (6-014417)

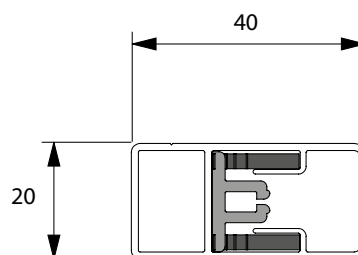
- standardowa listwa prowadząca do umocowania na zaczepy lub dla małej odległości od bocznej strony (10 mm).



Listwa prowadząca T830 (6-014418)

(6-014418)

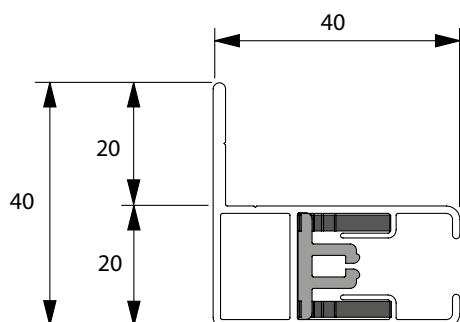
- płaska listwa prowadząca bez zaczepów.



Listwa prowadząca T838 (6-014419)

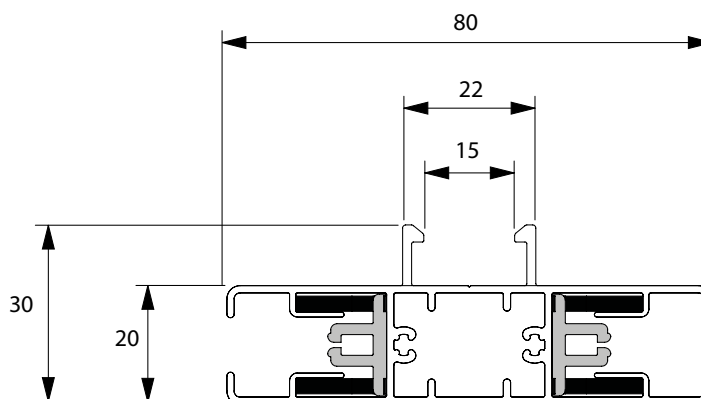
- listwa prowadząca z krótkim kołnierzem montażowym.

Używany do montażu pergoli.

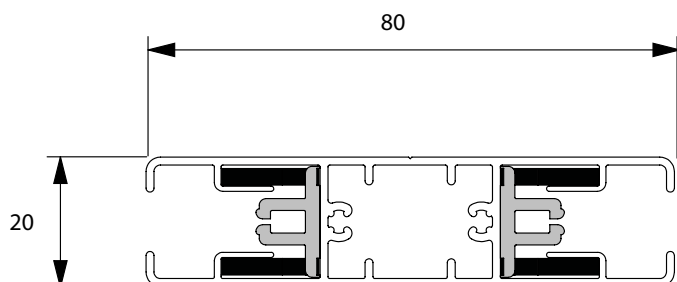


Listwa prowadząca T865 (6-014420)

- pomocnicza listwa prowadząca



Listwa prowadząca T866 (6-014421) - pomocnicza listwa prowadząca

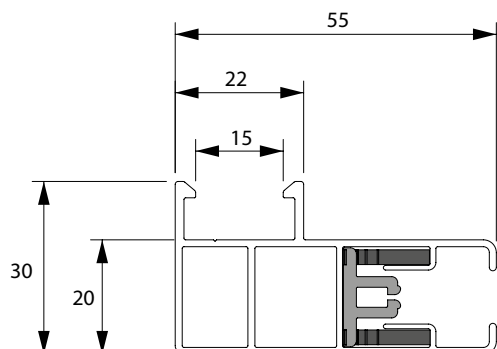


Listwy prowadzące dla korbki

Materiał: ekstrudowane profile aluminiowe lakierowane proszkowo

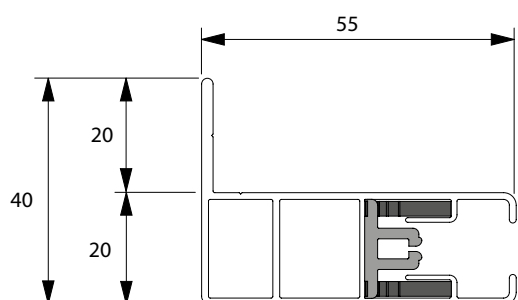
Listwa prowadząca T829 (6-013989)

- listwa prowadząca do umocowania na zaczepy lub dla małej odległości od bocznej strony (10 mm).



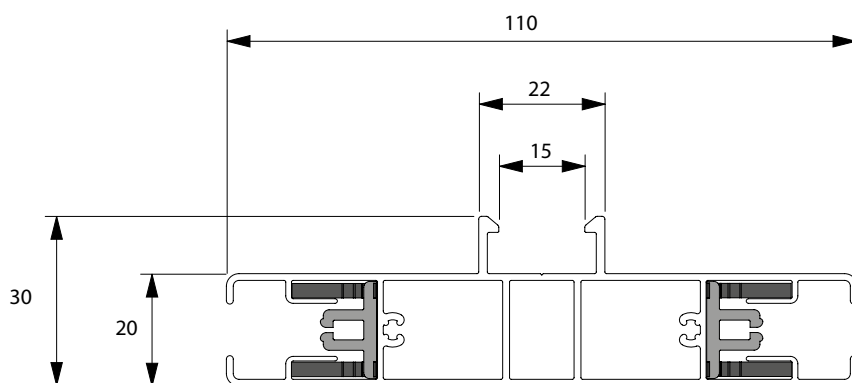
Listwa prowadząca T828 (6-014153)

- listwa prowadząca z krótkim kołnierzem montażowym



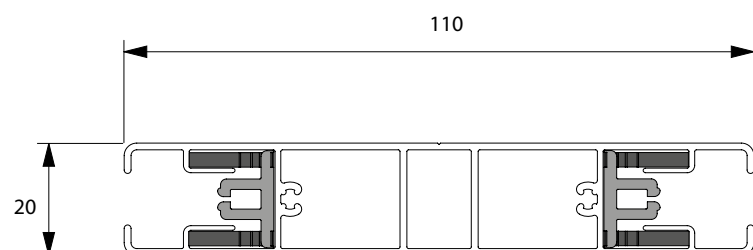
Listwa prowadząca T855 (6-014827)

- pomocnicza listwa prowadząca



Listwa prowadząca T856 (6-014154)

- pomocnicza listwa prowadząca



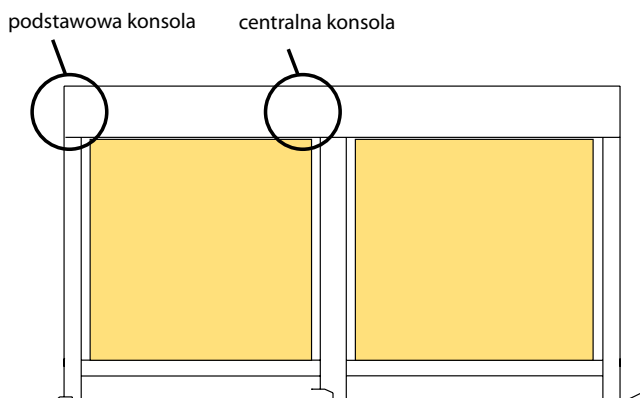
Listwy prowadzące - wiercenie na przedniej/bocznej stronie (z obustron na krawędzi 200 mm)

do wysokości 1500 mm	2 otwory (końcowe)
powyżej 1500 mm do 3000 mm	3 otwory (2 końcowe otwory + 1 otwór w środku)
od 3000 mm do 4500 mm	4 otwory (2 końcowe otwory + 2 otwory w środku)
od 4500 mm	5 otworów (2 końcowe otwory + 3 otwory w środku)

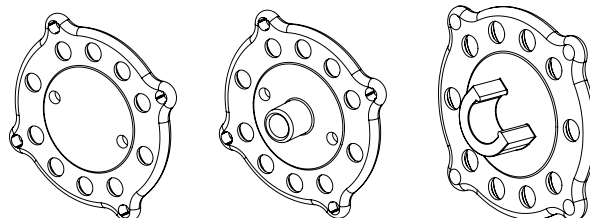
Ściana boczna:

Podstawowa ściana boczna: - aluminiowe ściany boczne z czopami odlewanyymi pod ciśnieniem= montaż na czopy,
 - aluminiowe ściany boczne kompletne z uniwersalnymi płytami nośnymi z czarnego materiału syntetycznego.

Środkowe ściany boczne: - aluminiowa ściana boczna z czopami odlewanyymi pod ciśnieniem,
 - trzymają łożysko rolet sprzężonych lub uniwersalną płytę nośną.



Uniwersalna płyta nośna:



Obsługa umieszczenie - wyjście

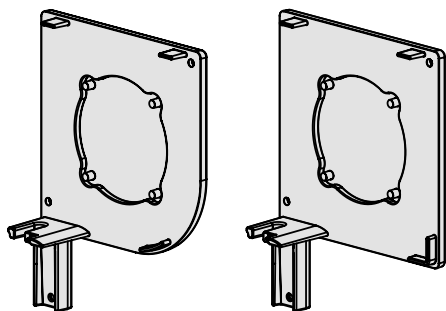
Typ montażu	Obsługa	O				A				E/H*				T				B							
		70	90	110	150	70	90	110	150	70	90	110	150	70	90	110	150	70	90	110	150				
A-AE	Silnik	x	x	x	x	x	x	x	x	o	o	x	x												
	Korbka 45°													x	x	x	x								
	Korbka 90°	o	x	x	x	x	x	x	x																
	Korbka																								
	Korbka z okiem																								
B-BE	Silnik									o	o	x	x									x	x	x	x
	Korbka 45°																								
	Korbka 90°																					x	x	x	x
	Korbka																								
	Korbka z okiem																								

Typ montażu	Obsługa	K				P				Q/D*				C				S							
		70	90	110	150	70	90	110	150	70	90	110	150	70	90	110	150	70	90	110	150				
A-AE	Silnik															x	x								
	Korbka 45°																								
	Korbka 90°																								
	Korbka									o	o	o	x												
	Korbka z okiem									o	o							o	o						
B-BE	Silnik	x	x	x	x					o	o	o	x												
	Korbka 45°													x	x	x	o								
	Korbka 90°	x	x	x	x																				
	Korbka									o	o	o	x												
	Korbka z okiem																								

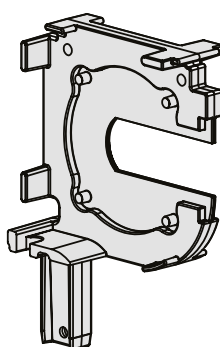
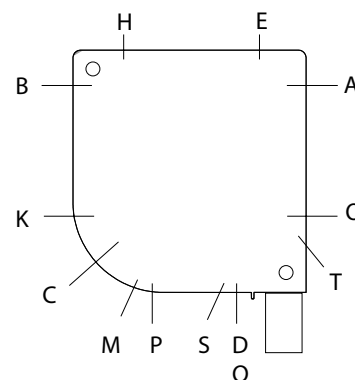
- x Tak
- x Możliwość tylko z prostokątną kasetą
- Użycie z przekładnią z krótkim okiem
- Użycie z przekładnią z długim okiem
- E/H* Do montażu strop/nadproże lub użycia wewnątrz z powodu przenikania wody.
- o Nie jest możliwe

Montaż na czopy

podstawowa konsola

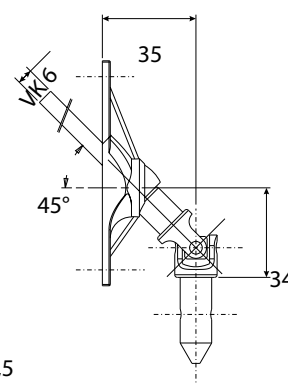
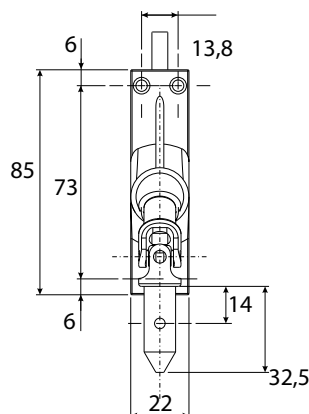
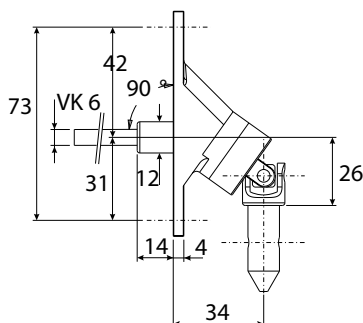
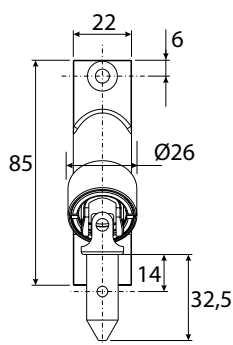


konsola środkowa

**Wyjścia do obsługi****Obsługa - Korbka****Obsługa wewnątrz**

Standardowa: - szara plastyfikowana składana korbka,
 - przegub kardanowy 90° lub 45° lub 0° (materiał korbki: 6 mm prostokątny, długość 320 mm).
 - konsola magnetyczna trzymająca korbkę na ścianie,
 - długość korbki zależy od wysokości rolety: L = H - 150 mm (z przegubem 90°), L = H - 350 mm (z przegubem 45° i 0°).

Alternatywa: - zdejmowana korbka ze specjalnym sprzęgłem,
 - bez zdejmowanej korbki, ze specjalnym sprzęgłem.



Przegub kardanowy 90°

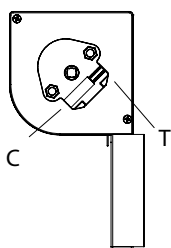
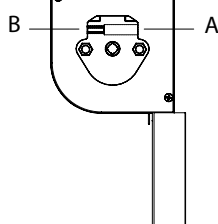
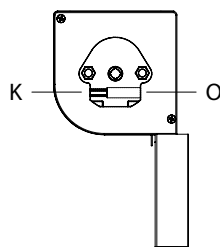
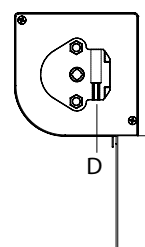
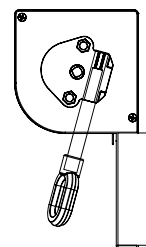
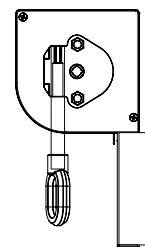
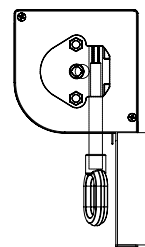
Przegub kardanowy 45°

Uwaga: płyta połączenia przegubowego nie może być umocowana bezpośrednio na kasce, dlatego jest konieczne zapewnienie dalszego miejsca koło kasety.

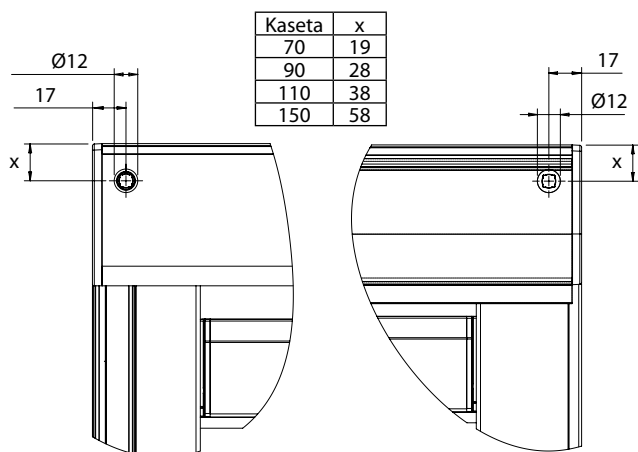
Obsługa zewnętrzna

Standardowa: - obsługa korbką z okiem, zdejmowana korbka z hakiem, długość 1500 mm. Alternatywa: - inne długości korbek są za dopłatą.

Uwaga: zapewnić dostatek miejsca na boku (± 10 mm) z powodu obracania haka korbki w oku.

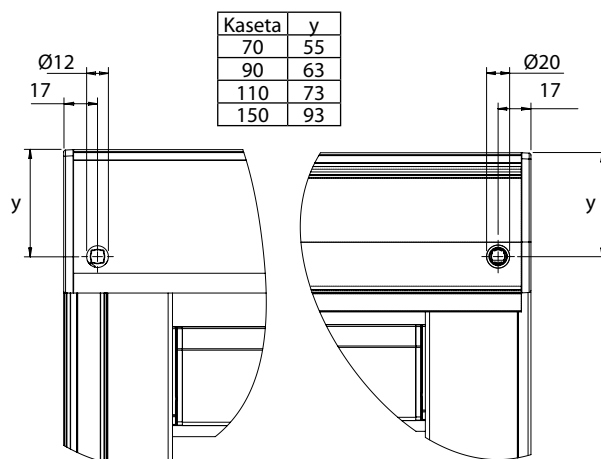
Korbka 45°
wyjście C - TKorbka 90°
wyjście A - BKorbka 90°
wyjście O - KKorbka 0°
wyjście DKorbka + oko
wyjście SKorbka + oko
wyjście PKorbka + oko
wyjście Q

Wyjścia do obsługi na korbkę przez ścianę



zdemontowana korbka 90°
wyjście A

zdemontowana korbka 90°
wyjście B

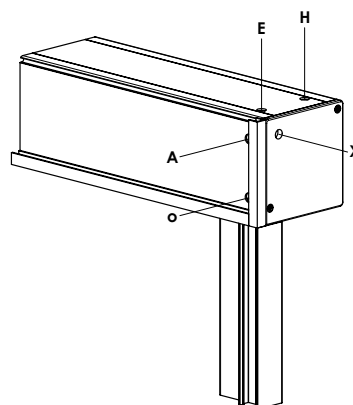
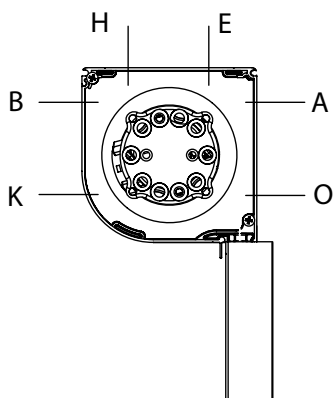


zdemontowana korbka 90°
wyjście O

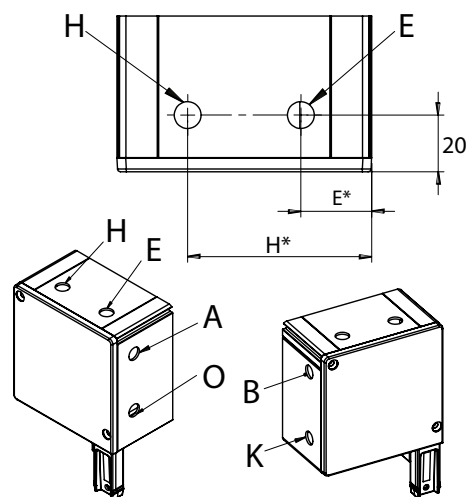
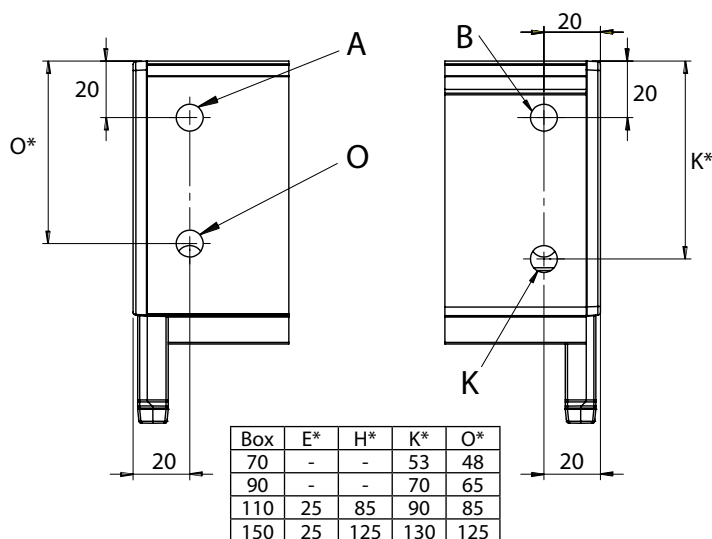
zdemontowana korbka 90°
wyjście K

Obsługa-silnik

Możliwość wyboru umieszczenia kabla



na lewo, wyprowadzenie X (ze ściany bocznej) tylko dla kasety 110 i 150
na prawo, wyprowadzenie X (ze ściany bocznej) tylko dla kasety 110 i 150



Rolety sprzężone

można użyć jednej kasety dla 2 do 3 rolet ekranowych. DVC: rolety bezpośrednio obok siebie

- z małymi listwami prowadzącymi 865/866

DVS: rolety z co najmniej jedną przerwą:

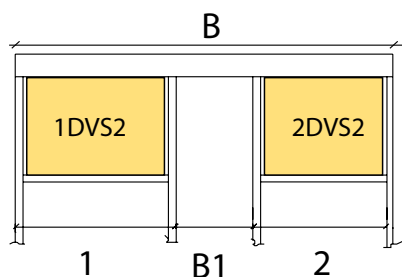
- z małymi listwami prowadzącymi 839, 830, 838, 865 lub 866.
Maksymalna szerokość kasety 6 m.

Możliwe z 1, 2 lub 3 miejscami obsługi.

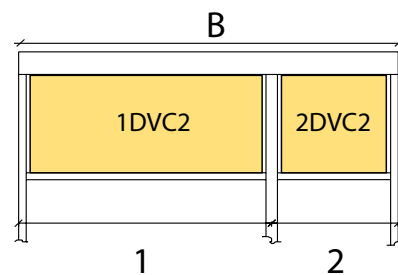
Minimalna szerokość pojedynczej rolety ekranowej zależy od typu obsługi. Maksymalna całkowita szerokość zależy od typu obsługi.

- obsługę korbką i napęd elektryczny można sprzęgać aż na 6 m.

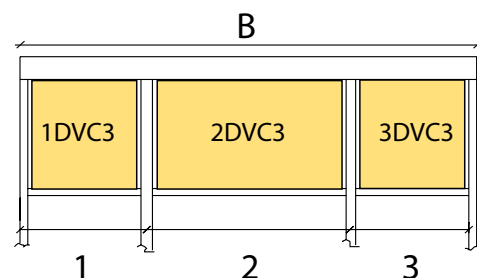
- Zaleca się zainstalowanie jednostki sterującej do największej rolety. Nie jest możliwe w przypadku kasety typu 150.



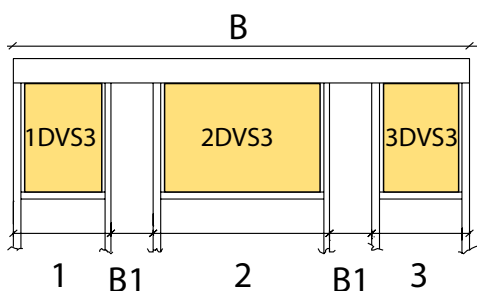
1DVC2 - 1. roleta we wspólnej kasecie z 2
2DVC2 - 2. roleta we wspólnej kasecie z 2



1DVC2 - 1. roleta we wspólnej kasecie z 2
2DVC2 - 2. roleta we wspólnej kasecie z 2



1DVC3 - 1. roleta we wspólnej kasecie z 3
2DVC3 - 2. roleta we wspólnej kasecie z 3
3DVC3 - 3. roleta we wspólnej kasecie z 3



1DVS3 - 1. roleta we wspólnej kasecie z 3
2DVS3 - 2. roleta we wspólnej kasecie z 3
3DVS3 - 3. roleta we wspólnej kasecie z 3

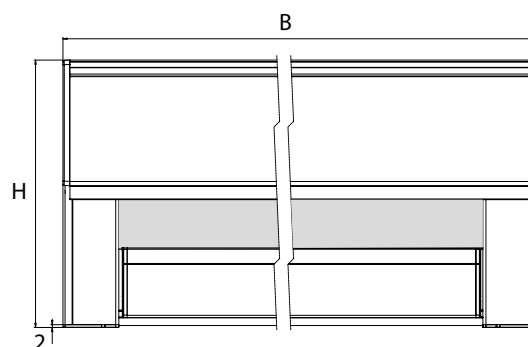
B = szerokość kasety
B1 = szerokość między roletami

SCREEN HR8-ZIP

Wymiarzenie

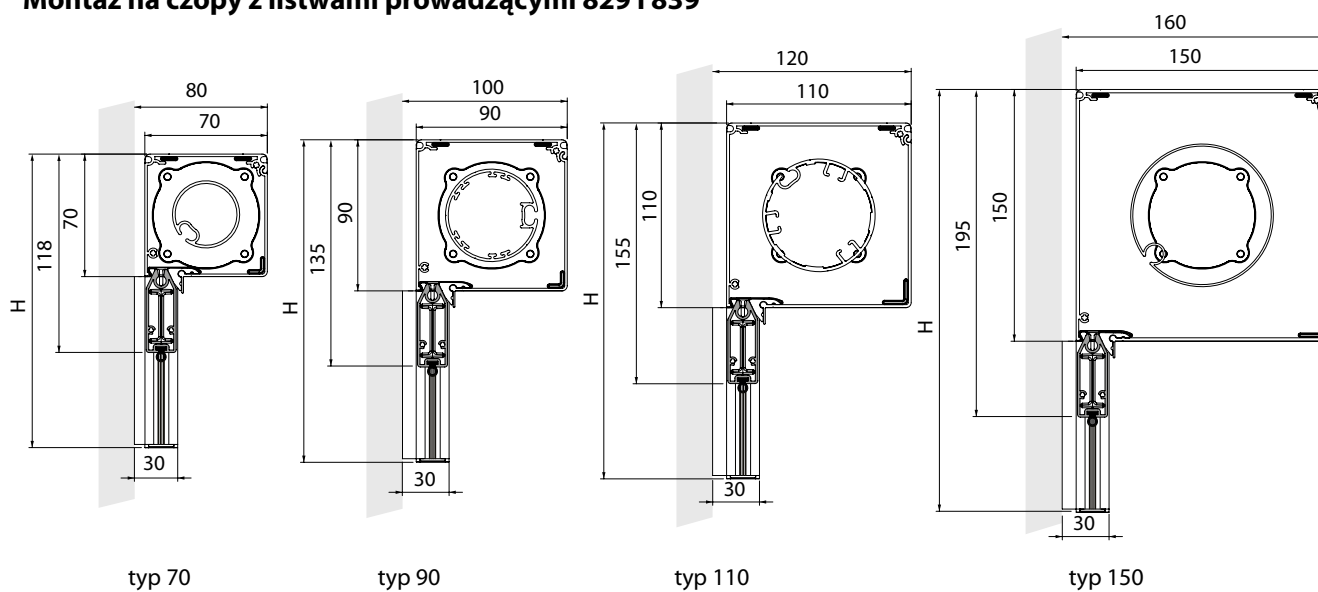
Szerokość finalna B = odległość między konsolami końcowymi.

Wysokość finalna H = wysokość wraz z kasetą i końcówkami prowadzącymi H listew (grubość = 2 mm) z wyjątkiem uchwyt ściana/strop.



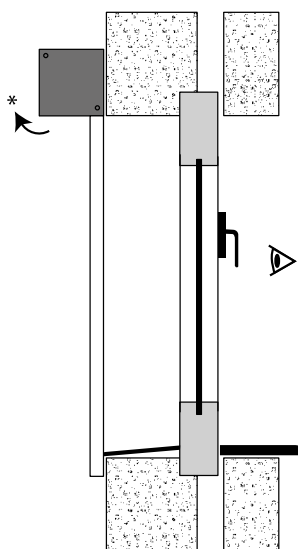
Montaż

Montaż na czopy z listwami prowadzącymi 829 i 839

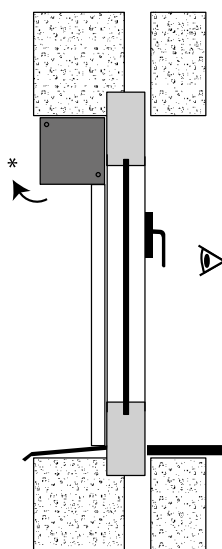


Typ montażu

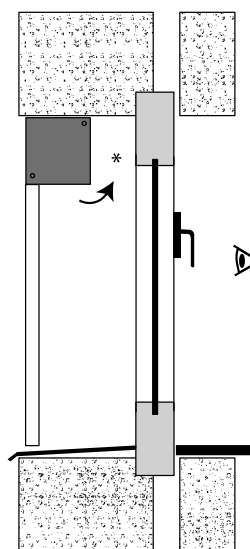
Typ A-AE (na ścianę)



Typ A-AE (do szpalety)

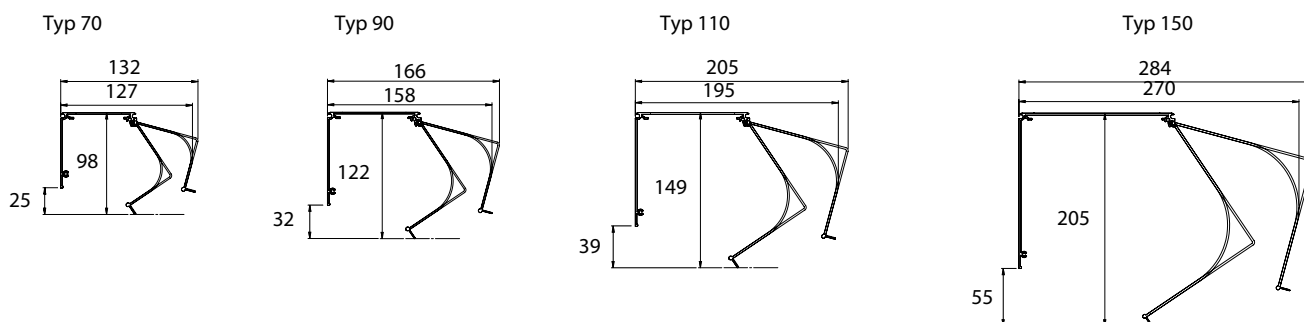


Typ B-BE (do szpalety) *



- A - nawój do okna „A” (standard)
- AE - nawój do okna „AE” (zewnątrzna strona jaśniejsza)
- B - nawój od okna „B”
- BE - nawój od okna „BE” (zewnątrzna strona jaśniejsza)

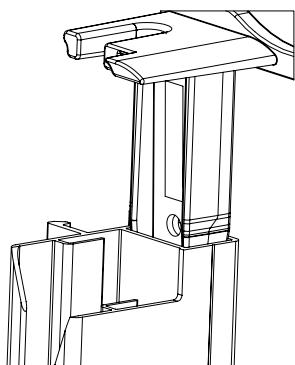
* miejsce do otwarcia Kasety



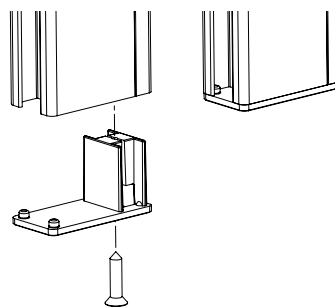
Montaż na czopy

Kasetę montuje się do listew prowadzących. Listwy poruszają się po czopach konsoli.

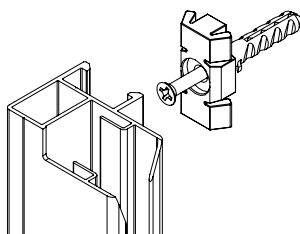
Montaż na czopy



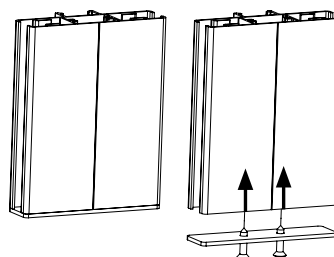
Ogranicznik końcowy



Zaczepty na listwy prowadzące 829, 839, 855, 865

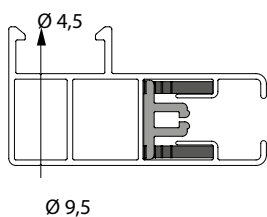


Ogranicznik końcowy na pomocniczej listwie prowadzącej



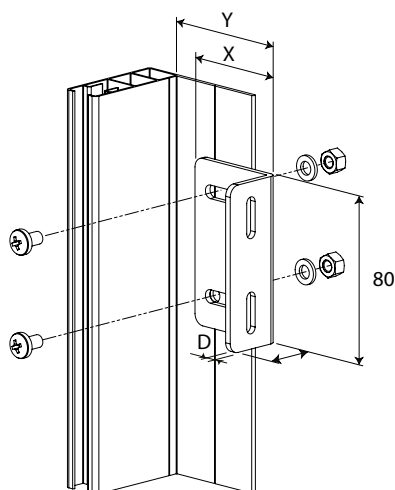
Z ogranicznikami końcowymi Al na spodniej stronie dla ogranicznika listwy; grubość 2 mm.

Niektóre listwy prowadzące mogą być dostarczone z uprzednio wywierconymi otworami na bocznej stronie. Otwory na przedniej stronie:



Listwy prowadzące dla wywierconych otworów na przedniej stronie:

Otwory	829/839	830	828/838	855/865	856/866
boczna strona	x	x	-	x	x

Uchwyt na listwy prowadzące 828 i 838:

X x H x D	X	Y	nr rysunku
50 x 30 x 3	50	50-65	6-014549-0000
60 x 30 x 3	60	60-75	6-014550-0000
100 x 30 x 3	100	100-115	6-014552-0000
130 x 30 x 3	130	130-145	6-014542-0000

SCREEN HR7 a HR8-ZIP

Montaż

Istnieje kilka sposobów instalacji rolety w zależności od sytuacji:

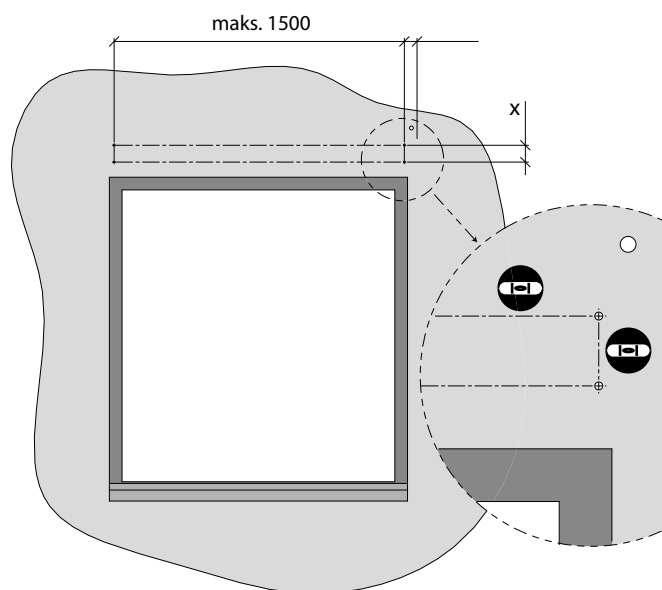
Metoda 1. Umocowanie kasety z pomocą nośników montażowych, nasunięcie listew prowadzących na czop konsoli i zabezpieczenie listew prowadzących śrubami.

Metoda 2. Umieszczenie kompletnego zestawienia kasety i listew prowadzących do otworu okiennego lub nad nim i zabezpieczenie śrubami.

Metoda 3. Przykręcenie listew prowadzących, nasunięcie kasety do listew prowadzących i zabezpieczenie.

METODA 1. Umocowanie kasety z pomocą nośników montażowych, nasunięcie listew prowadzących na czop konsoli i zabezpieczenie listew prowadzących śrubami.

Krok 1: Wywiercenie otworów na nośniki montażowe



Typ kasety	X
70	37
90	53
110	73
150	114



poziomnica

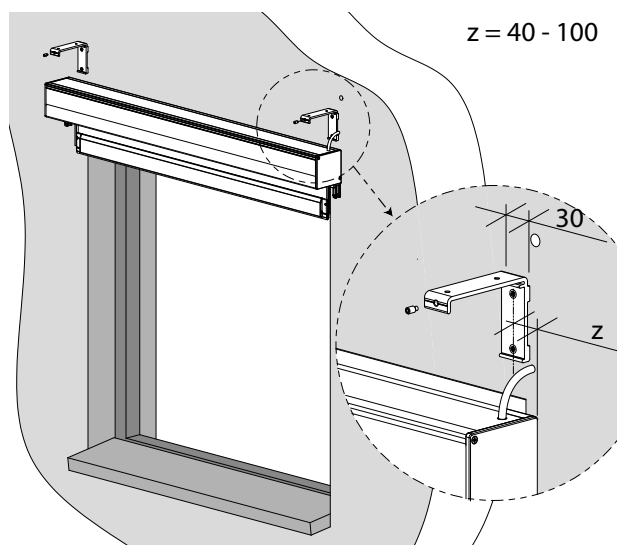
Umieścić nośniki montażowe na powierzchnię montażową. Górnych otworów użyć do montażu na strop a tylnych otworów do montażu na ścianę. Kasety musi być doskonale pozioma, dlatego należy się upewnić, że konsole są należycie wyrównane. Do tego trzeba użyć poziomnicy węzowej i pionu lub innego odpowiedniego narzędzia.

Krok 2: Instalacja kasety na uchwyt ściana/strop

Jeden nośnik montażowy na konsolę jak najbliżej do niej.

Jakiegokolwiek następnym nośniki montuje się na środek kasety równomiernie rozmieszczone wzdłuż szerokości a ich zadaniem jest zapobieganie uginaniu szerszych kaset.

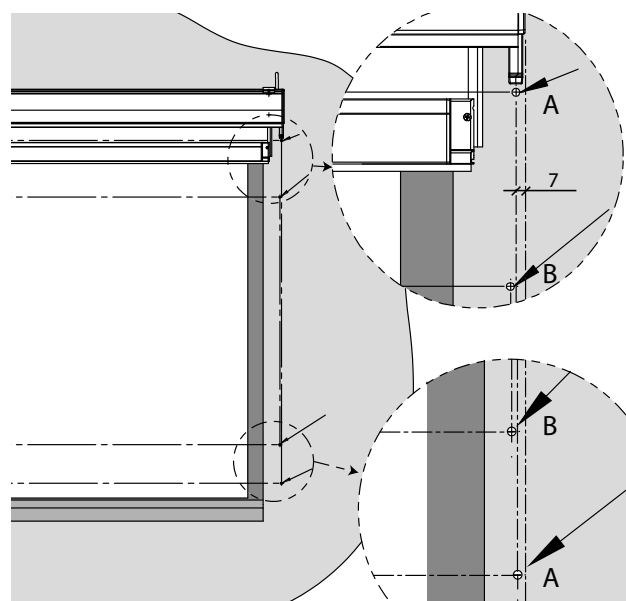
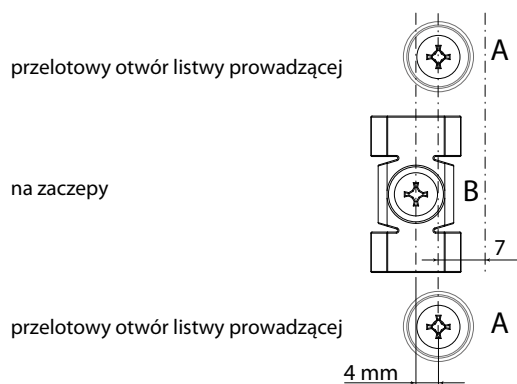
1. Nasunąć kasetę na górę do nośników montażowych.
2. Wsunąć do wewnątrz kabel zasilający silnika. Następnie popchnąć kasetę do nośników tak, aby rowki na tylnej stronie kasety zapadały do profili L.
3. Następnie dokręcić śruby z sześciokątem wewnętrznym każdego nośnika. Śruby powinny trzymać w rowkach w górnej części czoła kasety.



Krok 3: Wywiercenie otworów na listwy prowadzące

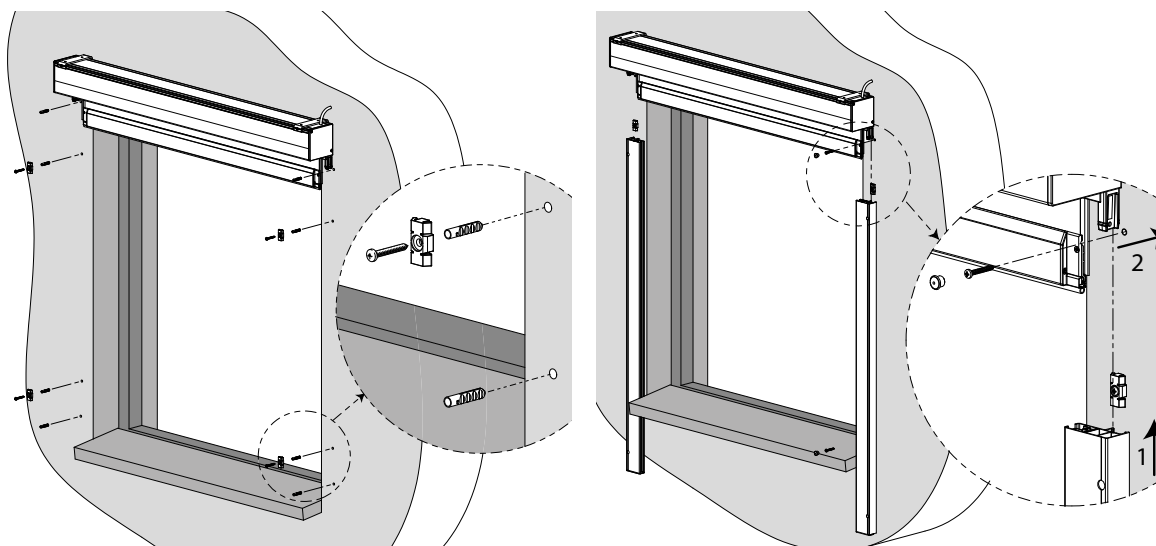
Na ścianie lub innej powierzchni montażowej zaznaczyć otwory, które mają być wywiercone. Do tego użyć nawierconych bocznych listw prowadzących. Wywiercić otwory w ścianie ($\varnothing 6$ mm) lub ramie okna ($\varnothing 3.2$ mm).

Instalując na ścianie zasunąć do otworów kołki rozporowe S6.

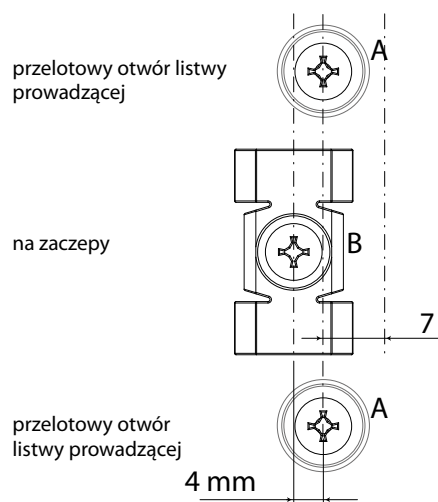
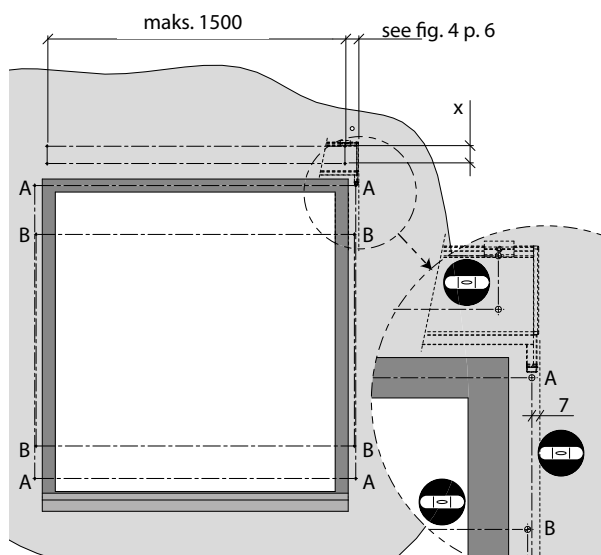


Krok 4: Instalacja listw prowadzących

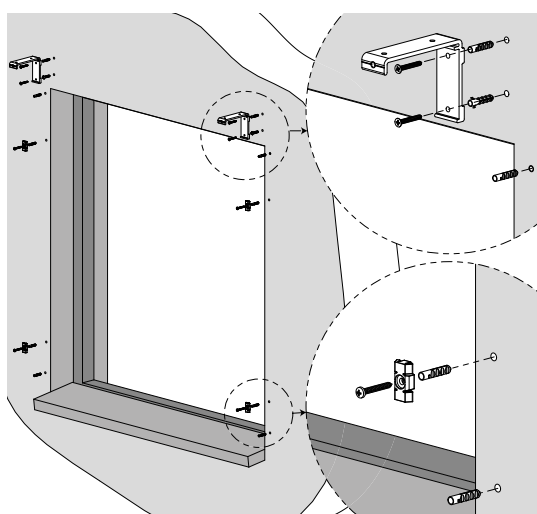
- Umocować zaczepy na powierzchni montażowej. Następnie nasunąć listwy prowadzące na czopy bocznych konsoli. Upewnić się, że bloki ślizgowe dolnej lameli są prawidłowo zasunięte do rowków i że zamek na materiale zasunął się do części w kształcie U w plastikowym profilu prowadzącym.
- Przykręcić listwy prowadzące do powierzchni montażowej.



METODA 2: Umieszczenie kompletnego zestawienia kasety i listew prowadzących do otworu okiennego lub nad nim i zabezpieczenie śrubami.



Typ kasety	X
70	37
90	53
110	73
150	114



Krok 1: Wywiercenie otworów na nośniki montażowe i listwy prowadzące

Na ścianie lub innej powierzchni montażowej zaznaczyć otwory, które mają być wywiercone (użyć do tego nawierconych bocznych listew prowadzących).

(Jeżeli zostały dostarczone, umocować najpierw nośniki montażowe kasety.)

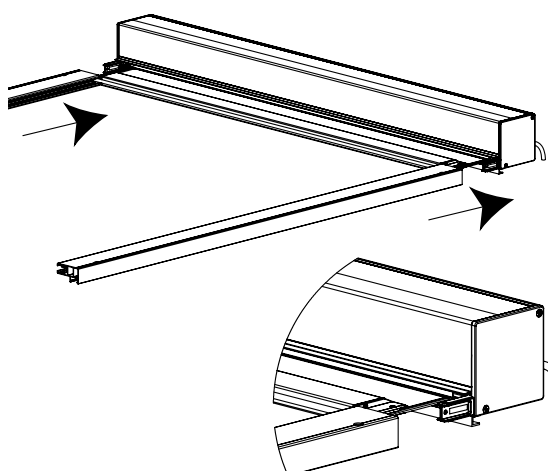
Wywiercić otwory w ścianie ($\varnothing 6$ mm) lub ramie okna ($\varnothing 3.2$ mm).

Instalując na ścianie zasunąć do otworów kołki rozporowe S6.

Umocować zaczepy na powierzchni montażowej.



poziomnica



Krok 2: Nasunięcie listew prowadzących na czopy konsoli na spodniej stronie kasety

Położyć kasetę rolety na kartonowe opakowanie (dbać o to, aby nie uszkodzić wykończenia powierzchni).

Następnie nasunąć listwy prowadzące na czopy bocznych konsoli.



Upewnić się, że bloki ślizgowe dolnej lameli są prawidłowo zasunięte do rowków i że zamek na materiale zasunął się do części w kształcie U w plastikowym profilu prowadzącym.

Krok 3: Osadzenie kasety i listew prowadzących

Teraz podnieść kasetę z listwami prowadzącymi. Powinny to przeprowadzać minimalnie trzy osoby. Podnieść kasetę wraz z listwami prowadzącymi.

Umieścić kompletny zestaw do otworu okiennego.

W przypadku napędu elektrycznego zasunąć kable zasilający silnika do wewnątrz uprzednio wywierconym przepustem.



Uwaga! Uważać, aby nie odłamać czopów posuwając listwy prowadzące za bardzo do przodu, do tyłu lub w bok.

Krok 4: Umocowanie kasety na nośniki montażowe i przykręcenie listew prowadzących

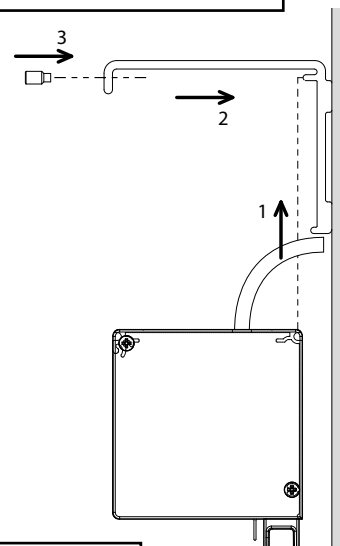
Nasunąć kasetę na górę do nośników montażowych.

Wsunąć kabel silnika do wewnątrz. Następnie popchnąć kasetę do nośników

tak, aby rowki na tylnej stronie kasety zapadały do profilu L.

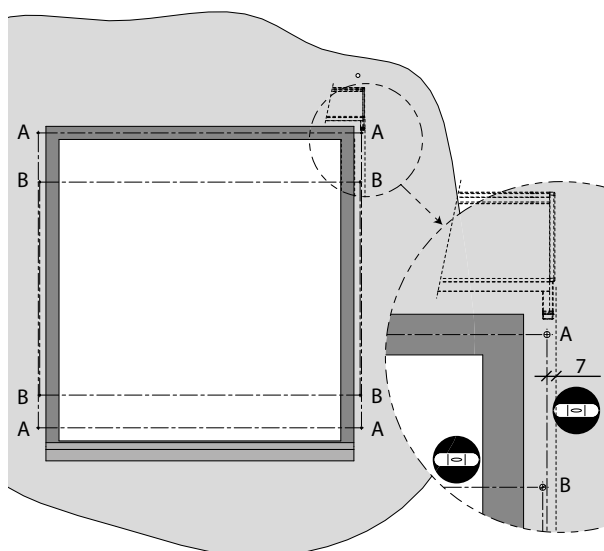
Następnie dokręcić śruby z sześciokątem wewnętrznym każdego nośnika. Śruby powinny trzymać w rowkach w górnej części czoła kasety.

Przykręcić listwy prowadzące do powierzchni montażowej.



Zawsze upewnić się, że kasetą jest prawidłowo umocowana.

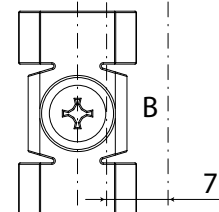
METODA 3: Przykręcenie listew prowadzących, nasunięcie kasety do listew prowadzących (tylko w przypadku rolet bez nośników montażowych)



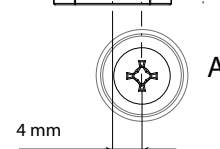
przelotowy otwór listwy prowadzącej

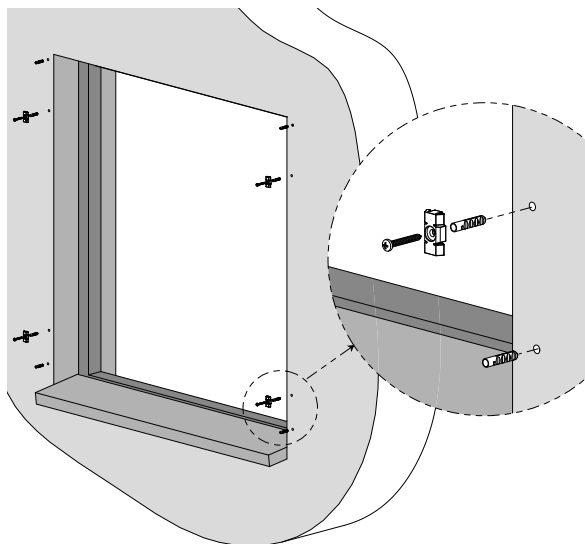


na zaczepy



przelotowy otwór listwy prowadzącej





Krok 1: Wywiercenie otworów i umocowanie zaczepów

Na ścianie lub innej powierzchni montażowej zaznaczyć otwory, które mają być wywiercone (użyć do tego nawierconych bocznych listew prowadzących).

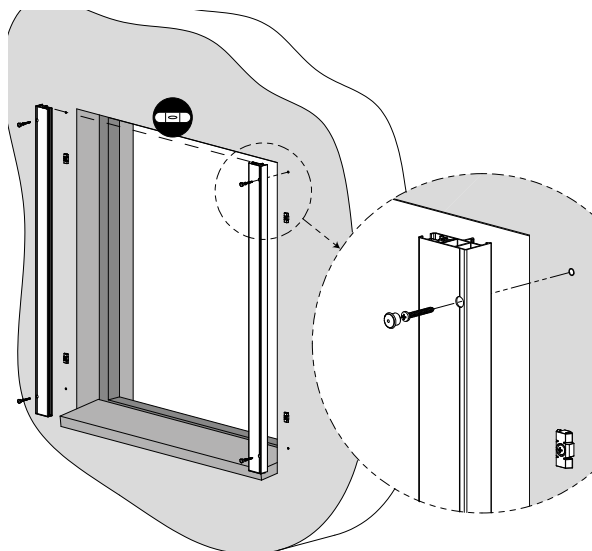
Wywiercić otwory w ścianie (\varnothing 6 mm) lub ramie okna (\varnothing 3.2 mm) z maksymalnym rozstawem 500 mm.

Instalując na ścianie zasunąć do otworów kołki rozporowe S6.

Umocować zaczepy do powierzchni montażowej.

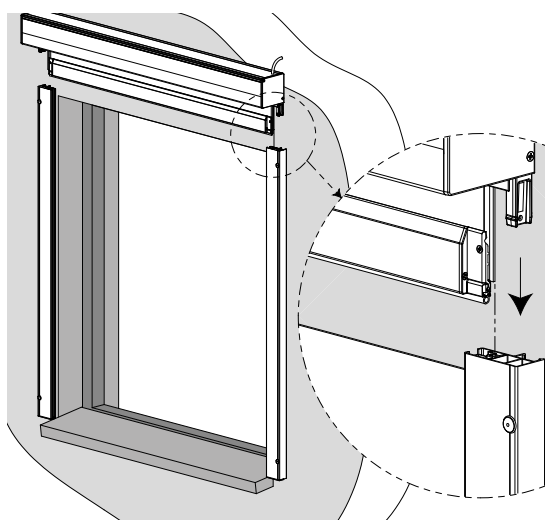


poziomnica



Krok 2: Montaż listew prowadzących

Przykręcić listwy prowadzące do powierzchni montażowej. Zapewnić, aby górna strona wszystkich listew prowadzących była umieszczona dokładnie na tej samej wysokości i była pozioma.



Krok 3: Nasunięcie kasety do listew prowadzących

Podnieść kasetę i wsunąć kabel silnika do wewnątrz.

Nasunąć kasetę tak, aby czopy konsoli zapadały do odpowiednich otworów w bocznych listwach prowadzących.

Upewnić się, że bloki ślizgowe dolnej lameli są prawidłowo zasunięte do rowków i że zamek na materiale zasunął się do części w kształcie U w plastikowym profilu prowadzącym.

Po zamontowaniu żaluzji konieczne jest z boku zdejmij zacisk kablowy.



Zawsze upewnić się, że kasetę jest prawidłowo umocowana.

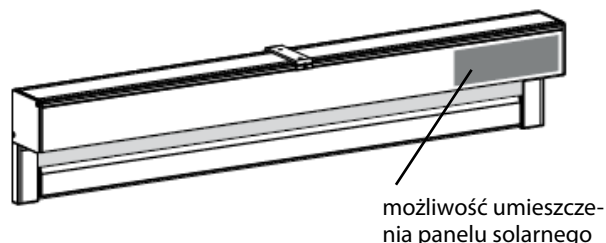
SCREEN HR8-ZIP SOLAR

Roleta ekranowa z zasilaniem solarnym jest unikatową i w pełni zautomatyzowaną roletą, która jest obsługiwana bezprzewodowo i ma zerowe zużycie energii. Ta roleta działa na zasadzie tzw. zjawiska fotowoltaicznego – tj. przemiany promieniowania słonecznego na energię elektryczną. Chodzi o ekologiczne i energetycznie najoszczędniejsze rozwiązanie napędu rolet. Napęd jest zasilany z akumulatora o długiej żywotności doładowywanego z panelu solarnego, który działa przy każdej pogodzie.

Maksymalna powierzchnia 7,5 m². Jedna jednostka solarna jest dostosowana do zasilania tylko jednej rolety ekranowej.

Parametry tego wyrobu:

- kasetka tylko prostokątna
- rura \varnothing 55 mm
- wymiary: patrz strona 72
- standard - akumulator wewnętrzny tylko dla kasetki 150
- opcjonalnie - użycie zewnętrznego akumulatora dla kasetki 90 i 110
- panel solarny jest zawsze na stronie silnika
- montaż typu B-BE (do szpalety) nie jest możliwy
- możliwość kilku rolet we wspólnej kasecie pod warunkiem, że każda roleta będzie miała własny silnik i akumulator zewnętrzny.



Skład zestawu solarnego:

- *Silnik
- panel solarny OximoWireFree resin 3,2 W
- akumulator Oximo WireFree, NiMH 12V, 2,2 Ah
- Kabel adaptera Oximo WireFree Wiring Harness

* Silnik

nazwa pozycji	nazwa handlowa	numer rysunku
SOLAR KIT „SUNEA 40 io“ 6/18	X.1241890	6-018887-0006
SOLAR KIT „SUNEA 40 io“ 10/12	X.1241891	6-018887-0010
SOLAR KIT „SUNEA 40“ 6/18 RTS DC	X.1241478	6-017545-0006
SOLAR KIT „SUNEA 40“ 10/12 RTS DC	X.1241479	6-017545-0010

Akumulator Oximo WireFree

- Akumulator Typ NiMH
- Wymiary 420mm x \varnothing 25 mm
- Klasa ochrony IPx4
- Czas ładowania maks. 3,5 godz.

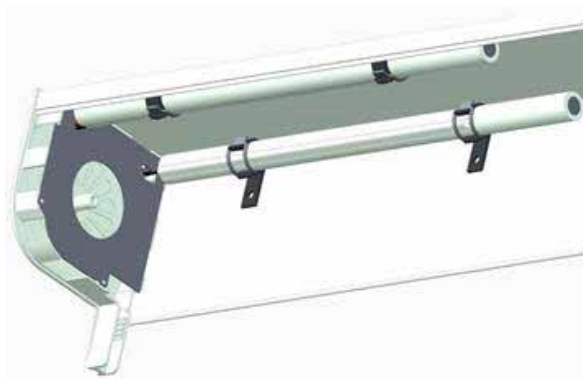
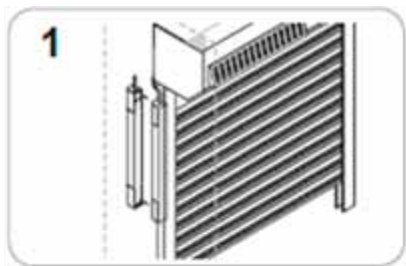
Panel solarny Oximo WireFree

- materiał warstwowy czarny laminat szklany z przezroczystą żywicą epoksydową z technologią fotowoltaiczną
- pobór mocy 3,2 W
- wymiary 470 x 60 x 6 mm
- klasa ochrony X4 (ogniwa światłoczułe: IP67)
- dostarcza energię również przy zachmurzeniu

Montaż zasilania solarnego:

Akumulator można zainstalować w pomieszczeniu, ale również umieścić na zewnątrz do kasety, ale tak, aby nie był narażony na bezpośrednie działanie czynników środowiska zewnętrznego, na akumulator nie może padać i świecić bezpośrednie słońce. Temperatura robocza wynosi od -20°C do $+70^{\circ}\text{C}$. Klasa ochrony IP jest X4, co oznacza, że wyrób jest chroniony przed pryskającą wodą pod każdym kątem.

Akumulator Oximo WireFree TM musi być zainstalowany tak, aby był chroniony przed czynnikami pogodowymi. Może być np. umocowany za listwą prowadzącą rolety (1), za kasetą rolety, lub od spodu kasety (2), wewnątrz kasety rolety (3), pod ramą okienną lub w rogu wewnętrznej ściany - odpowiednie miejsce wybrać według umieszczenia, konstrukcji i typu rolety. Uwaga! Akumulator musi być dostępny w jakiegokolwiek pozycji rolety, aby zawsze był dostępny przycisk PROG, aby było możliwe jego utrzymanie, ewentualnie ładowanie ładowarką zewnętrzną lub jego wymiana. Nie zamykać akumulatora do hermetycznej obudowy. Jeżeli akumulator będzie zainstalowany w innej pozycji niż poziomo, wyprowadzenie kabla zasilającego musi być skierowane zawsze w górę.



Przykład umieszczenia akumulatora wewnątrz kasety.

Bateria znajduje się w pudełku tylko dla rozmiaru 150. W przypadku mniejszych obudów bateria znajduje się poza obudową.

SCREEN HR10-ZIP

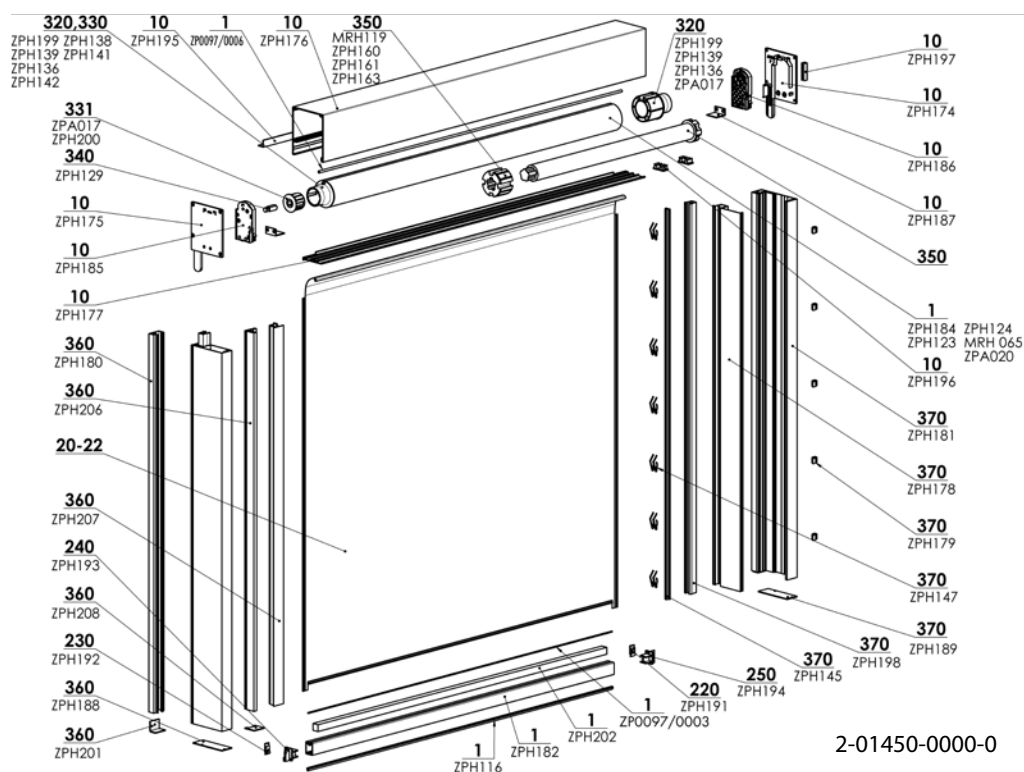


- ▲ Kasety zintegrowane do ściany przed oknem,
- ▲ bez perforacji płaszcza budynku,
- ▲ w pełni zintegrowana dolna listwa w zaciągniętej pozycji,
- ▲ nadaje się do domów niskoenergetycznych i pasywnych,
- ▲ Klasa odporności na wiatr 3.

ISOTRA *Quality*

SCREEN HR10-ZIP

Podstawowa specyfikacja produktu



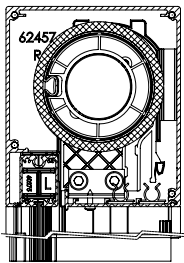
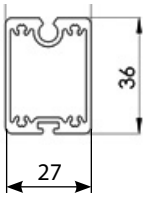
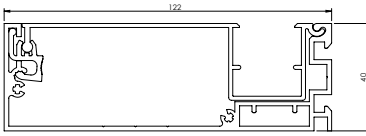
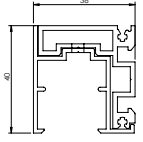
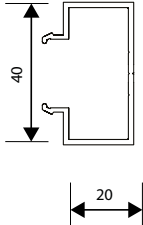
2-01450-0000-0

Obsługa

Roletę ekranową HR10-ZIP można obsługiwać tylko z napędem elektrycznym.

Silnik – może być umieszczony po lewej lub prawej stronie. Po wybraniu strony napędu można wybrać, czy kabel będzie przechodzić po bocznej listwie prowadzącej, czy otworem, który wywierci się w górnej lub tylnej części profilu kasety. Można wybrać silnik Altus RTS, Sunea 50 iO, Maestria +50 iO/WT, LT 06Nm, Sunea io 06Nm i Becker C/E, Geiger AIR Isotra Basic.

Specyfikacja

	Kaseta	Dolny profil	Boczne prowadzenie		Click profil
			Listwa prowadząca		
Wymiar (mm)	122x140	X36	122x40	38x40	20x40
Materiał	Al	Al	Al	Al	Al
					
Kolor	Standardowa: RAL 9006 jasno srebrny RAL 9007 ciemno srebrny RAL 9010 biały		RAL 7016 antracytowo szary RAL 7016S antracytowo szara struktura RAL 8014 brązowy pozostałe kolory RAL na życzenie*		

*oprócz części plastikowych

Standardowe wymiary

Obsługa	Szerokość (mm)		Wysokość (mm)		Gwarantowana powierzchnia (m ²)
	min.	maks.	min.	maks.	
Silnik LT 06Nm, Sunea io 06Nm	655	815	501	4500	5
Silnik Becker E08, C08	655	815	501	4500	5
Silnik	815	4500	501	4500	14

Materiały typu Blackout:

Nieprzepuszczalna warstwa przy każdym typie montażu jest umieszczona na stronie okna. W przypadku montażu na zewnątrz silny wiatr może spowodować nieznaczne podnoszenie dolnej listwy i materiału, dlatego nie zawsze można gwarantować 100 % zaciemnienia. W przypadku materiałów Blackout zipy są umocowane na stronie licowej, nie na warstwie przezroczystej, dlatego jest możliwe, że przy silnym wietrze lub patrząc z boku na listwę prowadzącą będzie widać kawałek materiału za taśmą zipu, ale ma to małe znaczenie w porównaniu z widokiem lub szczelnością materiału (ograniczenie fałdowania).

Normalne zjawiska związane z tkaninami technicznymi

W okolicy zgrzewu lub pośrodku tkaniny może dojść do sfaldowania materiału, tzw. efektu choinkowego. To zjawisko jest normalne, ponieważ podczas używania na materiał działają różne siły. Następnym zjawiskiem mogą być widoczne odciski od walca na materiale. Znikną one przy wyższej temperaturze, kiedy materiał wyrówna się.

SCREEN HR10-ZIP (2-01450-0000)

pozycja	nazwa pozycji	Nazwa handlowa	numer rysunku
1	Profil dolny - HR10-ZIP	ZPH182	6-015158-0000
1	Wałek nawijający HR10-ZIP Al Ø 78x1,25mm - 4,5m	ZPH184	6-015160-0000
1	Wałek nawijający HR10-ZIP Al Ø 55mm - 6m	ZPH123	6-014027-0000
1	Wałek nawijający HR7/HR8-ZIP Al Ø 67mm - 6m	ZPH124	6-013982-0000
1	Wałek nawijający śr. 85x1,2mm - 6m	ZPA020	6-016860-0000
1	Pręt plastikowy 6,0 mm PVC	ZP0097/0006	6-016911-0006
1	Uszczelka listwy dolnej	ZPH116	6-013974-0000
1	Profil obciążnika listwy dolnej 20x20mm - Fe/Zn	ZPH202	6-015193-0000
1	Pręt plastikowy 3,0 mm PVC	ZP0097/0003	6-016911-0003
10	Ściana boczna - LEWA	ZPH175	6-015131-0000
10	Ściana boczna - PRAWA	ZPH174	6-015130-0000
10	Profil KASETA	ZPH176	6-015152-0000
10	Profil KASETA - dolny HR10-ZIP	ZPH177	6-015153-0000
10	Przesuwny moduł do ściany bocznej - lewy - czarny	ZPH185	6-015161-9004
10	Profil kątowny Al - 20 x 20 x 2 mm*	ZPH195	6-015179-0000
10	Przesuwny moduł do ściany bocznej - prawy - czarny	ZPH186	6-015162-9004
10	Montażowa płyta podstawy	ZPH187	6-015163-0000
10	Profil samoprzylepny 1800 mm	ZPH197	6-015184-0000
10	Uchwyt kabla - samoprzylepny	ZPH196	6-015183-0000
20 - 22	Materiał dzielony do screen		patrz wzornik SCREEN
220	Bezpiecznik końcówki listwy dolnej - PRAWA CZARNA	ZPH191	6-015175-9004
230	Bezpiecznik końcówki listwy dolnej - LEWA CZARNA	ZPH192	6-015176-9004
240	Końcówka listwy dolnej - LEWA - CZARNA	ZPH193	6-015177-9004
250	Końcówka listwy dolnej - PRAWA - CZARNA	ZPH194	6-015178-9004
320	Kołpak wałka Ø 78mm	ZPH199	6-015188-0000
320	Kołpak wałka Ø 67mm	ZPH139	6-013984-0000
320	Kołpak wałka Ø 55mm	ZPH136	6-014238-0000
320	Kołpak wałka Ø 67mm z kwadr. Otworem 12	ZPH141	6-013983-0000
320	Końcówka wałka śr. 85 mm - przelotowa	ZPA008/1	3-04403-9004
320	Kołpak wałka Ø 55mm z kwadr. Otworem 12	ZPH138	6-014243-0000
331	Wkładka końcówki wału - śr. 50mm	ZPA017	3-03486-9004
331	Nadstawka kołpaka wałka śr. 78mm	ZPH200	6-015189-0000
340	Kołek kołpaka wałka - 12 mm Fe/Zn	ZPH129	6-013985-0000
350	Silniki (SOMFY, BECKER) SCREEN patrz silniki		patrz Silniki, strona 97
350	Zabierak LT60 HI - PRO Ø 78mm	MRH 119	6-013868-0000
350	Zabierak LT50 HI - Ø 65mm	ZPH160	6-013980-0000
350	Zabierak LT50 HI - Ø 85mm	ZPH161	6-014326-0000
350	Zabierak LS40 - Ø 50mm	ZPH163	6-014328-0000
360	Prowadzenie - listwa HR10-ZIP - lewe		2-01452-PU11L
360	Click-profil do LP - HR10-ZIP**	ZPH180	6-015156-0000
360	Końcówka do Click profilu HR10-ZIP	ZPH201	6-015190-0000
360	Końcówka LP 1120 - HR10-ZIP - LEWA	ZPH188	6-015171-0000
360	Profil VL 1040 pro HR10-ZIP	ZPH206	6-015203-0000
360	Profil listwy prowadzącej 1040 część przednia	ZPH207	6-015204-0000
360	Końcówka LP 1040 - HR10-ZIP - LEWA / PRAWA	ZPH208	6-015205-0000
370	Prowadzenie - listwa HR10-ZIP - prawe		2-01452-PU11P
370	Profil listwy prowadzącej 1120 zamknięcie	ZPH178	6-015154-0000
370	Zacisk pokrywy kasety - czarny	ZPH179	6-015155-9004
370	Profil listwy prowadzącej 1120 zamknięcie	ZPH181	6-015157-0000
370	Sprężyna listwy prowadzącej ZIP	ZPH147/1	7-303662-0000
370	Profil prowadzący dla zip	ZPH145	6-014155-0000
370	Końcówka VL 1120 - prawa	ZPH189	6-015172-0000
370	Profil - uchwyt LP na zip - czarny	ZPH198	6-015185-0000

*Do listew prowadzących typu 1120 i 1040 dostarcza się KASETĘ bez kątownika.

**Do listew prowadzących typu 1120 z clip-profiłem, i 1040 z clip-profiłem dostarcza się KASETĘ z kątownikiem.

Silniki SCREEN HR10-ZIP (2-01450-0000)

pozycja	nazwa pozycji	Nazwa handlowa	numer rysunku
101	Silnik ALTUS 50 RTS 10/17	MR 091/10	6-011170-0010
102	Silnik ALTUS 50 RTS 15/17	MR 091/15	6-011170-0015
103	Silnik ALTUS 50 RTS 20/17	MR 091/20	6-011170-0020
201	Silnik Sunea 50 Screen io 10/17	ZP0085	6-012559-1017
202	Silnik Sunea 50 Screen io 15/17	ZP0086	6-012559-1517
203	Silnik Sunea 50 Screen io 20/17	ZP0092/20	6-012559-2017
301	Silnik MAESTRIA +50 IO 10/17 VVF5M	ZP0085/1	6-012538-1017
302	Silnik MAESTRIA +50 IO 15/17 VVF5M	ZP0086/1	6-012538-1517
303	Silnik MAESTRIA +50 IO 25/17 VVF5M	ZP0087/1	6-012538-2517
401	Silnik MAESTRIA +50 WT 10/17 VVF3M	ZP0093/10	6-015258-1017
402	Silnik MAESTRIA +50 WT 15/17 VVF3M	ZP0093/15	6-015258-1517
403	Silnik MAESTRIA +50 WT 25/17 VVF3M	ZP0093/25	6-015258-2517
501	Silnik LS 40 9/16	PR0125	6-002624-0009
601	Silnik Sunea 40 Screen io 09/16 5m	ZP0091/16	6-014483-0009

Silniki (Becker) Screen HR10-ZIP (6-015258 / 6-012538 / 6-002624 / 6-014483)

pozycja	nazwa pozycji	Nazwa handlowa	numer rysunku
510	Silnik BECKER 50 E 08/17	X.2010/1301590	6-017861-0008
510	Silnik BECKER 50 E 12/17	X.2010/1301600	6-017861-0012
510	Silnik BECKER 50 E 20/17	X.2010/1301450	6-017861-0020
500	Silnik BECKER 50 Screen C 08/17 PLUS	X.2010/1302170	6-018761-0008
500	Silnik BECKER 50 Screen C 12/17 PLUS	X.2010/1302180	6-018761-0012
500	Silnik BECKER 50 Screen C 20/17 PLUS	X.2020/1301860	6-018761-0020

*Uwaga: E=mechaniczny (wyłącznik) / C=radiowy (pilot)

Silniki (ISOTRA BASIC) Screen HR 10-ZIP-BOX-110

pozycja	nazwa pozycji	Nazwa handlowa	numer rysunku
600	Motore ISOTRA BASIC, 10Nm/17, ze zintegrowanym odbiornikiem, SC zip	X.AM45 10/17S	6-019173-0010
600	Moteur ISOTRA BASIC, 15Nm/17, ze zintegrowanym odbiornikiem, SC zip	X.AM45 15/17S	6-019173-0015
600	Moteur ISOTRA BASIC, 20Nm/17, ze zintegrowanym odbiornikiem, SC zip	X.AM45 20/17S	6-019173-0020

Motori (Geiger) Screen ALFA - ZIP (2-00530-0002)

pozycja	nazwa pozycji	Nazwa handlowa	numer rysunku
10	Motore Geiger Solid Line ZIP AIR 6/16	PR0790/06	6-015903-0006
11	Motore Geiger Solid Line ZIP AIR 10/16	PR0790/10	6-015903-0010
12	Motore Geiger Solid Line ZIP AIR 20/16	PR0790/20	6-015903-0020
70	Trascinatore SOLID LINE AIR - Diam. 95	ZPA015/95	6-015904-0095
70	Trascinatore SOLID LINE AIR - Diam. 78	ZPA015/78	6-015904-0078
70	Trascinatore SOLID LINE AIR - Diam. 85	ZPA015/85	6-015904-0085
200	Gommino passante del cavo DI GOMMA diam.7	ZPH150	6-014339-0000
320	Vite 4,8x19 DIN 7982 C-H A2 testa accecata cardanica		6-013928-0000
330	Collare di cavo 300x4,8-NERO	ZPH168	6-014438-0000
340	Vite 3,5x19 DIN 7982 C-H A2 testa accecata cardanica		6-014439-0000
350	Vite M6x10 DIN 965-H, A2, accecata-cardanica		6-014497-0000
400	Asse del cuscinetto piana	ZPA005	3-03484-9004
410	Asse del cuscinetto noc clip	ZPA006	3-03485-9004

Masa

W przypadku rolety wbudowanej o szerokości 3,0 metry i wysokości 1,5 metra masa całkowita wynosi ok. 34,5 kg.

Masa kasety z aluminiowym wałkiem nawijającym $\varnothing 67$ mm, Masa dwóch standardowych listew prowadzących 1120: silnikiem i materiałem Satiné:

Kaseta	
DŁUGOŚĆ	MASA
1,0m	±13 kg
1,5m	±16 kg
2,0m	±20 kg
2,5m	±23 kg
3,0m	±27 kg
3,5m	±30 kg
4,0m	±34 kg
4,5m	±37 kg

2 LISTWY PROWADZĄCE	
DŁUGOŚĆ	MASA
0,5 m	±2,5 kg
1,0 m	±5 kg
1,5 m	±7,5 kg
2,0 m	±10 kg
2,5 m	±12,5 kg
3,0 m	±15 kg
3,5 m	±17,5 kg
4,0 m	±20 kg
4,5 m	±22,5 kg

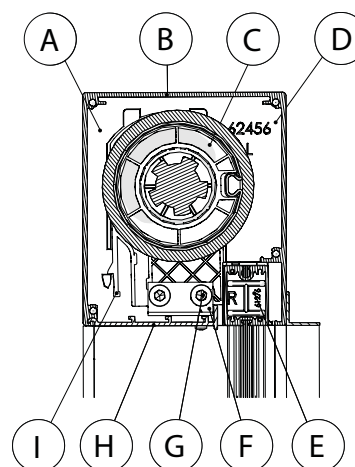
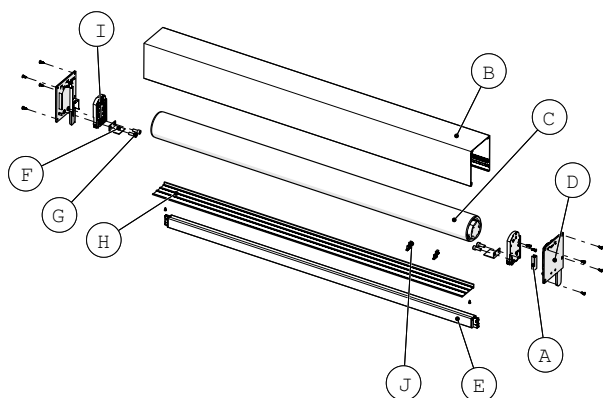
Specyfikacja techniczna

KASETA do SCREEN HR10-ZIP 2-01451-PU11)

Rama zewnętrzna kasety rolety składa się z dwóch części z ekstrudowanego aluminium: profilu kasety w kształcie U (B) i dolnego profilu kasety (H). Boki są zamknięte ścianami bocznymi (D), do których może być w pomoc przesuwnych modułów (I) włożony wałek nawijający z materiałem (C). Montażowe płyty podstawy (F) są wspólnie z przesuwными modułami umocowany w ścianach bocznych z pomocą śrub (G). Następnie można boczne strony dolnego profilu kasety przykręcić do tych montażowych płyt podstawy.

Kabel silnika prowadzi przez przepust kablowy (A) w ścianie bocznej i jest umocowany uchwytem kabla (J) na dolnym profilu kasety.

Dla podtynkowej rolety ekranowej HR10-ZIP jest do dyspozycji tylko jeden typ kasety, którego wymiary w przekroju wynoszą 122 mm × 140 mm.



- (A) przepust kablowy
 (B) profil kasety
 (C) wałek nawijający
 (D) ściana boczna
 (E) profil dolny
 (F) montażowa płyta podstawy

- (G) śruby M8×18
 (H) profil kasety dolny
 (I) przesuwny moduł
 (J) uchwyt kabla



Zapewnić, aby zawsze było możliwe otwarcie płyty podstawy kasety i zawieszony profil listwy prowadzącej (patrz sekcja Listwy prowadzące), dzięki czemu będzie zapewniony stały dostęp do części mechanicznych. W przypadku niedotrzymania tej zasady spółka ISOTRA nie odpowiada za koszty związane z pracami rozbiórkowymi, malowaniem lub tapetowaniem!

Uwaga: Jeżeli kaseeta jest zainstalowana odwrotnie, musi być możliwe otwarcie okna do wewnątrz. Jeżeli dojdzie do usterki z opuszczoną roletą, kaseeta musi być dostępna od wewnątrz.

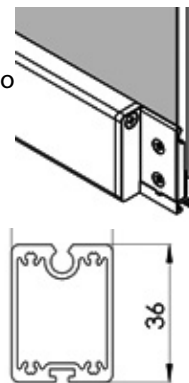
Profil dolny (6-015158-0000)

Dolny profil składa się z dwuczęściowego (lewego i prawego) bloku ślizgowego i profilu z ekstrudowanego aluminium lakierowanego proszkowo.

Profil posiada:

- Rowek do bezśrubowego umocowania materiału z pomocą pręta $\varnothing 3$ mm
- Komorę na pasek usztywniający
- Rowek na spodniej stronie do włożenia gumowego zderzaka (można go zastąpić szczotką)

Podwójny blok ślizgowy zapewnia prawidłowe napięcie materiału.

**Wałek nawijający**

W zależności od szerokości i typu materiału jest użyty bądź wałek nawijający $\varnothing 55$ mm z ekstrudowanego aluminium, lub wałek $\varnothing 78$ mm z ocynkowanej blachy stalowej (patrz tabela).

Wałki nawijające posiadają rowek do umocowania materiału z pomocą pręta $\varnothing 4$ mm dla wałka $\varnothing 55$ mm lub pręta $\varnothing 6$ mm dla wałka $\varnothing 78$ mm.

Na obu stronach wałka nawijającego jest umieszczony stożkowy sworzeń. Na stronie napędu chodzi o otwarty sworzeń dostosowany do silnika.

Wałek nawijający	$\varnothing 55$ mm*	$\varnothing 78$ mm
	Material Pręt	6-015160-0000
Szerokość całkowita rolety	aluminium	blacha ocynkowana
Soltis 92	$\varnothing 4$ mm	$\varnothing 6$ mm rowkowana
Satiné Blackout	655–815 mm	815–4500 mm
Satiné	655–815 mm	815–4500 mm
Blackout	655–815 mm	815–4500 mm

*Standardowo dostarczany silnik LS40, Sunea 40 io lub Becker $\varnothing 40$. Dla wersji RTS trzeba zamówić do silnika LS40 shutter in the wall.

Ściana boczna lewa/prawa (6-015130-0000/6-015131-0000)

- Wymiary: 122 x 140 mm

Aluminiowe ściany boczne mają zintegrowany czop, który zapada do dolnego profilu listwy prowadzącej. Wewnątrz są pionowe rowki; do jednego z nich zapada dolna lamela a do drugiego przesuwny moduł, który tu mocno wciśnie się.

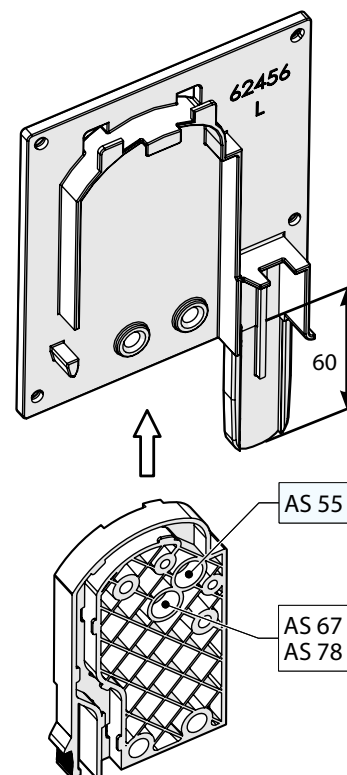
Przesuwny moduł ściany bocznej lewy/prawy czarny

(6-015161-9004/6-015162-9004)

Wymiary: 66,5 x 115 mm

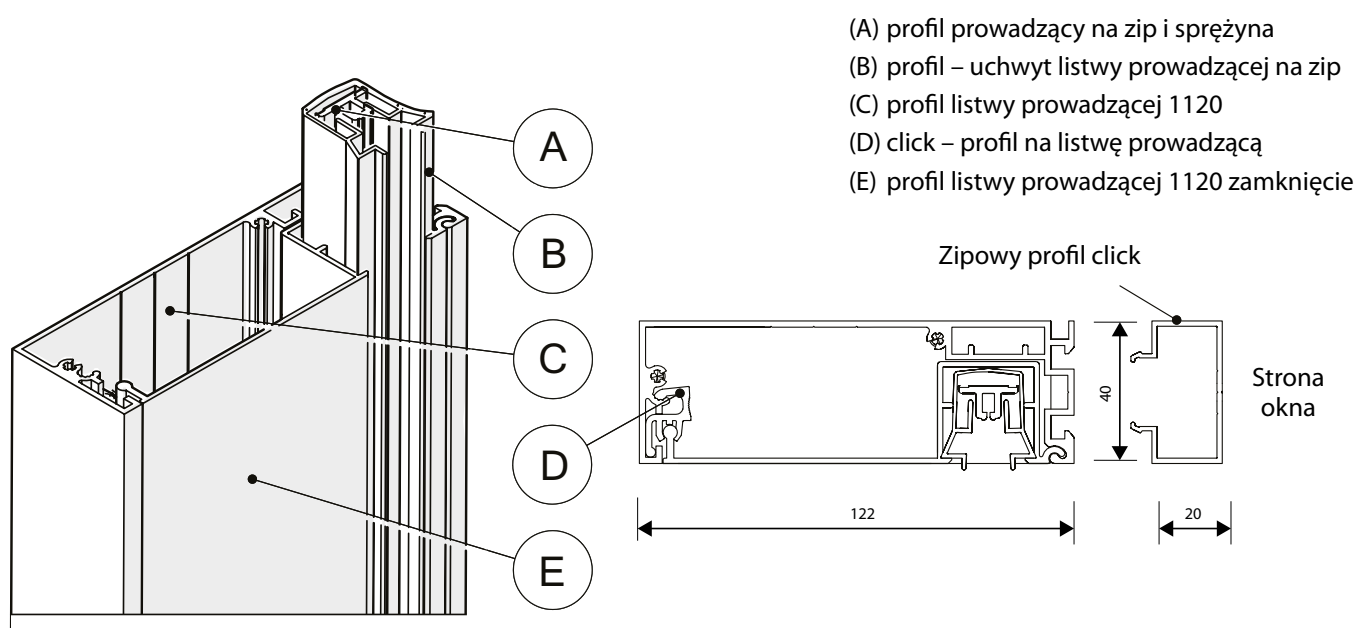
Przesuwne moduły są wyprodukowane z poliamidu zbrojonego włóknem szklanym. Posiadają kilka otworów do umocowania silnika na stronie napędu i otwór na wałek nawijający na przeciwnej stronie. Dla każdej średnicy wałka muszą być użyte takie same otwory. Po naciśnięciu zatraskowego czopu można wyjąć przesuwny moduł ze ściany bocznej.

Od spodu są dwa otwory do umocowania ogranicznika płyty podstawy do ścian bocznych.



Listwy prowadzące

Listwa prowadząca 1120 (6-015157)



- (A) profil prowadzący na zip i sprężyna
- (B) profil – uchwyt listwy prowadzącej na zip
- (C) profil listwy prowadzącej 1120
- (D) click – profil na listwę prowadzącą
- (E) profil listwy prowadzącej 1120 zamknięcie

Kompletne szerokie listwy prowadzące 1120 składają się z profilu podstawowego (C), profilu zawieszonoego (E) i uchwytu (B) z profilem zipowym (A). Od spodu podstawowej części każdej listwy prowadzącej jest aluminiowa końcówka. Na stronie okna zawieszony profil zawiesi się do profilu podstawowego listwy prowadzącej a na zewnętrznej stronie zawieszony profil zatrzaśnie się do plastikowych uchwytów (D), które są umieszczone od spodu (patrz rysunek). Uchwyt i profil zipowy można włożyć tylko wtedy, kiedy zawieszony profil jest zamknięty, ponieważ uchwyt i profil zipowy są o 35 mm dłuższe niż listwa prowadząca i najpierw umieści się do kasety a następnie do zawieszonoego profilu.

Profil podstawowy i zawieszony są wyprodukowane z ekstrudowanego aluminium lakierowanego proszkowo. Uchwyt i profil zipowy są wyprodukowane z tworzywa sztucznego.

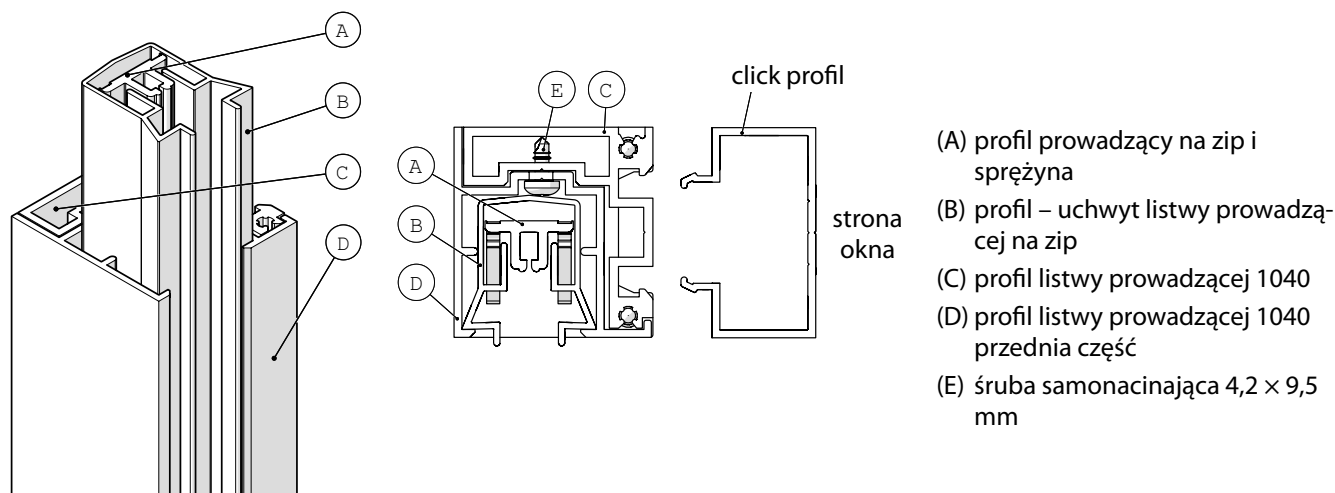
jeżeli chcemy między roletę i okno umieścić siatkę przeciwko owadom, trzeba między kasetę i listwę prowadzącą włożyć specjalne profile click.

Podczas montażu rolety HR10-ZIP trzeba najpierw umocować podstawowe części na ramie okna z potrzebną dokładnością (patrz instrukcja instalacji!). Do każdej listwy prowadzącej jest do dyspozycji dostateczna liczba śrub.

W razie wybrania profilu click zatrzaśkowe profile są umocowane do spodniej części końcówką z użyciem tych śrub. Podstawowe części następnie można zatrzasnąć do tych profili.

Następnie na listwy prowadzące umocuje się kasetę rolety ze sworzniami w listwach prowadzących.

Listwa prowadząca 1040 (6-015203)



Kompletne szerokie listwy prowadzące 1040 składają się z profilu podstawowego (C), profilu przedniego (D) i uchwytu (B) z profilem zipowym (A). Od spodu podstawowej części każdej listwy prowadzącej jest aluminiowa końcówka. Przedni profil umocuje się do profilu podstawowego listwy prowadzącej z pomocą śruby samonacinającej (patrz rysunek 7b). Uchwyt i profil zipowy można włożyć tylko wtedy, kiedy przedni profil jest umocowany, ponieważ uchwyt i profil zipowy są o 35 mm dłuższe niż listwa prowadząca.

Profil podstawowy i przedni są wyprodukowane z ekstrudowanego aluminium lakierowanego proszkowo. Uchwyt i profil zipowy są wyprodukowane z tworzywa sztucznego.

Jeżeli chcemy między roletę i okno umieścić siatkę przeciwko owadom, trzeba między kasetę i listwę prowadzącą włożyć specjalne profile click. Podczas montażu rolety HR10-ZIP trzeba najpierw umocować podstawowe części na ramie okna z potrzebną dokładnością (patrz instrukcja instalacji!). Do każdej listwy prowadzącej jest do dyspozycji dostateczna liczba śrub.

W razie wybrania profilu click zatraskowe profile są umocowane do spodniej części końcówką z użyciem tych śrub. Podstawowe części następnie można zatrzasnąć do tych profili.

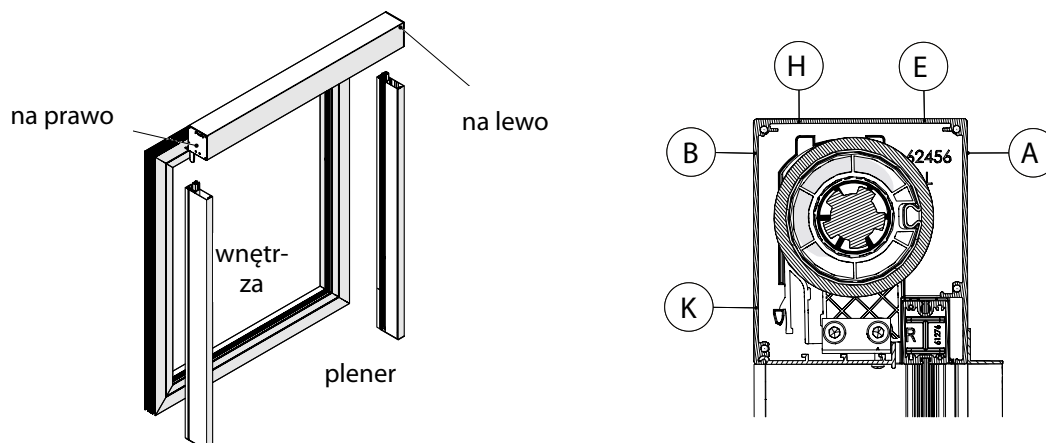
Następnie na listwy prowadzące umocuje się kasetę rolety ze sworzniami w listwach prowadzących.

Obsługa

Podtynkowa roleta ekranowa HR10-ZIP jest zawsze opisywana patrząc od wewnątrz (WNĘTRZE).

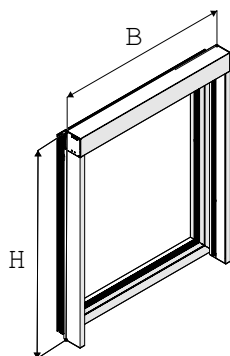
Roleta HR10-ZIP ma zawsze napęd elektryczny, który może być umieszczony po lewej lub prawej stronie. Po wybraniu strony napędu można wybrać, czy kabel będzie przechodził po bocznej listwie prowadzącej, czy otworem, który wywierci się w górnej lub tylnej części profilu kasety (patrz rysunek 6).

Silniki mają czas pracy ciągłej ok. 4 minuty, następnie przełączają się do trybu ochrony termicznej (patrz instrukcja silnika).



SCREEN HR10-ZIP

Wymiarzenie



Podaje się następujące wymiary:

B – szerokość

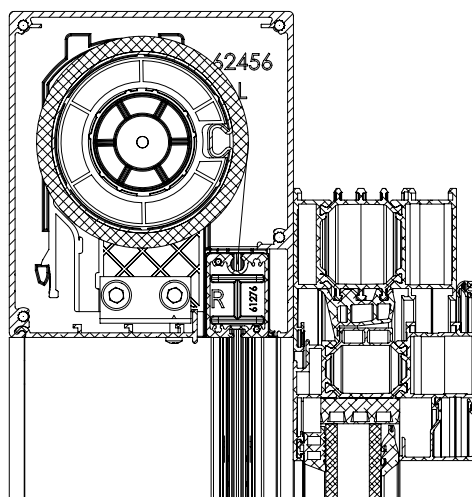
H – wysokość

Finalna szerokość B równa się szerokości kasety, co również odpowiada odległości między zewnętrznymi krawędziami lewej i prawej listwy prowadzącej. Podana szerokość nie zawsze równa się szerokości okna, ale zależy od wykonania okna (patrz rysunek).

Wysokość finalna H równa się wysokości wraz z kasetą i końcówkami listew prowadzących. Oba wymiary są podane w mm.

Montaż

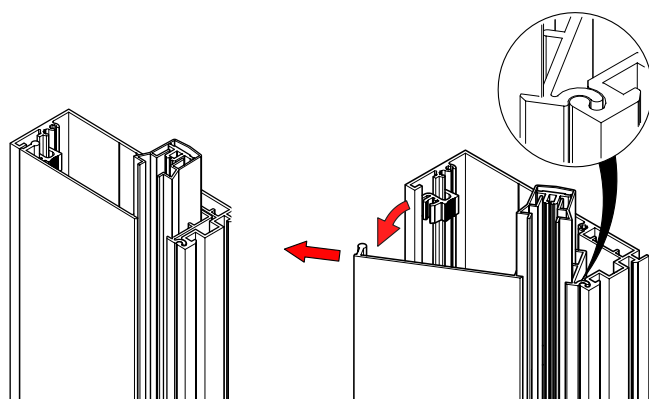
Sam montaż składa się z 4 kroków.



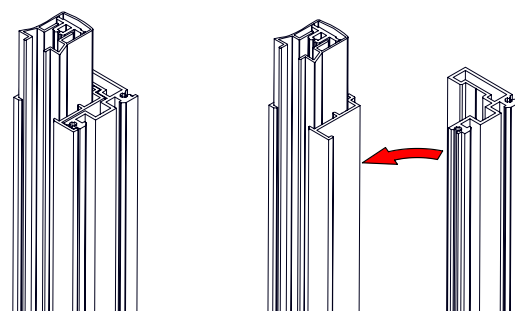
1. krok

Listwy prowadzące są dostarczane już zmontowane. Zamknięcie listwy prowadzącej musi zostać usunięte, zanim profil podstawowy listwy prowadzącej jest zamontowany na okno. Profil prowadzący na zip może zostać w zamknięciu listwy prowadzącej.

Listwa prowadząca 1120

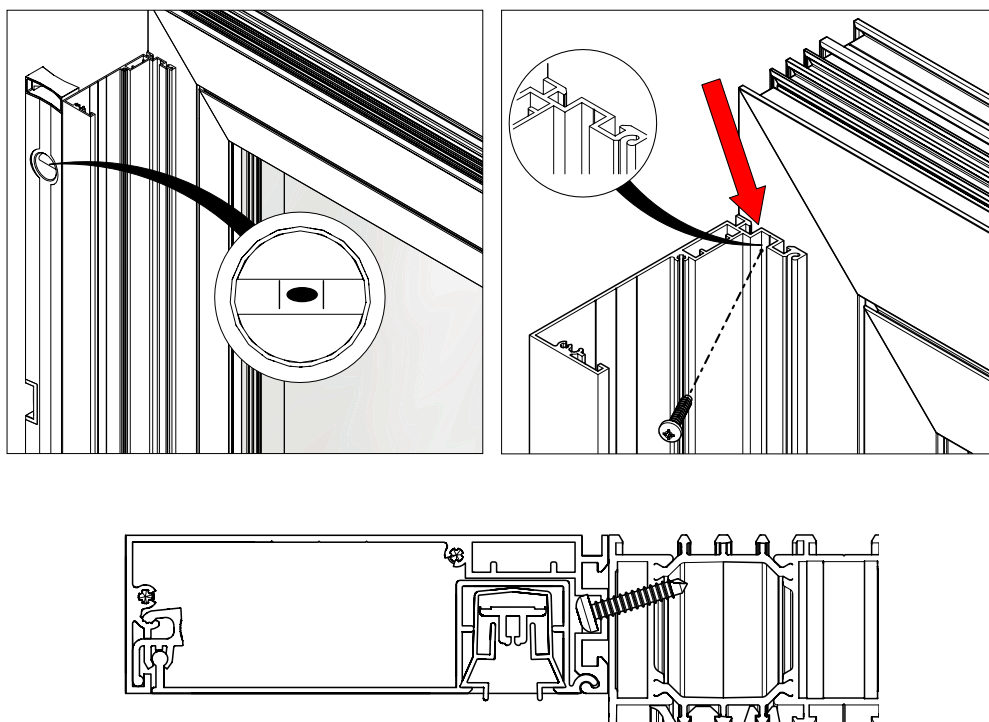
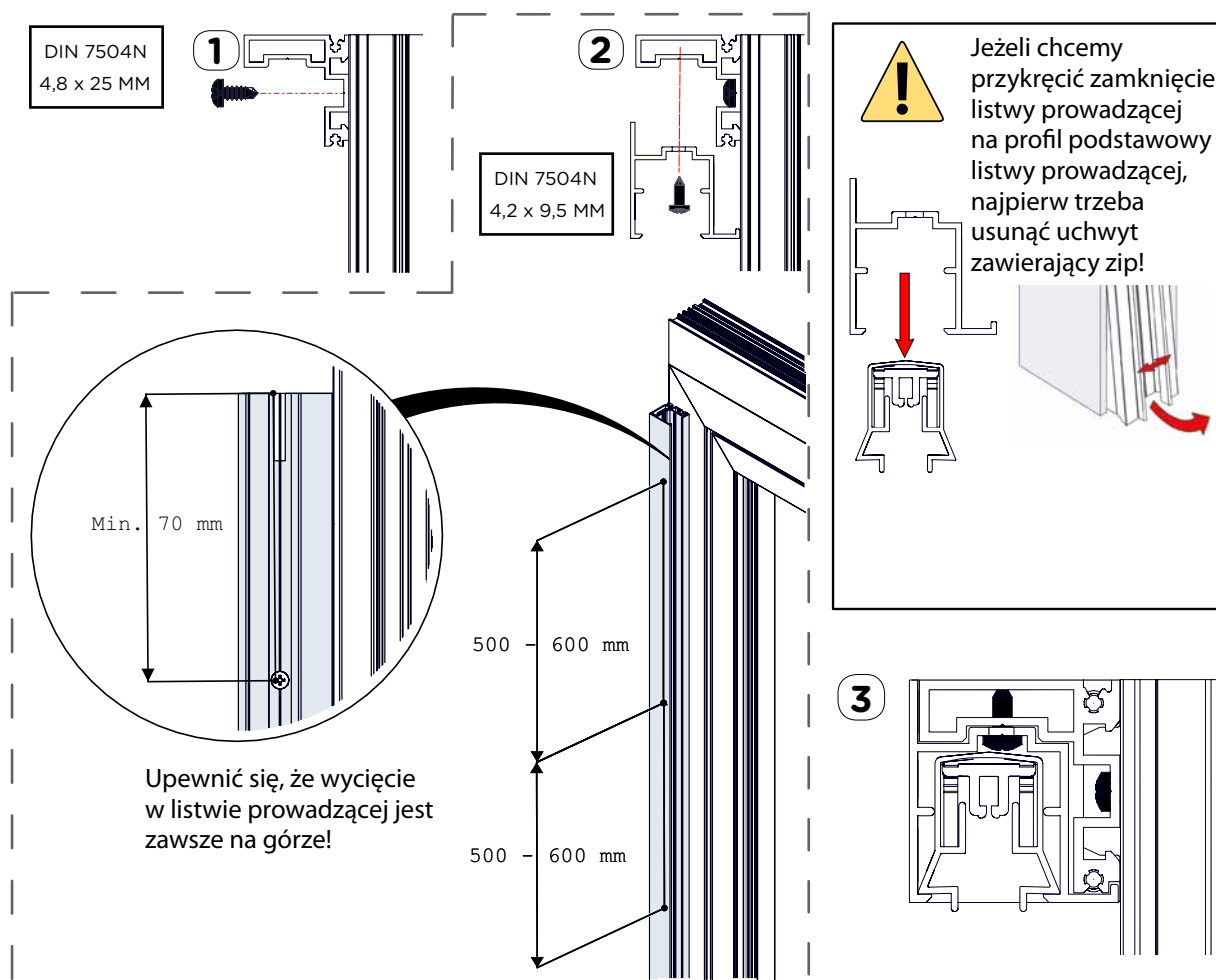


Listwa prowadząca 1040



2. krok

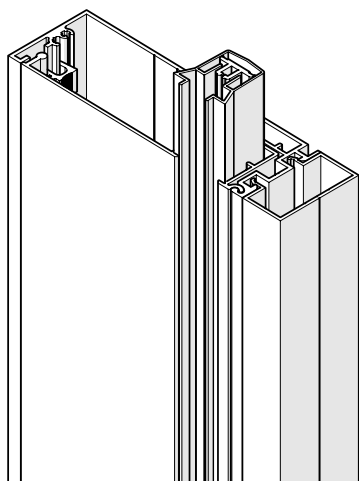
Zamontować profil podstawowy listwy prowadzącej na okno z pomocą dostarczonych śrub.

Listwa prowadząca 1120**Listwa prowadząca 1040 = listwa prowadząca 1120 zamontowana na powierzchni**

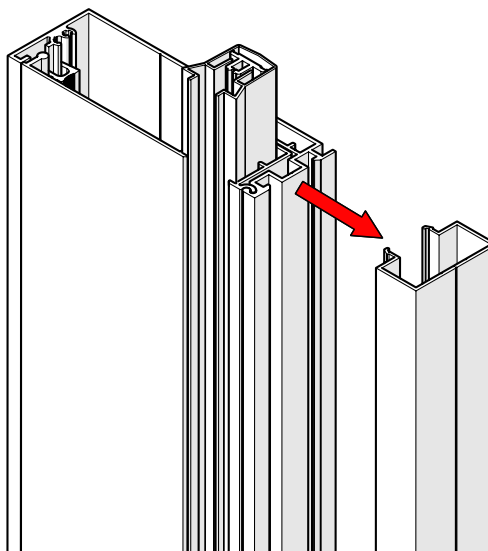
Listwa prowadząca 1120 – click profil



- Listwy prowadzące są dostarczane już zmontowane. Click profil musi zostać usunięty z profilu podstawowego.

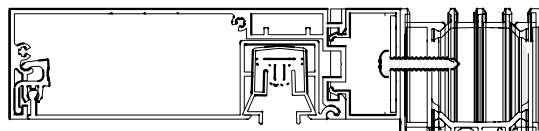
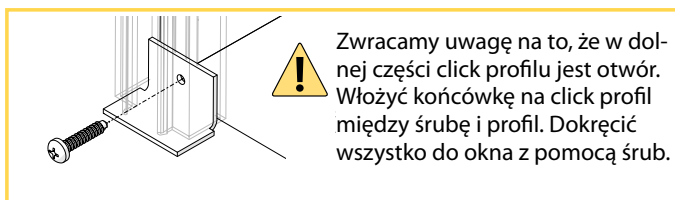
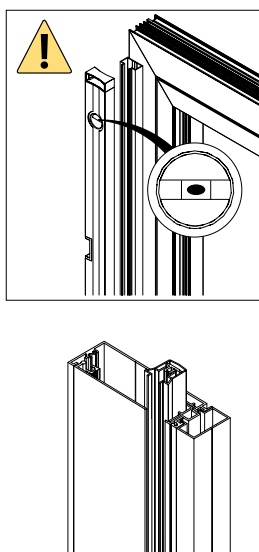
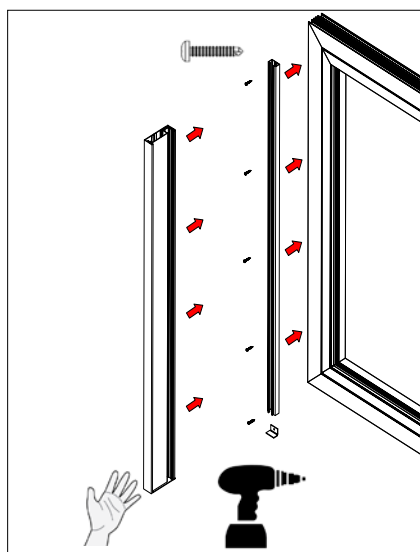


Click profil musi być odłączony od profilu podstawowego przed zamontowaniem na okno.



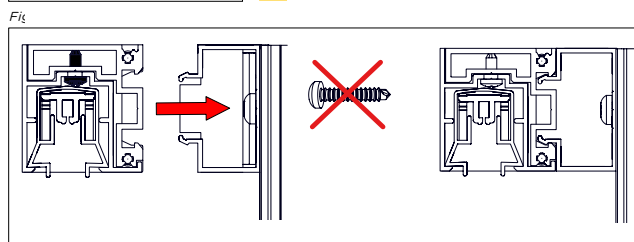
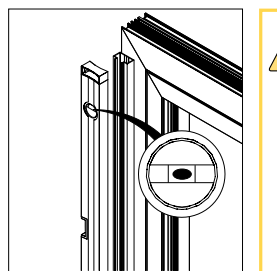
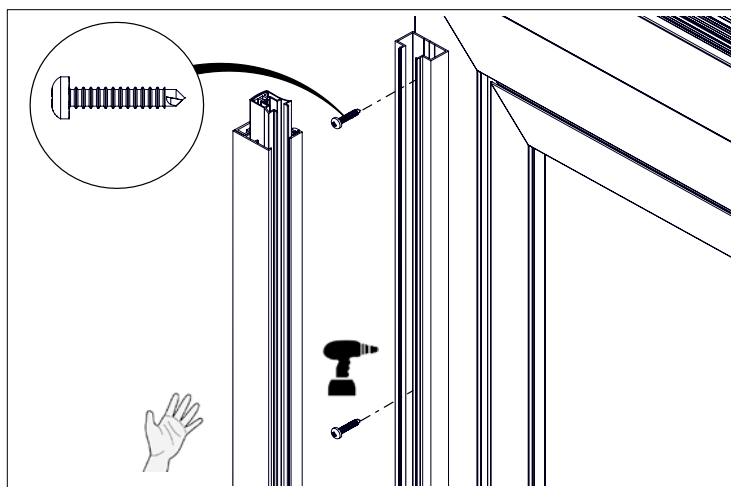


Trzeba pamiętać, że trzeba przykręcić tylko click profil na okno. Profil podstawowy listwy prowadzącej zostanie następnie umocowany do click profilu z pomocą click złączki.

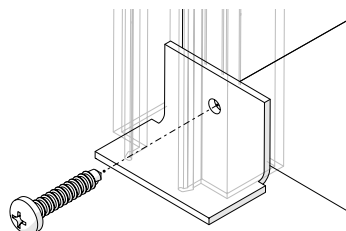


Listwa prowadząca 1040 – click profil

Montaż jest taki sam jak listwy prowadzącej 1120. Listwa prowadząca jest dostarczana już zamontowana. Przypiąć listwę prowadzącą do click profilu (po jego umocowaniu na okno).

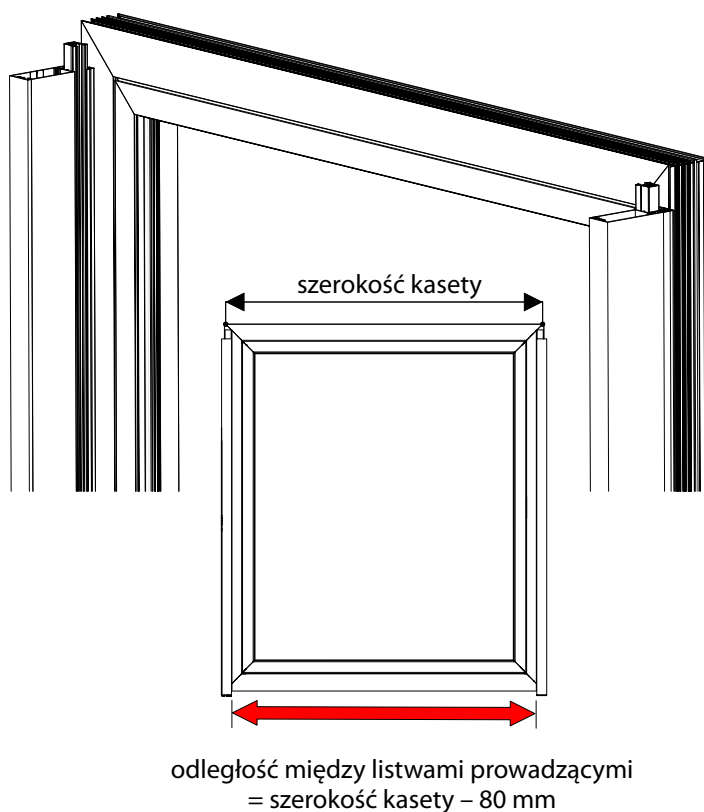


Należy pamiętać, że na spodniej stronie click profilu jest mały otwór. Do tego otworu umieścić dostarczoną końcówkę między śrubę i profil. Wszystko mocno przykręcić do okna.



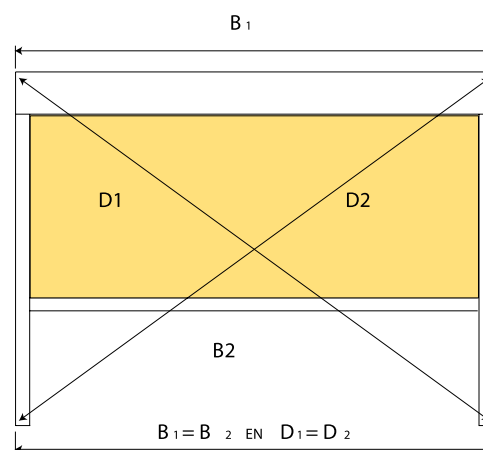
3. Krok

Przeprowadzić taką samą procedurę montażową dla następujących listew prowadzących.



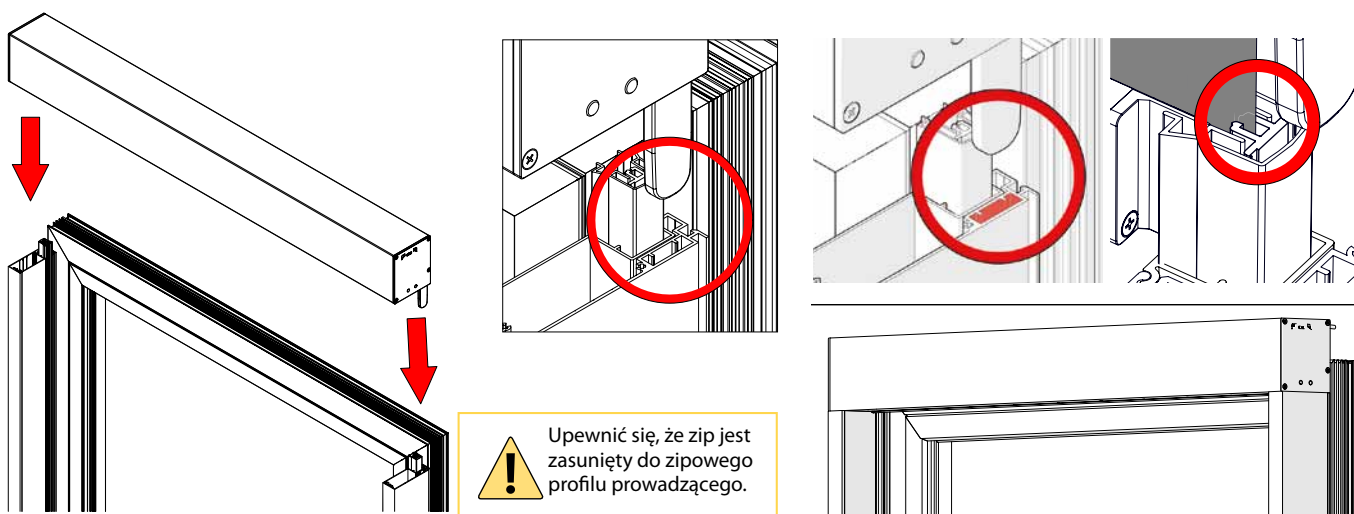
Upewnić się, że roleta ekranowa tworzy zawsze doskonały kwadrat. Można to sprawdzić tylko w jeden sposób.

Skontrolować, czy listwy prowadzące są równoległe i prostopadłe do kasety. Zmierzyć odległość między listwami prowadzącymi z dokładnością do milimetra. Zacząć bezpośrednio pod kasetą. Odchyłki większe niż 2 mm mogą powodować problemy z roletą i/lub listwą prowadzącą a materiał nie musi być dobrze napięty. Przeprowadzić dalsze pomiary z dokładnością do milimetra przez przekątne. Jeżeli kasetka i listwy prowadzące nie są zamontowane prawidłowo, dolna listwa może się zrolować ukośnie do kasety i materiał będzie pofałdowany.



4. Krok

Po zamontowaniu obu listew prowadzących opuścić kasetę na listwy prowadzące. Upewnić się, że kołki ścian bocznych zapadły do listew prowadzących a zip jest umieszczony w prowadnicy zipu.

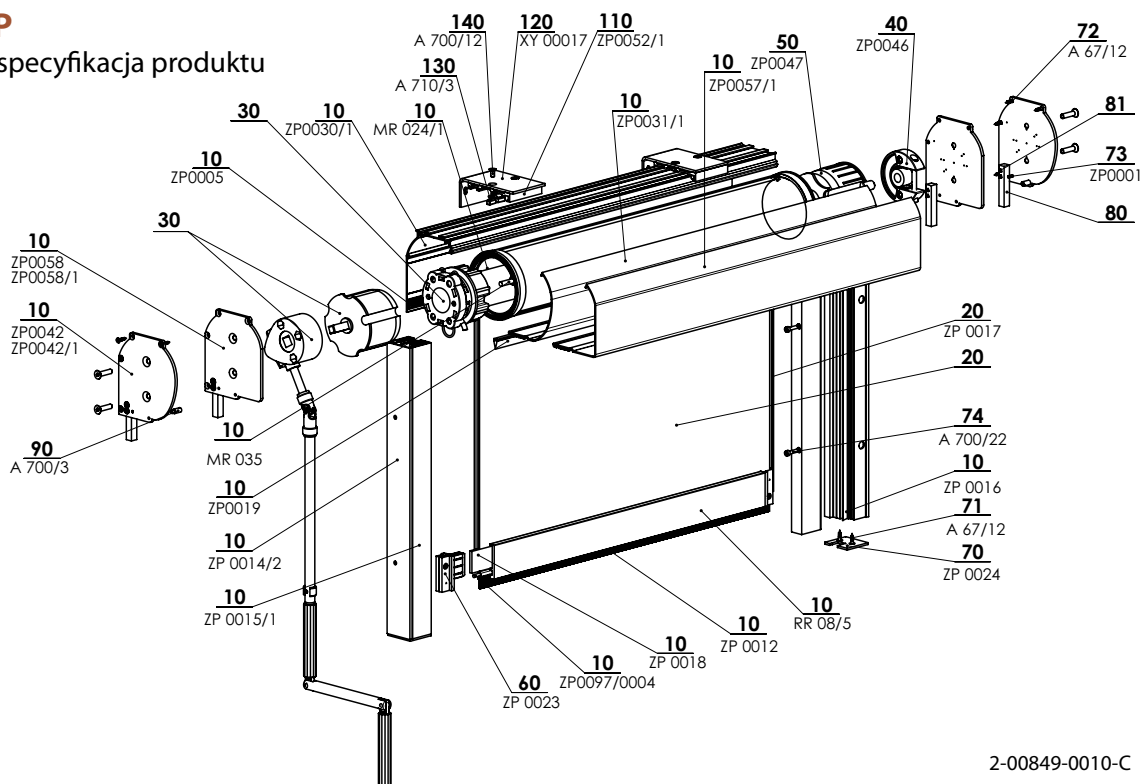




- ▲ Dekoracyjny i nowoczesny element zewnętrzny budynków,
- ▲ minimalne przenikanie światła dzięki absolutnemu napięciu materiału,
- ▲ Klasa odporności na wiatr 3,
- ▲ efekt termoregulacyjny,
- ▲ ochrona przed owadami w zamkniętej pozycji,
- ▲ kolory konstrukcji według wzornika RAL.

SCREEN ZIP

Podstawowa specyfikacja produktu







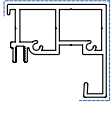
Obsługa

Służy do spuszczenia i podnoszenia rolety ekranowej.

Silnik - możliwość sterowania z pomocą czujnika słońce / wiatr, ewentualnie pilotem zdalnego sterowania lub wyłącznikiem.

Korbka - przeciągnięcie prętowego mechanizmu do obsługi do wnętrza przeprowadza się pod kątem między 45° i 90° z pomocą przepustu i pręta sześciokątnego (Kolory: szary / anodowane).

Specyfikacja

	Profil górny			Dolny profil	Boczne prowadzenie listwa prowadząca	Montaż
	Kaseta	Kaseta	wałek nawijający			
Nazwa handlowa	C 105	CT 105	MR 024/1	FZ 47	GS40	do stropu (do otworu okiennego) na ścianę (przed otwór okienny)
Wymiar (mm)	103x116,5	104,5x116,5	Ø 78 mm	20x47,4	40x42,2	
Materiał	Al	Al	Fe	Al	Al	
						
Kolor	Standardowy: RAL 9006 jasno srebrny RAL 9007 ciemno srebrny RAL 9010 biały			RAL 7016 antracytowo szary RAL 7016S antracytowo szara struktura RAL 8014 brązowy pozostałe kolory RAL na życzenie*		

*oprócz części plastikowych, maksymalna szerokość 4000 mm 4000 mm

Nietypowych wariantów nie produkujemy..

Standardowe wymiary

Wersja	Szerokość (mm)		Wysokość (mm)		Gwarantowana powierzchnia (m ²)
	min.	maks.	min.	maks.	
Silnik	800	4500	500	3000	13,5
Korbka	500	4500	500	3000	13,5

Materiały typu Blackout:

Nieprzepuszczalna warstwa przy każdym typie montażu jest umieszczona na stronie okna. W przypadku montażu na zewnątrz silny wiatr może spowodować nieznaczne podnoszenie dolnej listwy i materiału, dlatego nie zawsze można gwarantować 100% zaciemnienie. W przypadku materiałów Blackout zipy są umocowane na stronie licowej, nie na warstwie przezroczystej, dlatego jest możliwe, że przy silnym wietrze lub patrząc z boku na listwę prowadzącą będzie widać kawałek materiału z taśmy zipu, ale ma to małe znaczenie w porównaniu z widokiem lub szczelnością materiału (ograniczenie fałdowania).

Normalne zjawiska związane z tkaninami technicznymi

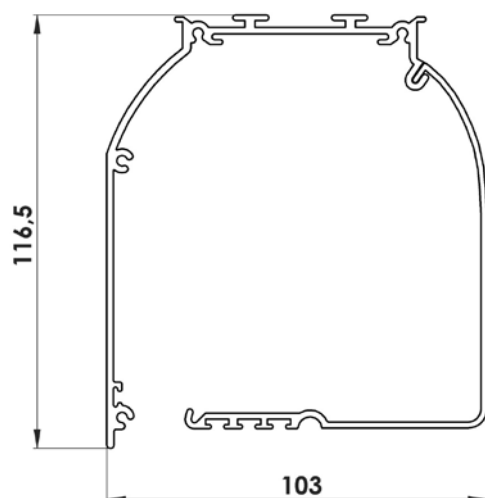
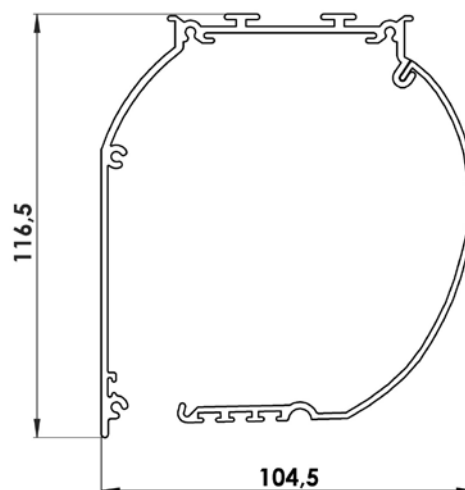
W okolicy zgrzewu lub pośrodku tkaniny może dojść do sfaldowania materiału, tzw. efektu choinkowego. To zjawisko jest normalne, ponieważ podczas używania na materiał działają różne siły. Następnym zjawiskiem mogą być widoczne odciski od walca na materiale. Znikną one przy wyższej temperaturze, kiedy materiał wyrówna się.

SCREEN ZIP (2-00849-0010)

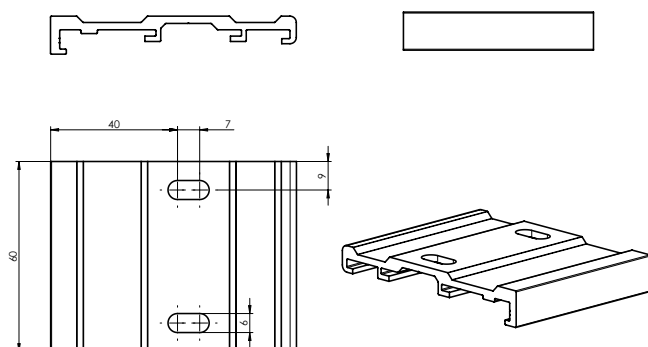
pozycja	nazwa pozycji	Nazwa handlowa	numer rysunku
10	Listwa dolna Al - FZ 472	RR 08/5	7-302966-0000
10	Obciążnik screen płaski (cynkowany ogniowo)	ZP0018	3 01381-PU27
10	Szczotka szer.4.8 x wys. 7mm czarna	ZP0005	6-009219-0000
10	Pręt plastikowy 4,0 mm PVC	ZP0097/0004	6-016911-0004
10	Pokrywa Al. - CT105 górna, stała, surowa	ZP0030/1	7-302968-0000
10	Pokrywa Al. - CT105 dolna, rewizyjna, okrągła, surowa	ZP0031/1	7-302969-0000
10	Pokrywa Al. - CT105 dolna, rewizyjna, prostokątna, surowa	ZP0057/1	7-302971-0000
10	Wiekno boczne anod., CT105 okrągłe, surowe - para	ZP0042	6-009194-0002
10	Wiekno boczne okrągłe - para	ZP0042/1	2-01007-0000
10	Wiekno boczne anod., CT105 prostokątne, surowe - para	ZP0058	6-011456-0000
10	Wiekno boczne prostokątne - para	ZP0058/1	2-01008-0000
10	Szczotka szer.4.8 x wys. 12mm czarna	ZP0012	6-009148-0000
10	Uszczelka PVC 5,5 x 12 mm	ZP0019	6-008716-0000
10	Wałek nawijający markizy śr. 78 mm - 6 m	MR 024/1	6-011084-0078
10	Pręt plastikowy 6,0mm PVC	ZP0097/0006	6-016911-0006
10	Wkładka ZIP do GS 40 czarna	ZP0016	6-008707-0001
10	Listwa prowadząca Al - GS 40	ZP0014/2	7-303770-0000
10	Listwa w zamkn. Al - GS 40	ZP0015/1	7-302972-0000
20	Materiał screen		patrz wzornik SCREEN
20	ZIP (podwójny, rozrywa się na 2 części)	ZP0017	6-008709-0000
30	Silniki (SOMFY) screen		patrz Obsługa
30	Przekładnia + korbka do screen		patrz Obsługa
40	Uchwyt Al z tuleją komplet do silnika	ZP0046	6-009209-0000
50	Kołpak wałka śr. 78 PVC - teleskopowy	ZP0047	6-009210-0078
60	Końcówka listwy dolnej FZ 47 komplet	ZP0023	6-008949-0503
70	Końcówka LP - P/L	ZP0024/1	7-303027-0000
71,72	Wkręt 3,5x16 DIN 7997	A 67/12	6-009093-0000
73	Kołek sprężynowy 3x12 DIN 7346	ZP0001	6-009807-0000
74	Śruba imbus M4x16, DIN 912	A 700/22	6-012632-0000
80	Uchwyt LP - screen		7-303793-0000
81	Śruba M4x16 stal nierdzewna DIN 965-H 965-H		6-014750-0000
90	Śruba zabezpieczająca pokrywy M4	A 700/3	7-303030-0000
110	Profil - uchwyt stały do Screen	ZP0052/1	3 03058-PU11
120	Kątownik Fe gięty 100/40	XY 00017	3 02233-PU22
130	Nakrętka M5 DIN 6923 z kołnierzem zębatym	A 710/3	6-011882-0000
140	Śruba M5x10 Zn DIN 965-H	A 700/12	6-003186-0000

SCREEN ZIP

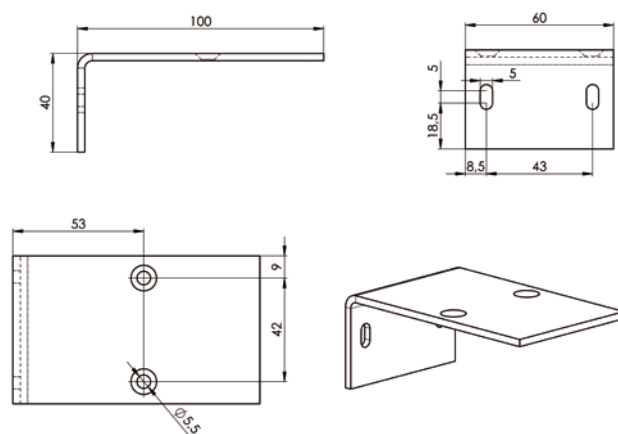
Specyfikacja techniczna

Profil górny C 105**Profil górny CT 105****Uchwyt profilu górnego**

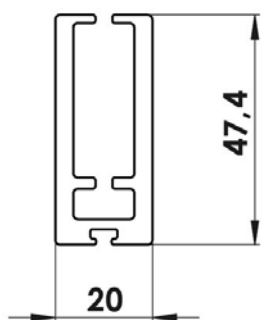
(3-03058-PU11)

**Konsola L**

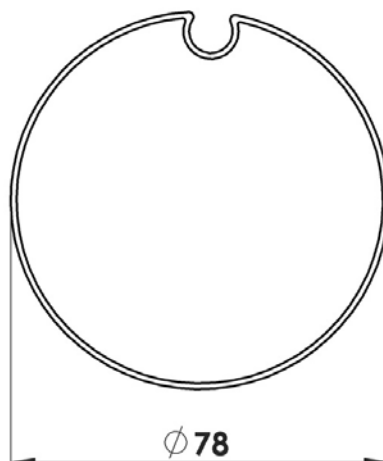
(RO-018, 7-302233)

**Profil dolny FZ 47**

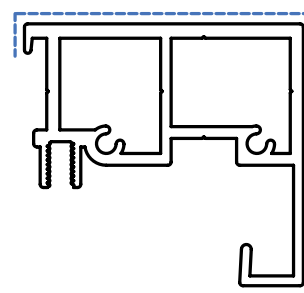
(3-03058-PU11)

**Walek nawijający**

(6-011084)

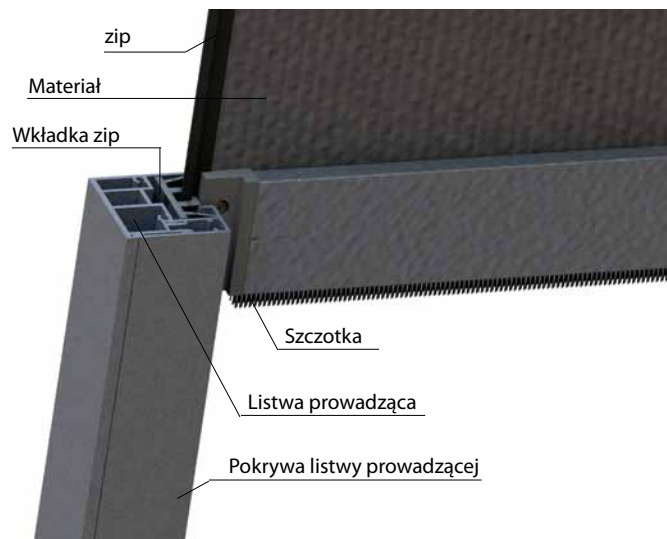
**Listwa prowadząca GS 40**

(7-303770-0000)



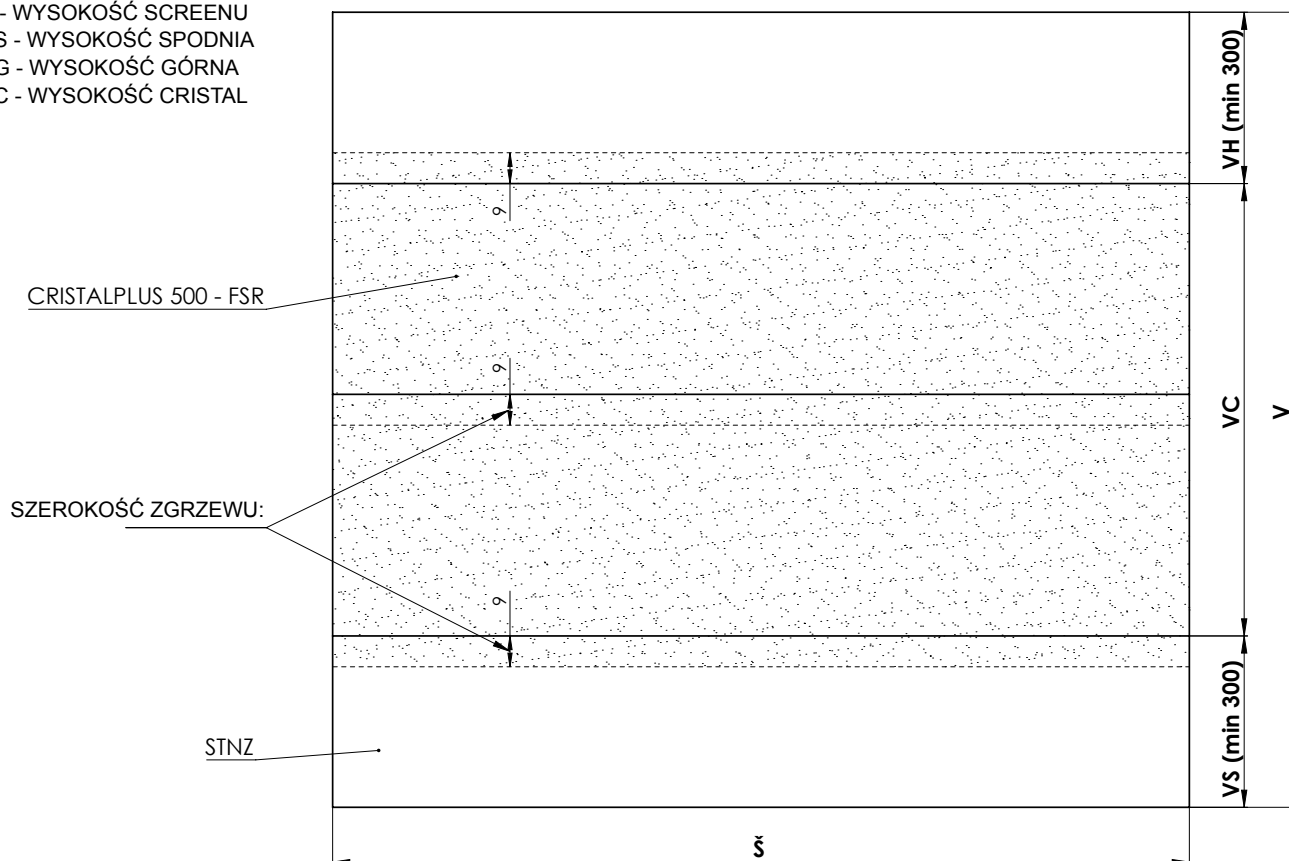
GS40 niewiercona prowadnica
 GS40c wiercony z przodu
 GS40b wiercony z boku

System ZIP



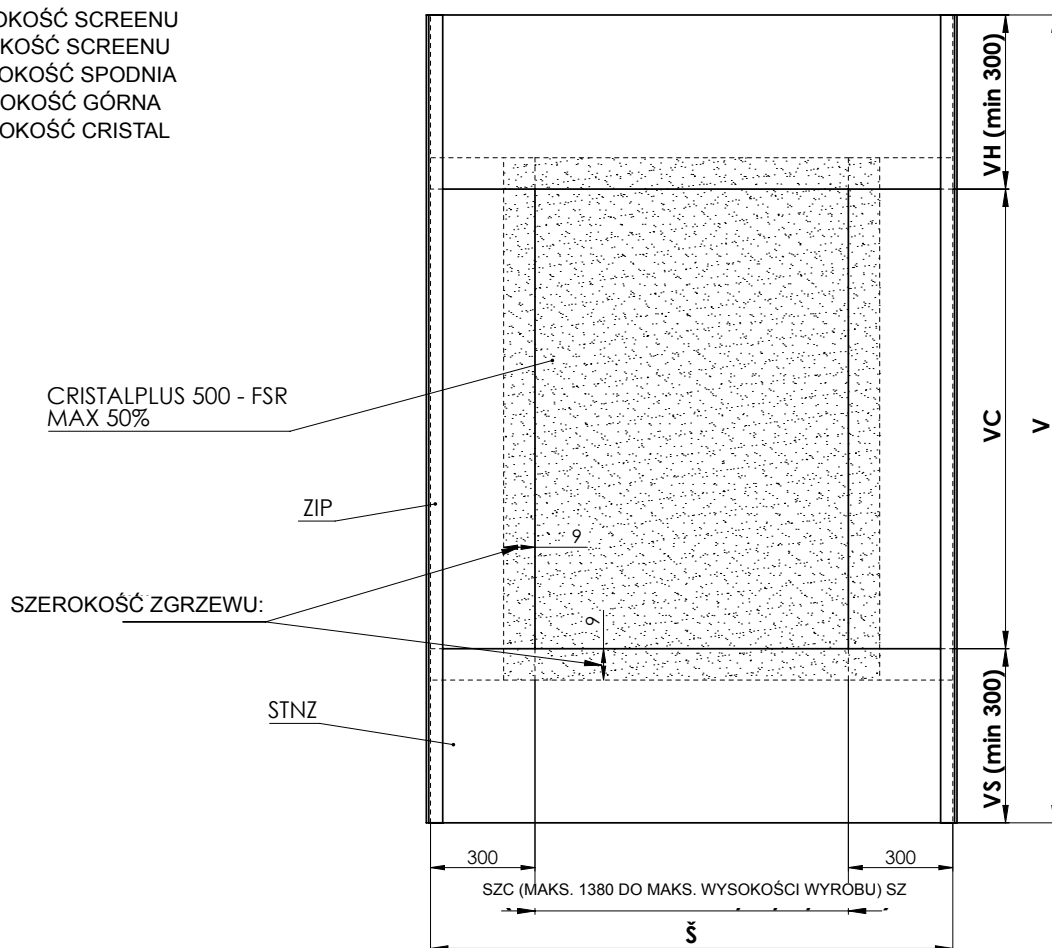
Materiał Cristal jest lamowany pasem materiału STNZ:

- Š - SZEROKOŚĆ SCREENU
- V - WYSOKOŚĆ SCREENU
- VS - WYSOKOŚĆ SPODNIA
- VG - WYSOKOŚĆ GÓRNA
- VC - WYSOKOŚĆ CRISTAL



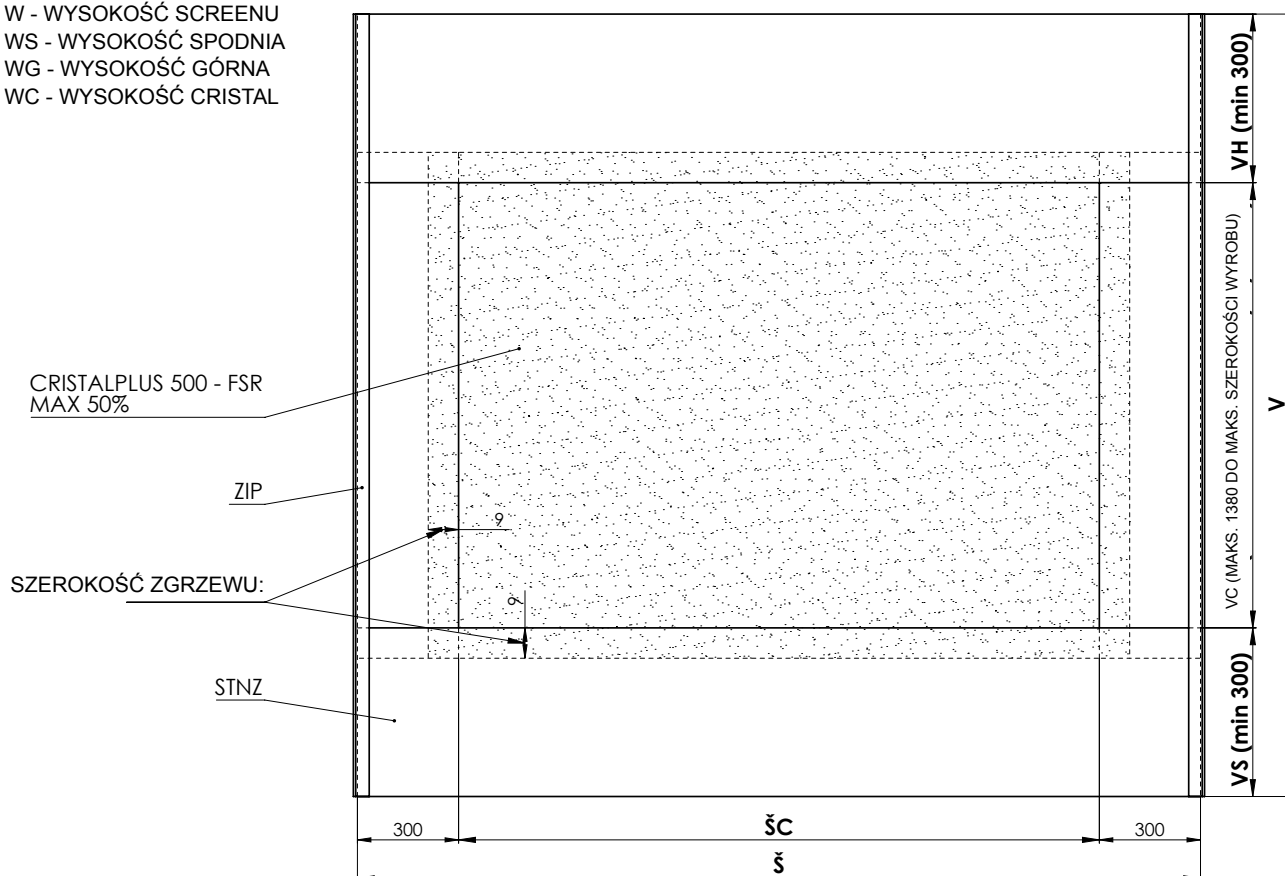
WYKONANIE MATERIAŁU CRISTAL DLA WYROBU GW I LITE

Š - SZEROKOŚĆ SCREENU
 V - WYSOKOŚĆ SCREENU
 VS - WYSOKOŚĆ SPODNIA
 VG - WYSOKOŚĆ GÓRNA
 VC - WYSOKOŚĆ CRISTAL



WYKONANIE MATERIAŁU PIONOWEGO CRISTAL DLA WYROBU SCREEN ZIP I SCREEN ZIP ECONOMY

SZ - SZEROKOŚĆ SCREENU
 W - WYSOKOŚĆ SCREENU
 WS - WYSOKOŚĆ SPODNIA
 WG - WYSOKOŚĆ GÓRNA
 WC - WYSOKOŚĆ CRISTAL



WYKONANIE MATERIAŁU POZIOMEGO CRISTAL DLA WYROBU SCREEN ZIP I SCREEN ZIP ECONOMY

SCREEN ZIP

Instrukcja wymierzenia

Instrukcja wymierzenia

Rolety ekranowe SCREEN ZIP można umieścić zarówno do otworu, jak też przed otwór, z montażem na strop lub na ścianę. Szerokość i wysokość rolety mierzymy w następujący sposób:

Š (szerokość)

a) umocowanie do otworu

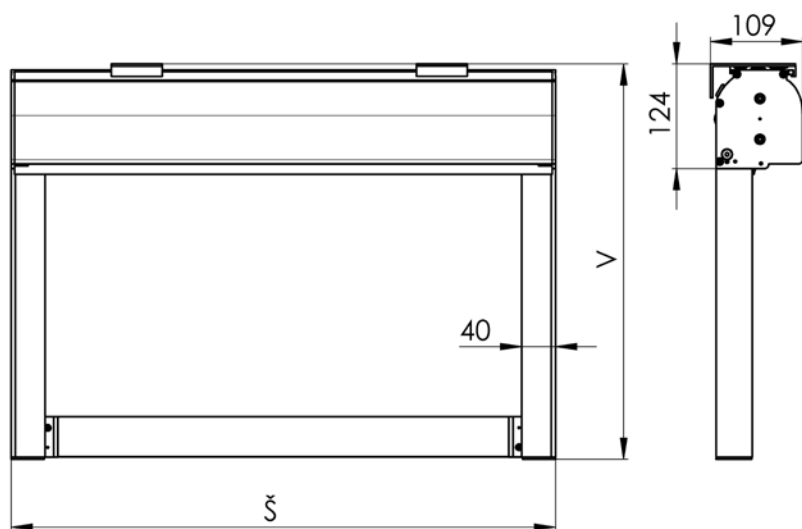
Mierzy się rzeczywistą szerokość otworu w trzech punktach, do formularza zamówieniowego podaje się najmniejszą rzeczywistą zmierzoną wartość.

b) umocowanie na otwór

Do formularza zamówieniowego podaje się zazwyczaj szerokość otworu, który roleta ma zaciemnić + 2 x 40 mm. Wymiary poza podanymi limitami trzeba konsultować z producentem.

V (wysokość)

Mierzy się całkowitą wysokość wraz z profilem górnym i uchwytem rolety.



Wymiary poza podanymi limitami trzeba również konsultować z producentem.

SCREEN ZIP

Montaż

Montaż

Montaż rolet może przeprowadzać wyłącznie wykwalifikowany personel zdolny do należytego dotrzymania podanych poniżej wskazówek z pełnym uwzględnieniem bezpieczeństwa własnego i innych osób.

Główne czynności:

- 1) przygotowanie ścian, stropów okien lub innej konstrukcji do montażu rolet z użyciem przenośnych wiertarek i śrubokrętów;
- 2) montaż rolety na ścianę lub strop;
- 3) podłączenie do doprowadzenia zasilania elektrycznego;
- 4) ustawienie (ograniczników końcowych / łączników krańcowych silnika, itp.) i testowanie rolety.

Przygotowanie montażu rolety

Przed montażem rolety skontrolować, czy powierzchnia miejsca montażowego nadaje się do montażu. Wybrać odpowiednie wkręty mocujące (typ i wymiary) odpowiadające typowi konstrukcji, na której będzie montowana roleta (drewno, beton, cegła, itp.).

Uwaga: Nieprawidłowa instalacja może być przyczyną wypadku. Dotrzymywać zaleceń dotyczących prawidłowego montażu rolety, aby zapobiec ryzyku odpadnięcia rolety od ściany lub okna. Spółka ISOTRA a.s. nie odpowiada za wady spowodowane nieprawidłowym montażem.

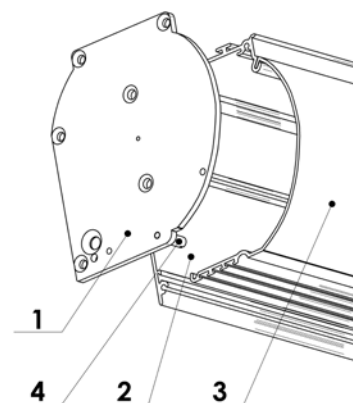
Montaż rolety

Roletę można montować dwoma sposobami:

1. bezpośredni montaż na listwy prowadzące z montażem na strop lub ścianę
2. montaż na strop lub montaż czołowy z pomocą specjalnych konsoli mocujących;

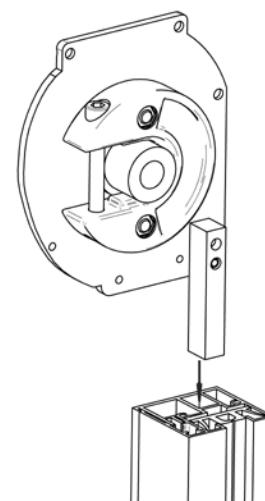
Montaż górnej kasety

Górna kasetka składa się z trzech części: ściany bocznej (1), część stała (2) i część zdejmowana (3). W razie potrzeby wyjęcia wałka nawijającego dostęp do wnętrza górnej kasetki jest możliwy po usunięciu dwóch śrub (4) (jednej na każdej stronie) i zdjęciu zdejmowanej części kasetki.



Bezpośredni montaż na listwę prowadzącą

Wsunąć prostokątny mosiężny czop wystając od spodu ściany bocznej do listwy prowadzącej według rysunku. Nie są potrzebne żadne śruby.



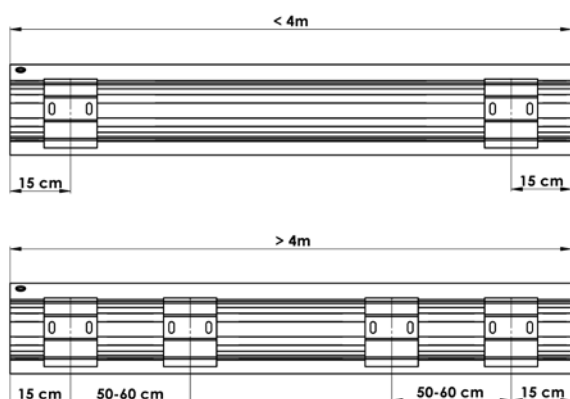
SCREEN ZIP

Montaż na strop

Montaż na strop

Zaznaczyć pozycje otworów, które mają być wiercone i uwzględnić następujące czynniki:

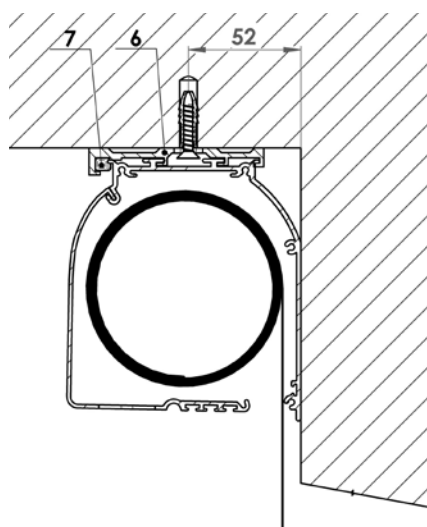
- w przypadku górnych kaset o szerokości do 4,0 m wystarczą dwie konsole, które trzeba zamontować w odległości w przybliżeniu 15–20 cm od każdego końca;
- w przypadku szerszych rolet są potrzebne cztery konsole, zawsze jedna 15–20 cm od każdego końca i druga 50–60 cm od pierwszej;



- o ile to jest możliwe, odległość od ściany zależy od sposobu, w jaki jest zamontowana konsola i pozycji klinów:
 - klin z przodu: **52 mm**
 - klin z tyłu: **100 mm**

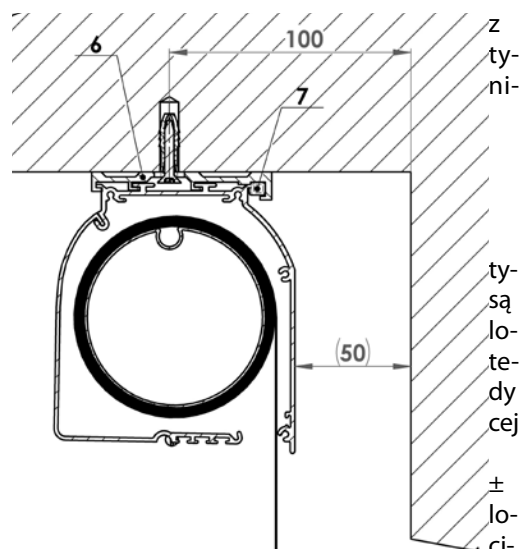
Trzeba pamiętać o następującym:

- montaż konsoli z klinami skierowanymi do pomieszczenia minimalizuje odległość między górną kasetą a tylną ścianą, ale konsola zostaje widoczna i nie wygląda estetycznie;



- montaż konsoli z klinami tyłu jest bardziej estetyczna, ale wymaga miejsca minimalnie 5 cm między tylną ścianą a górną kasetą.

Zamontować konsole (6) z pomocą wkrętów i części odpowiadających powi konstrukcji, na którą montowane (konstrukcja metalowa, rama okna, ściana lub inny materiał). W przypadkach, kiedy użyte trzy lub więcej konsoli, zapewnić, aby konsole były doskonale wyrównane 1mm; można to skontrolować posuwając kasetę wzdłuż wyęć przed dokręceniem śrub mocujących.



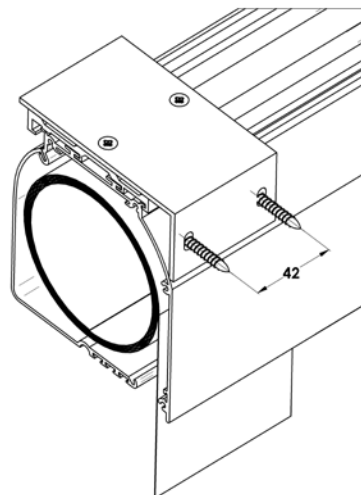
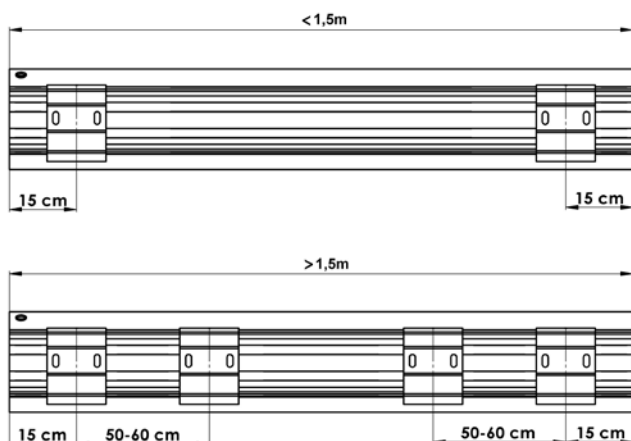
Założyć górną kasetę na konsole i posuwać ją wzdłuż, dopóki nie będzie wycentryowana w ramach skrzydła okna i wcisnąć kliny (7) dla zabezpieczenia kasety na miejscu.

SCREEN ZIP

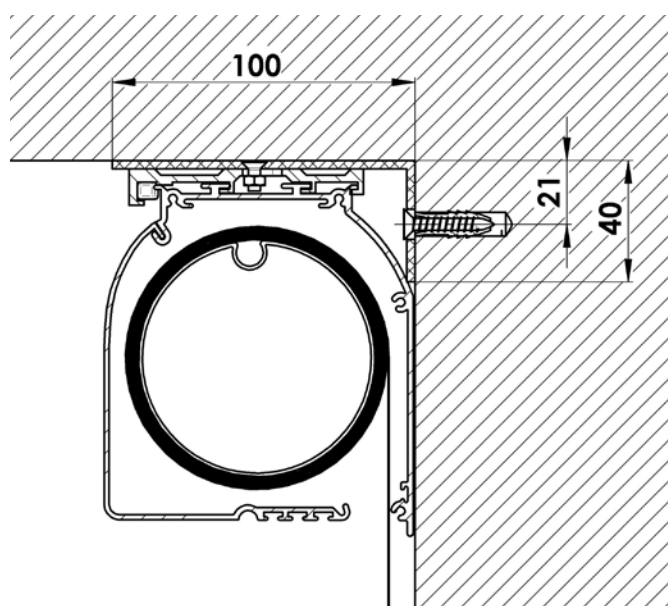
Montaż na ścianę

Montaż na ścianę

Zaznaczyć pozycje konsoli „L” i otworów, które mają być wiercone. W przypadku górnych kaset o szerokości do **1,5 m** wystarczą dwie konsole, które trzeba zamontować w odległości w przybliżeniu 15 -20 cm od każdego końca. W przypadku szerszych rolet są potrzebne cztery konsole, zawsze jedna 15–20 cm od każdego końca i druga 50–60 cm od pierwszej.

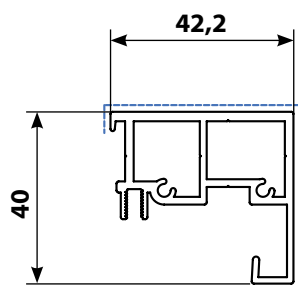


Otworki montażowe muszą być umieszczone minimalnie 21 mm od stropu lub jakiegokolwiek przeszkody sięgającej przez kasetę. Zamontować konsole z pomocą wkrętów i części odpowiadających typowi konstrukcji, na którą są montowane (konstrukcja metalowa, rama okna, ściana lub inny materiał). W przypadkach, kiedy są użyte cztery konsole, zapewnić, aby konsole były doskonale wyrównane ± 1 mm; można to skontrolować posuwając kasetę wzdłuż wycięć przed dokręceniem śrub mocujących. Zamontować kasetę na konsole i posuwać ją wzdłuż nich, dopóki nie będzie wycentryowana w ramach skrzydła okna.

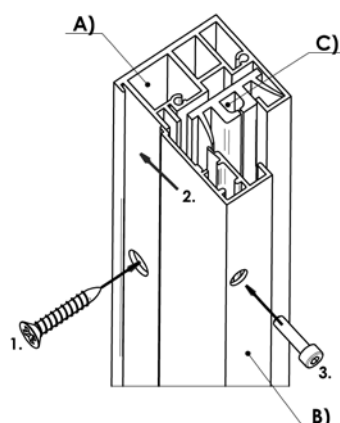


SCREEN ZIP

Montaż listew prowadzących

Montaż listew prowadzących

Prawidłowy sposób montażu listew prowadzących zależy od użytego modelu kasety i od tego, czy kasetka jest montowana na strop, ścianę, czy też jest mocowana bezpośrednio na listwy prowadzące. W ofercie jest tylko jeden model listew prowadzących GS40.

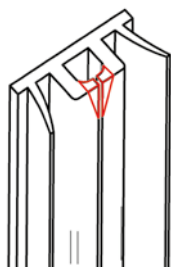


Listwy prowadzące ZIP tworzą trzy części: dwie aluminiowe szyny i plastikowa wewnętrzna szyna, w której porusza się ZIP.

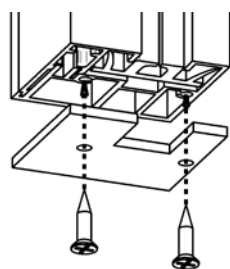
A - aluminiowa listwa prowadząca

B - aluminiowa pokrywa szyny, C - plastikowa szyna prowadząca.

1. Najpierw umocuje się aluminiową listwę prowadzącą A) na ścianie
2. Do niej włoży się plastikową szynę prowadzącą C) i zamknie profil aluminiową pokrywą B)
3. Pokrywę przykręci się z pomocą załączonych śrub imbus do listwy prowadzącej

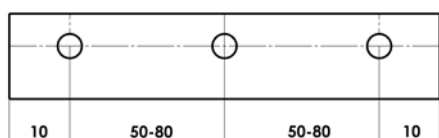


Listwę prowadzącą przycięć tak, aby koniec był doskonale prostopadły. Po przycięciu wewnętrznej plastikowej listwy oba górne końce powinny być ukośne według rysunku, co zapobiega przecieraniu materiału o ostrą krawędź podczas używania.

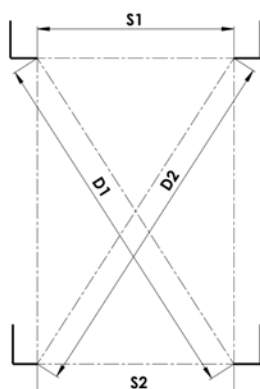
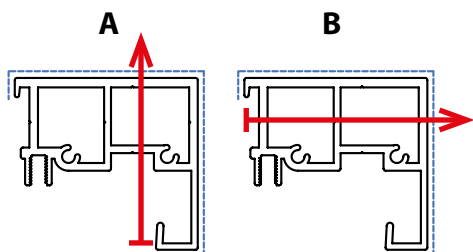


Jeżeli listwy prowadzące nie stoją końcami na parapecie okna lub na podłodze, trzeba użyć końcówek. Przed następnym krokiem montażu umocować końcówki z pomocą dostarczonych śrub.

Montaż listwy prowadzącej GS40



S1



U modelu ZIP je v nabídce pouze jeden model vodičích lišt a to typ GS40. Lišta se dodává s otvory předvrtanými z výroby, dle objednávky, z čela nebo z boku.

Rozmieszczenie otworów jest zawsze:

- skrajne otwory są umieszczone ok. 10cm od końca listwy
- pozostałe otwory są rozmieszczone co 50–80cm równomiernie na całej długości listwy prowadzącej

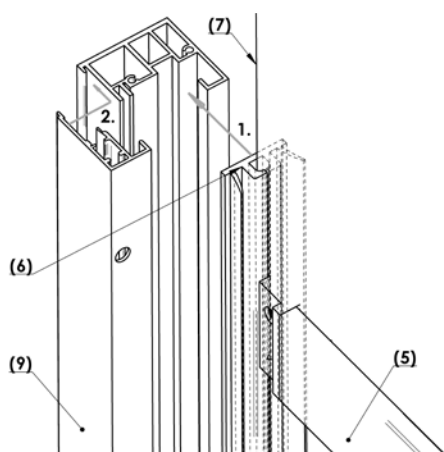
Wyznaczona czerwona linia oznacza oś pionową na śruby montażowe. Należy użyć nawierconych listw prowadzących jako szablonu do przeniesienia pozycji otworów na ścianę skrzydła okna. Przykręcić listwy prowadzące do ściany z pomocą wkrętów i części odpowiadających typowi konstrukcji, do której są montowane (konstrukcja metalowa, beton, mur, itp.).

A - wersja standardowa

B - montaż B podać formą uwagi do FZ

Po dokończeniu montażu skontrolować, czy listwy prowadzące są równoległe i prostopadłe. To można przeprowadzić mierząc dwie odległości „S1” i „S2” lub przekątne „D1” i „D2”. Wymiary muszą być jednakowe $\pm 2\text{mm}$. Prawidłowe umieszczenie listw prowadzących jest niezbędne, w przeciwnym wypadku może być naruszone funkcjonowanie rolety. W przypadku montażu czołowego listwy prowadzącej są dostarczane samoprzylepne nalepki do zakrycia otworów śrub mocujących.

Montaż części plastikowych



Ostrożnie manipulować z roletą i ściągnąć materiał w dół o 20 cm.

Posunąć dolny profil (5) na bok tak, aby materiał wysunął się z jednej strony z bocznego rowka. Następnie nasunąć szynę wewnętrzną (6) na materiał i wcisnąć do niej zip (7).

1. Wcisnąć przednią szynę wewnętrzną do bocznego rowka listwy prowadzącej, która sama się wyrówna. Szyna wewnętrzna leży na ziemi lub na końcówce i nie trzeba jej nijak mocować.
2. Nasadzić pokrywę listwy prowadzącej (9) pod kątem, jej zadaniem jest umocowanie szyny prowadzącej (6) w listwie prowadzącej. Lekko naciskając zatrzaskując ją do prawidłowej pozycji i zabezpieczyć śrubami. Zacząć od góry i powoli postępować w dół po listwie prowadzącej.

SCREEN ZIP

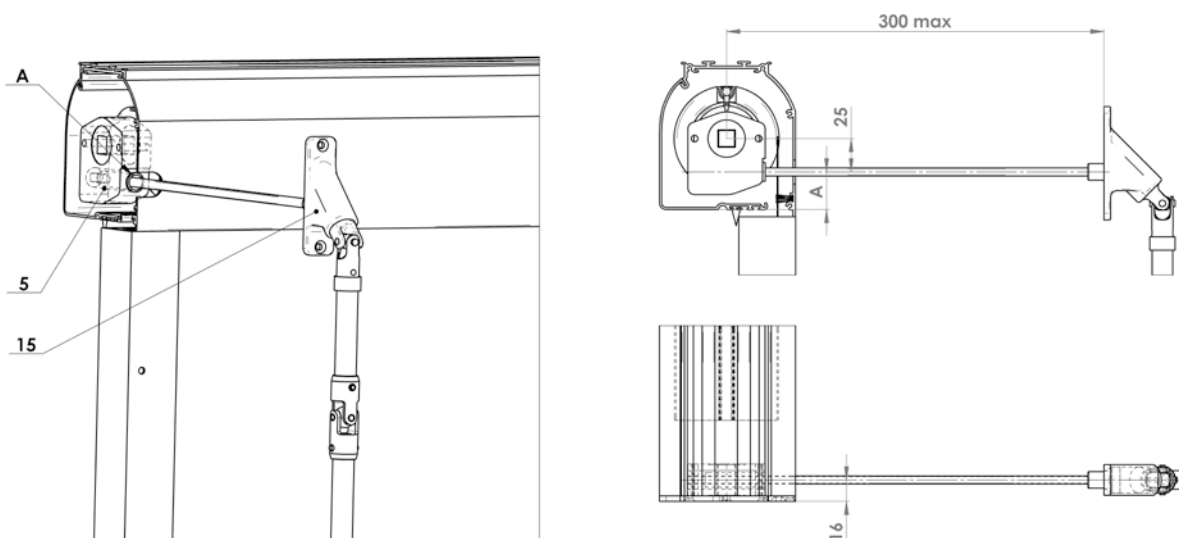
Montaż korbki

Montaż korbki przez ścianę

Korbka – wariant z przepustem (Ks)

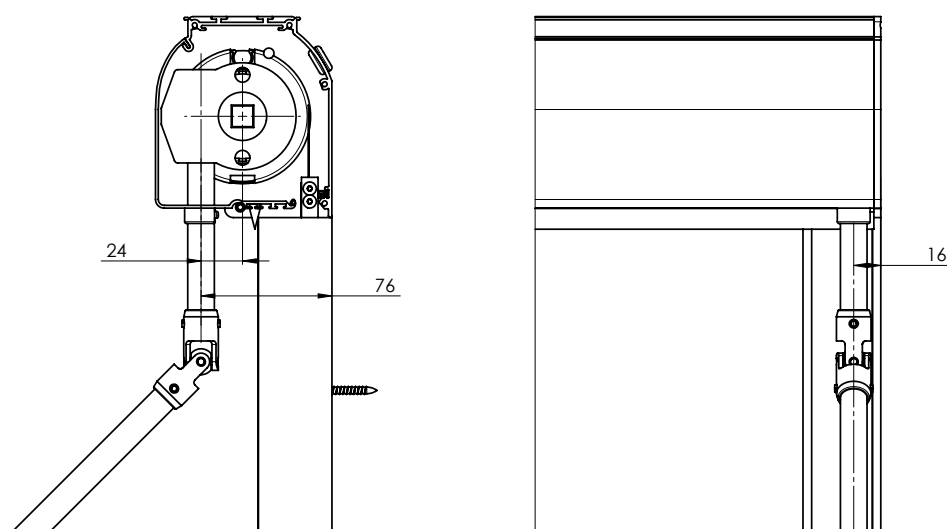
W przypadku rolety zewnętrznej montowanej z przepustem przez ścianę i prętem korbki wewnątrz należy najpierw starannie obliczyć pozycję otworu na pręt sześciokątny o długości 30 cm (15).

- Zamontować konsolę na ścianę lub strop i zainstalować roletę na jej miejsce. Zaznaczyć ołówkiem pozycję dolnego rogu kasety na ścianie lub ramie okna. Wyjąć roletę z konsoli montażowych i zmierzyć odległość od dolnego rogu kasety do środka otworu (A) w tylnej części kasety (służącego do włożenia pręta sześciokątnego do obsługi przekładni). Zaznaczyć taką samą odległość na ścianie wyznaczając środek otworu, który ma być wiercony.
- Ostrożnie wywiercić przez ścianę otwór z pomocą wiertła o średnicy 8 mm. Jest ważne, aby otwór był w miarę jak najdokładniej poziomy.
- Zainstalować z powrotem roletę i od wewnątrz włożyć przez ścianę przepust, aby skontrolować prawidłową pozycję otworu. Następnie uciąć pręt sześciokątny piłką na prawidłową długość. Jego długość zależy od grubości ściany.



Korbka – wariant prosty (K)

Korbka połączona z roletą już w dostawie



SCREEN ZIP ECONOMY

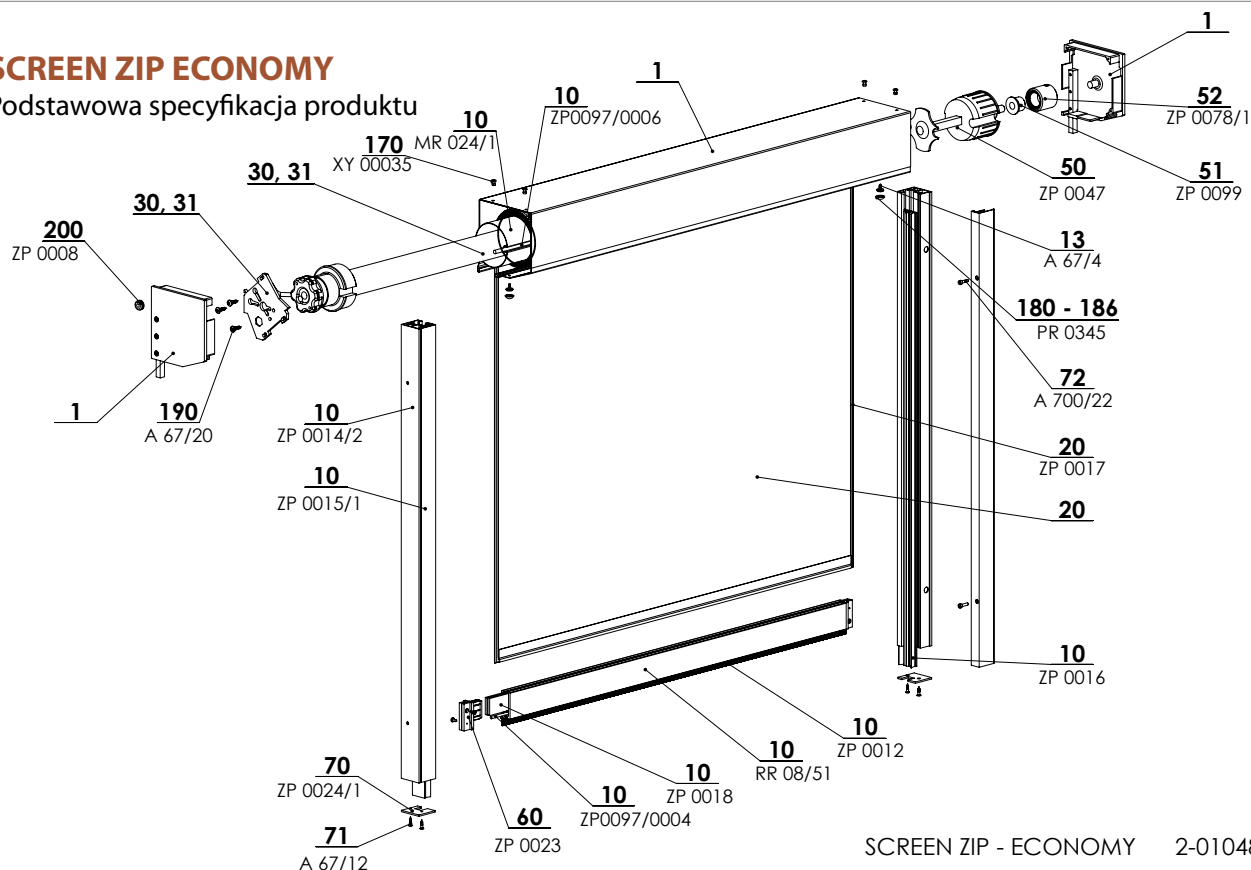


- ▲ Nowoczesny i designowy element wystroju wnętrza i zewnętrznego budynku,
- ▲ minimalne przenikanie światła dzięki absolutnemu napięciu materiału,
- ▲ Klasa odporności na wiatr 3,
- ▲ efekt termoregulacyjny,
- ▲ ochrona przed owadami w zamkniętej pozycji,
- ▲ dostępny cenowo wariant dla modelu SCREEN ZIP
- ▲ napęd elektryczny.

ISOTRA *Quality*

SCREEN ZIP ECONOMY

Podstawowa specyfikacja produktu



SCREEN ZIP - ECONOMY 2-01048-XXXX-C

Obsługa

Służy do spuszczenia i podnoszenia rolety ekranowej.

Silnik - możliwość sterowania z pomocą czujnika słońce / wiatr, ewentualnie pilotem zdalnego sterowania lub wyłącznikiem.

Specyfikacja

	Profil górny		Profil dolny	Boczne prowadzenie listwa prowadząca	Montaż
	Kaseta	wałek nawijający			
Nazwa handlowa	PR0001	MR 024/1	FZ 47	GS40	na ścianę (przed otwór okienny)
Wymiar (mm)	128x129	Ø 78 mm	20x47,4	40x42,2	
Materiał	Al	Fe	Al	Al	
Kolor	Standardowy: RAL 9006 jasno srebrny RAL 9007 ciemno srebrny RAL 9010 biały		RAL 7016 antracytowo szary RAL 7016S antracytowo szara struktura RAL 8014 brązowy pozostałe kolory RAL na życzenie*		

*oprócz części plastikowych.

Nietypowych wariantów nie produkujemy.

Standardowe wymiary

Wersja	Szerokość (mm)		Wysokość (mm)		Gwarantowana powierzchnia (m ²) maks.
	min.	maks.	min.	maks.	
Silnik	800	4000	500	3000	12

Materiały typu Blackout:

Nieprzepuszczalna warstwa przy każdym typie montażu jest umieszczona na stronie okna. W przypadku montażu na zewnątrz silny wiatr może spowodować nieznaczne podnoszenie dolnej listwy i materiału, dlatego nie zawsze można gwarantować 100 % zaciemnienia. W przypadku materiałów Blackout zipy są umocowane na stronie licowej, nie na warstwie przezroczystej, dlatego jest możliwe, że przy silnym wietrze lub patrząc z boku na listwę prowadzącą będzie widać kawałek materiału z taśmy zipu, ale ma to małe znaczenie w porównaniu z widokiem lub szczelnością materiału (ograniczenie fałdowania).

Normalne zjawiska związane z tkaninami technicznymi

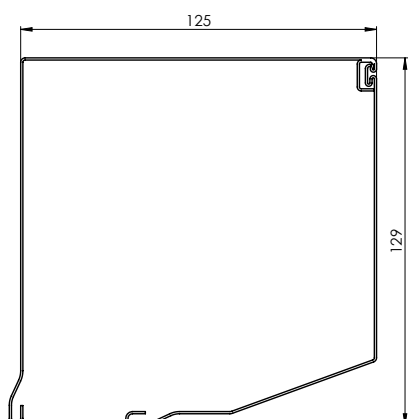
W okolicy zgrzewu lub pośrodku tkaniny może dojść do sfałdowania materiału, tzw. efektu choinkowego. To zjawisko jest normalne, ponieważ podczas używania na materiał działają różne siły. Następnym zjawiskiem mogą być widoczne odciski od walca na materiale. Znikną one przy wyższej temperaturze, kiedy materiał wyrówna się.

Screen ZIP Economy (2-01048-0000)

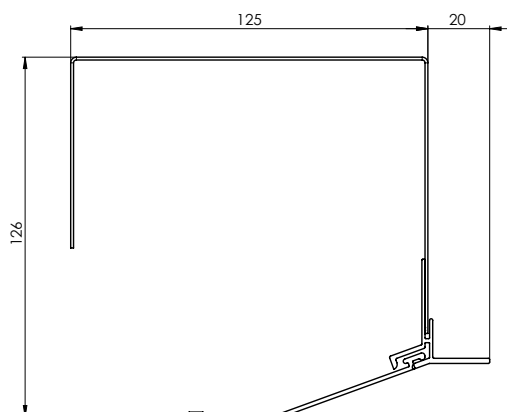
pozycja	nazwa pozycji	Nazwa handlowa	numer rysunku
1	Walcowana kasetka, GOT 125 - bezbarwna	PR0025	6-001699-0000
1	Walcowana kasetka, ścięcie 20°, GUTS 125 - bezbarwna	PR0001	6-001701-0000
1	Ściana boczna-odlew ciśnieniowy, ścięcie 20° BKS 125 -PÁR	PR0059/01	6-001755-0000
1	Listwa podtynkowa PS-V 20°	PR0077	6-001852-0000
1	Ekstrudowana kasetka, ścięcie 20°, RK 125, dolna	PR0049	6-001684-0000
1	Kasetka, górna część, 125 mm, 20°	PR0054	7-302262-0000
1	Czop	PR0647	3-02956-0000
1	Śruba	A700/26	6-003184-0000
10	Wałek nawijający markizy 78mm- 6m	MR 024/1	6-011084-0078
10	Pręt plastikowy 6,0mm PVC	ZP0097/0006	6-016911-0006
10	Listwa dolna Al - FZ 47	RR 08/51	7-302966-0000
10	Obciążnik stalowy 4x30 mm FeZn	ZP0018	6-008715-0000
10	Pręt plastikowy 4,0mm PVC	ZP0097/0004	6-016911-0004
10	Szczotka szer. 4.8 x wys.12mm	ZP0012	6-009148-0000
10	Wkładka ZIP do GS 40	ZP0016	6-008707-0001
10	Listwa prowadząca Al - GS 40	ZP0014/2	7-303770-0000
10	Listwa w zamkn. Al - GS 40	ZP0015/1	7-302972-0000
13	Wkręt 3,5x9,5, DIN 7504 M, Zn, z łbem półk. krzyż.	A 67/4	6-003096-0000
20	Materiał SCREEN		patrz wzornik SCREEN
20	ZIP	ZP0017	6-008709-0000
30	Silniki (SOMFY, BECKER) SCREEN		patrz Obsługa
50	Kołpak wałka śr. 78	ZP0047	6-009210-0078
51	Łożysko kulkowe do ZipTex 28x12	ZP0080	6-012325-0001
52	Adapter	ZP0078/1	2-01315-0000
60	Końcówka listwy dolnej FZ 47 KOMPLET	ZP0023	6-008949-0503
70	Końcówka LP - P/L	ZP0024/1	7-303027-0000
71	Wkręt3,5x16 DIN 7997	A 67/12	6-009093-0000
80	ŚrubaimbusM4x16, DIN 912, 8.8,	A 700/22	6-002280-0000
170	Nit zrywany Al 4x8 DIN 7337 A	XY 00035	6-011342-0000
180	Oslona śruby dwuczęściowa PVC	PR0345	6-002073-0001
190	Wkręt 5x20 Zn z łbem półkulistym krzyżowy	A 67/20	6-003060-0001
200	Przepust kablowy GUMOWY 11/7	ZP0008	6-009196-0000

SCREEN ZIP ECONOMY**Podstawowa specyfikacja techniczna****Kaseta odkryta**

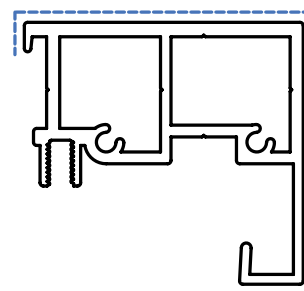
(PR0025 + PR0001)

**Kaseta podtynkowa**

(PR0054 + PR0077 + PR0647)

**Listwa prowadząca GS 40**

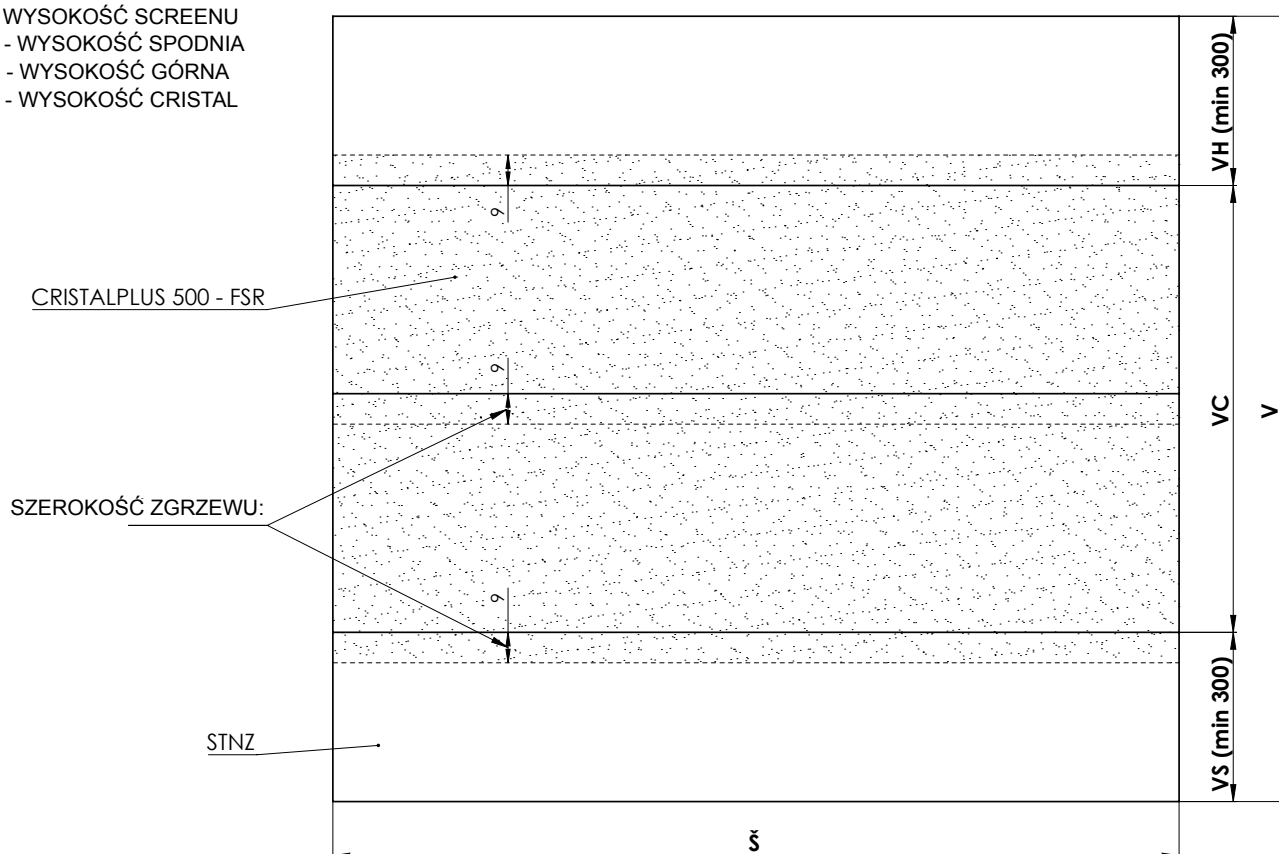
(7-303770-0000)



GS40 niewiercona prowadnica
 GS40c wiercony z przodu
 GS40b wiercony z boku

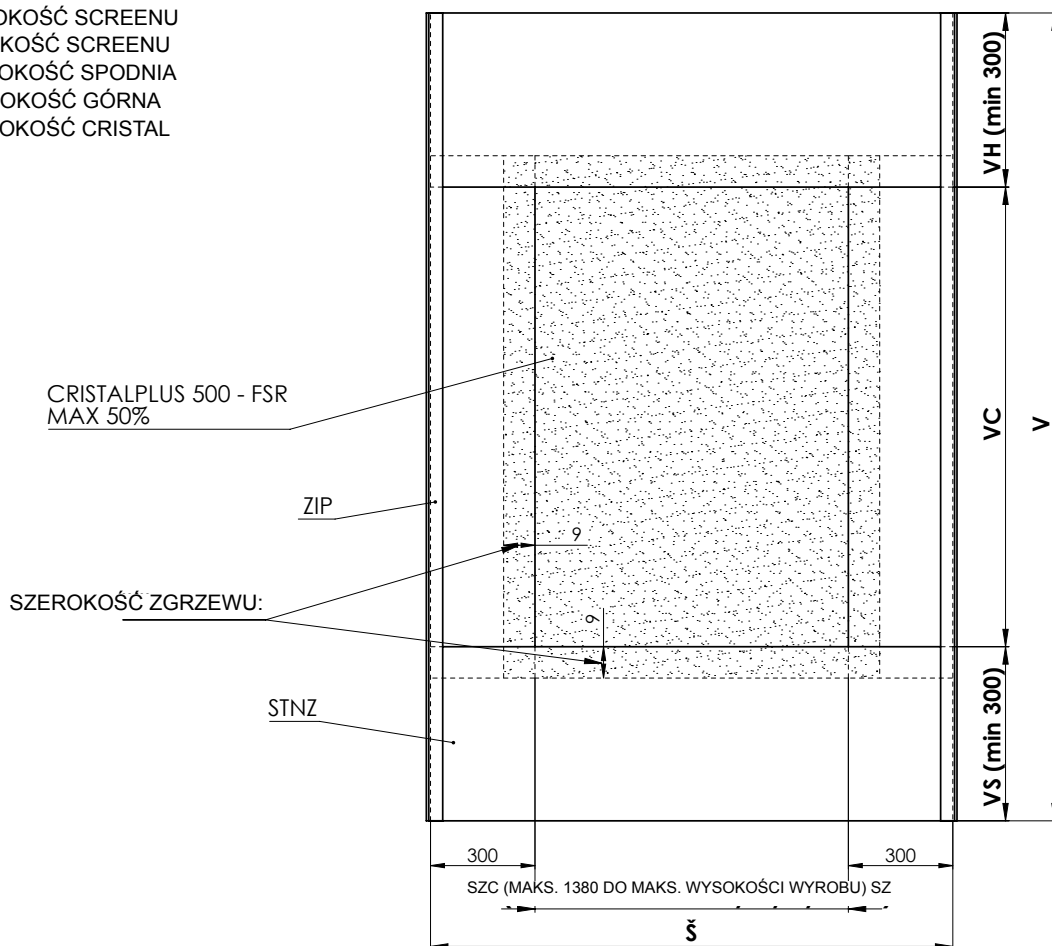
Materiał Cristal jest lamowany pasem materiału STNZ:

Š - SZEROKOŚĆ SCREENU
 V - WYSOKOŚĆ SCREENU
 VS - WYSOKOŚĆ SPODNIA
 VG - WYSOKOŚĆ GÓRNA
 VC - WYSOKOŚĆ CRISTAL



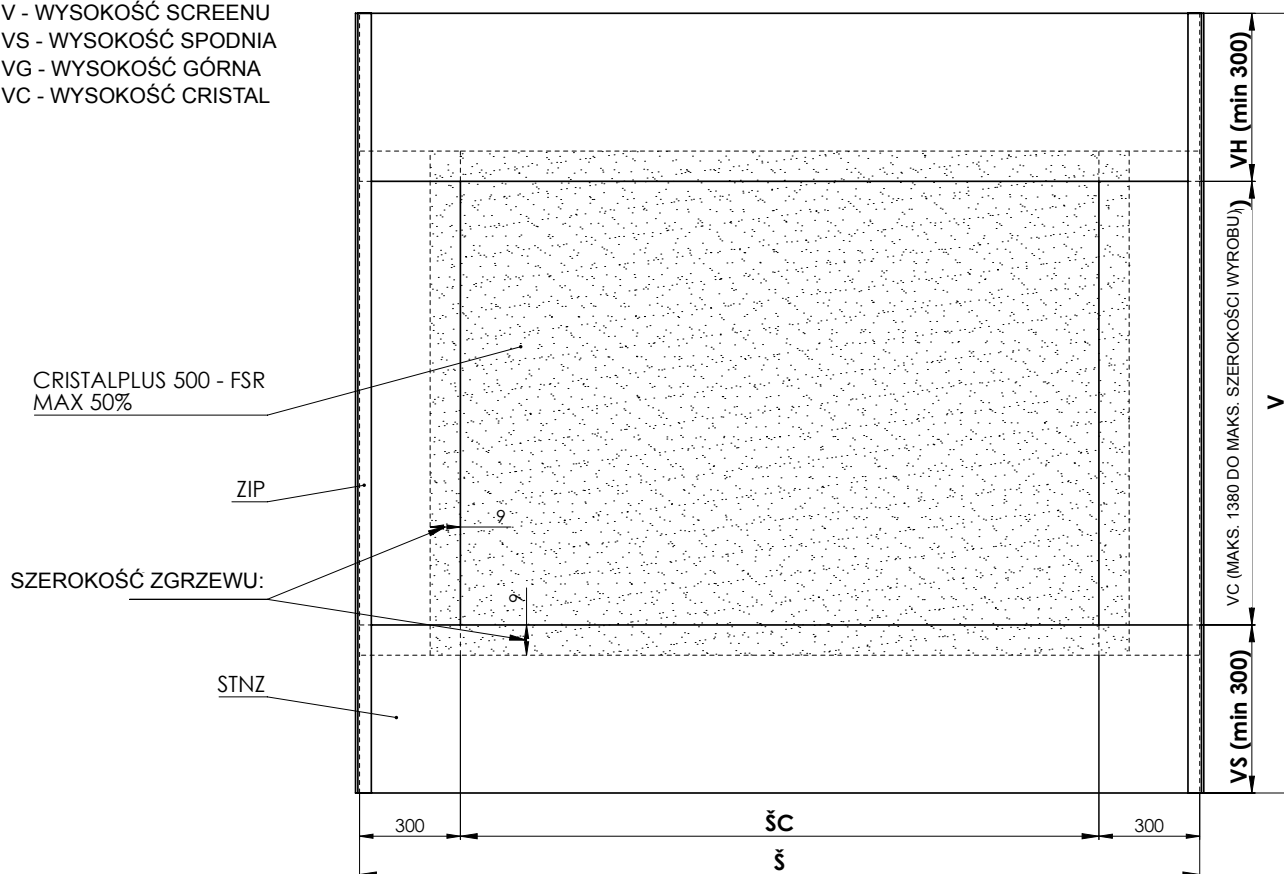
WYKONANIE MATERIAŁU CRISTAL DLA WYROBU GW I LITE

Š - SZEROKOŚĆ SCREENU
 V - WYSOKOŚĆ SCREENU
 VS - WYSOKOŚĆ SPODNIA
 VG - WYSOKOŚĆ GÓRNA
 VC - WYSOKOŚĆ CRISTAL



WYKONANIE MATERIAŁU PIONOWEGO CRISTAL DLA WYROBU SCREEN ZIP I SCREEN ZIP ECONOMY

Š - SZEROKOŚĆ SCREENU
 V - WYSOKOŚĆ SCREENU
 VS - WYSOKOŚĆ SPODNIA
 VG - WYSOKOŚĆ GÓRNA
 VC - WYSOKOŚĆ CRISTAL



WYKONANIE MATERIAŁU POZIOMEGO CRISTAL DLA WYROBU SCREEN ZIP I SCREEN ZIP ECONOMY

SCREEN ZIP ECONOMY

Instrukcja wymierzenia

1. Wymierzenie

Rolety ekranowe SCREEN ZIP ECO można umieścić zarówno do otworu, jak też przed otwór, z montażem lub na ścianę. Szerokość i wysokość rolety mierzymy w następujący sposób:

sz (szerokość)

a) umocowanie do otworu

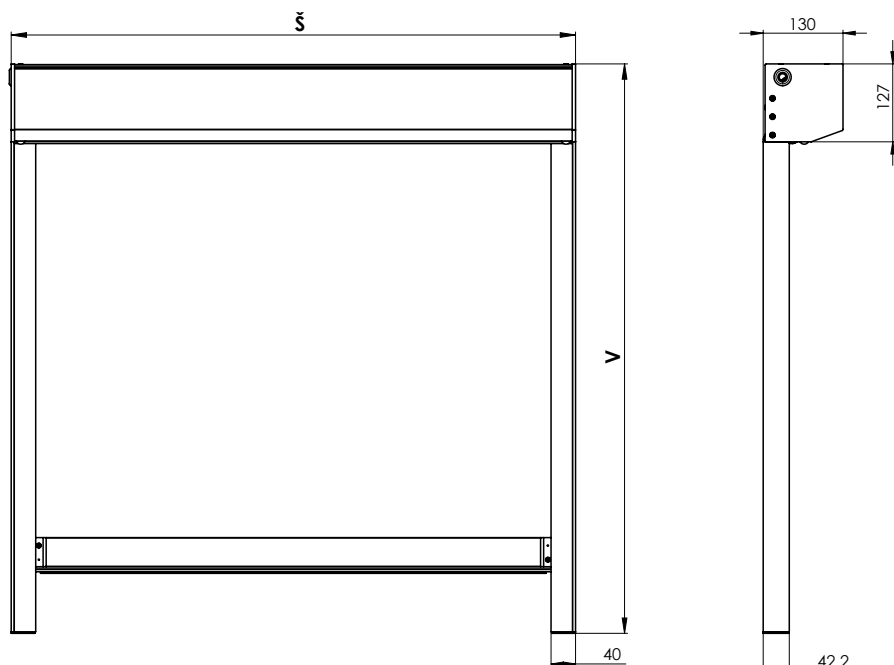
Mierzy się rzeczywistą szerokość otworu w trzech punktach, do formularza zamówieniowego podaje się najmniejszą rzeczywistą zmierzoną wartość.

b) umocowanie na otwór

Do formularza zamówieniowego podaje się zazwyczaj szerokość otworu, który roleta ma zaciemnić + 2 x 40 mm. Wymiary poza podanymi limitami trzeba konsultować z producentem.

w (wysokość)

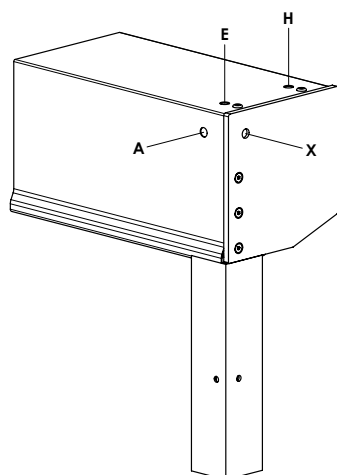
Mierzy się całkowitą wysokość wraz z profilem górnym i uchwytem rolety.



Wymiary poza podanymi limitami trzeba również konsultować z producentem.

Możliwość wyboru umieszczenia kabla

Na lewo, wyprowadzenie A
 Na lewo, wyprowadzenie E
 Na lewo, wyprowadzenie H
 Na lewo, wyprowadzenie X (Std)



na prawo, wyprowadzenie A
 na prawo, wyprowadzenie E
 na prawo, wyprowadzenie H
 na prawo, wyprowadzenie X(Std)

SCREEN ZIP ECONOMY

Montaż

Montaż rolet może przeprowadzać wyłącznie wykwalifikowany personel zdolny do należytego dotrzymania podanych poniżej wskazówek z pełnym uwzględnieniem bezpieczeństwa własnego i innych osób.

Główne czynności:

- 1) przygotowanie ścian, stropów okien lub innej konstrukcji do montażu rolet z użyciem przenośnych wiertarek i śrubokrętów;
- 2) montaż rolety na ścianę;
- 3) podłączenie do doprowadzenia zasilania elektrycznego;
- 4) ustawienie (ograniczników końcowych / łączników krańcowych silnika, itp.) i testowanie rolety.

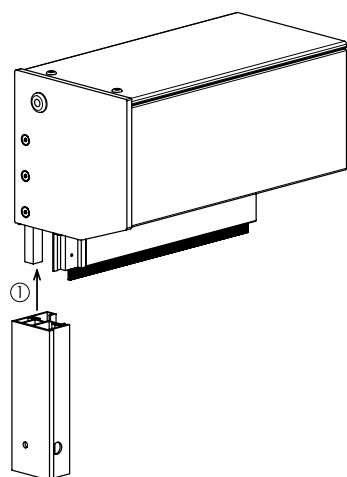
MONTAŻ ROLETY

Bezpośredni montaż listew prowadzących na ścianę.

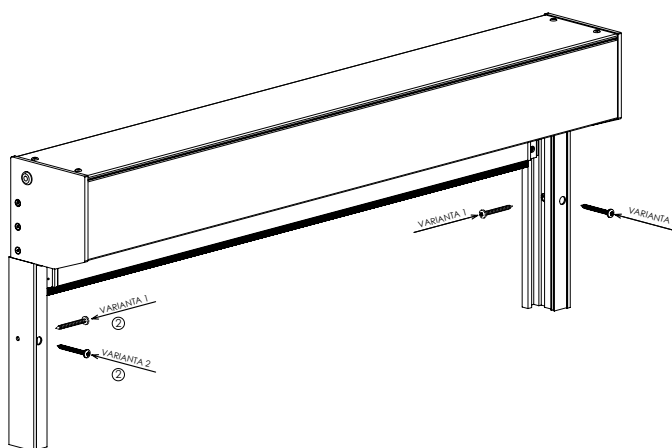
MONTAŻ KASETY I ŁLISTWY PROWADZĄCEJ

Nasunąć listwę prowadzącą na trzpień ściany bocznej. Nie są potrzebne żadne śruby. Podczas nasadzania nawlec do rowka prowadzącego zip.

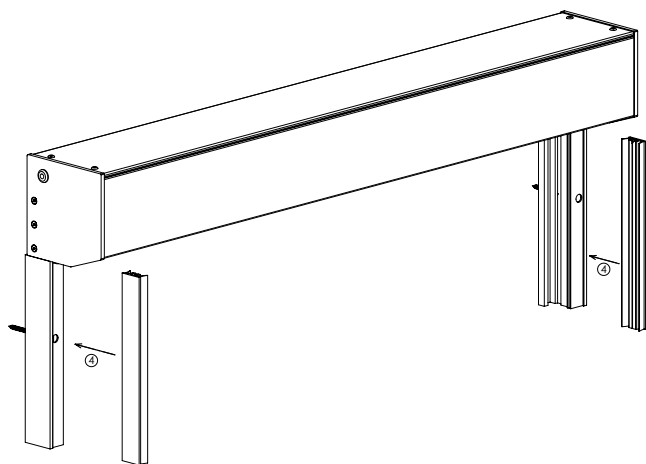
Połączyć listwy prowadzące z kasetą



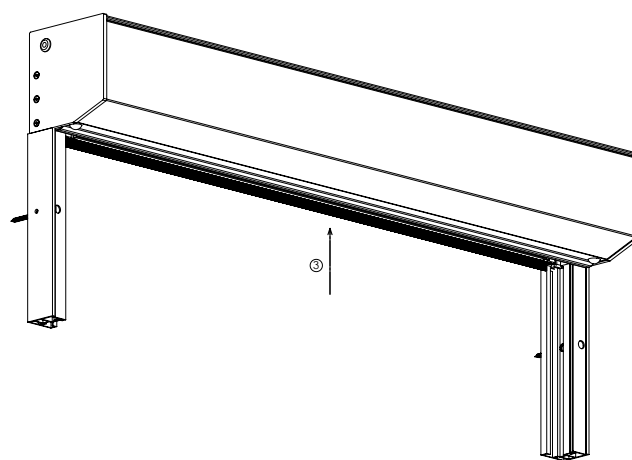
Umieścić roletę na miejsce i przykręcić



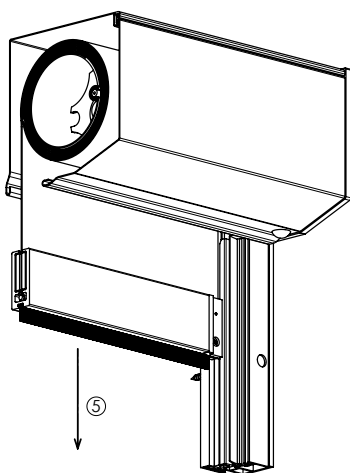
Nawinąć materiał jak najwyżej



Założyć plastikowe szyny prowadzące



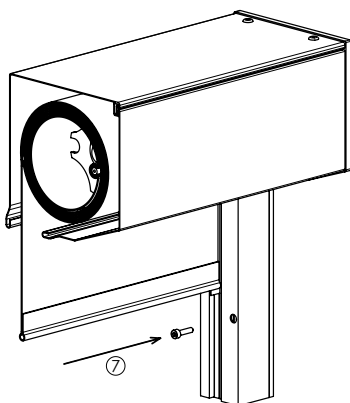
Naprowadzić materiał do szyn



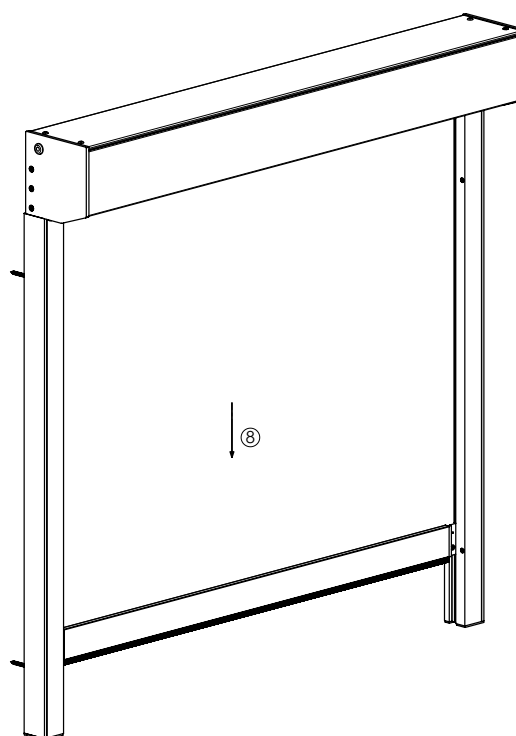
Założyć pokrywę listwy prowadzącej



Zabezpieczyć listwę kryjącą śrubą



Skontrolować działanie



SCREEN GW

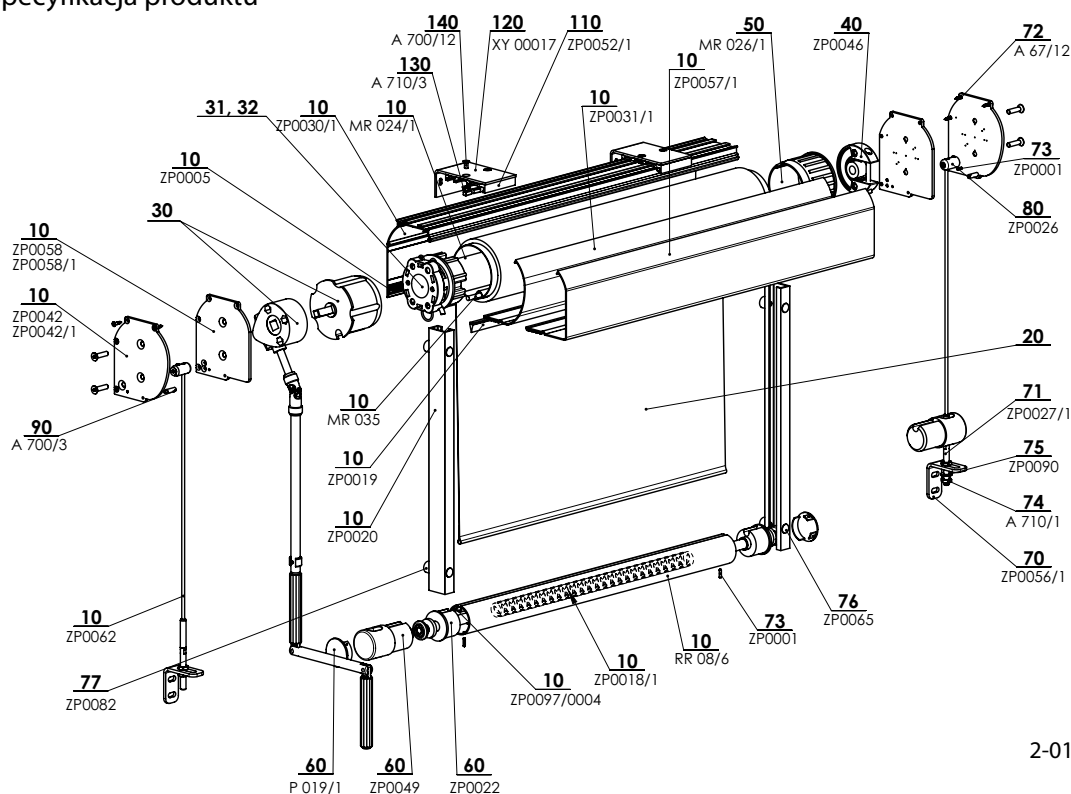


- ▲ Prosty, nowoczesny i stylowy wygląd,
- ▲ zaciemnienie powierzchni wewnętrznych i zewnętrznych,
- ▲ boczne prowadzenie linką lub listwą,
- ▲ możliwość napędu elektrycznego,
- ▲ kolory konstrukcji według wzornika RAL,
- ▲ Klasa odporności na wiatr 3.

ISOTRA *Quality*

SCREEN GW

Podstawowa specyfikacja produktu



2-01396-0000-A

Obsługa

Służy do spuszczenia i podnoszenia rolety ekranowej.

Korbka - przeciągnięcie prętowego mechanizmu do obsługi do wnętrza przeprowadza się pod kątem między 45° i 90° z pomocą przepustu i pręta sześciokątnego. (Kolor: biały / anodowany)

Silnik - możliwość sterowania z pomocą czujnika słońce / wiatr, ewentualnie pilotem zdalnego sterowania lub wyłącznikiem.

Specyfikacja

	Profil górny			Dolny profil	Boczne prowadzenie		Montaż
	trubka	Kaseta	Kaseta		listwa prowadząca	linka	
Nazwa handlowa	MR 024/1	CT 105	C 105	FD 42	GC 20	ZP0062	do stropu (do otworu okiennego) na ścianę (przed otwór okienny)
Wymiar (mm)	Ø 78 mm	104,5x116,5	103x116,5	Ø 42 mm	33x19 mm	Ø 4 mm	
Materiał	Fe	Al	Al	Al	Al	Fe	
Kolor	szary	Standardowy: RAL 9006 jasno srebrny RAL 9007 ciemno srebrny RAL 9010 biały		RAL 7016 antracytowo szary RAL 7016S antracytowo szara struktura RAL 8014 brązowy pozostałe kolory RAL na życzenie*		szary	

*oprócz części plastikowych, maksymalna szerokość 4000 mm

Nietypowych wariantów nie produkujemy.

Standardowe wymiary

Wersja	Szerokość (mm)		Wysokość (mm)		Gwarantowana powierzchnia (m ²)
	min.	maks.	min.	maks.	maks.
Korbka	500	4000	500	3800	15,2
Silnik	800	4500	500	3800	18

Normalne zjawiska związane z tkaninami technicznymi

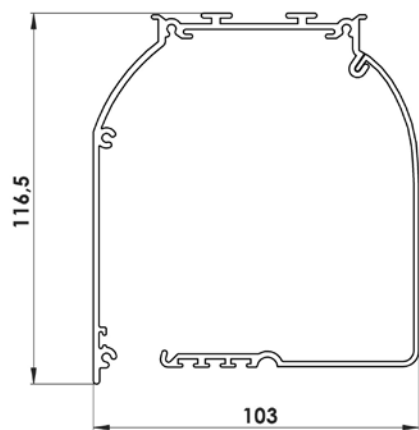
W okolicy zgrzewu lub pośrodku tkaniny może dojść do sfałdowania materiału, tzw. efektu choinkowego. To zjawisko jest normalne, ponieważ podczas używania na materiał działają różne siły. Następnym zjawiskiem mogą być widoczne odciski od walca na materiale. Znikną one przy wyższej temperaturze, kiedy materiał wyrówna się.

Screen GW (2-00849-0020)

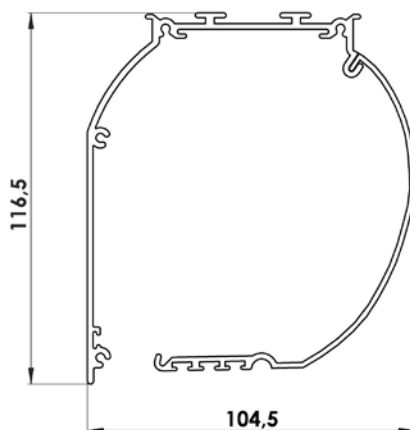
pozycja	nazwa pozycji	Nazwa handlowa	numer rysunku
10	Listwa dolna Al - FD 42 surowy	RR 08/6	6-009147-0000
10	Obciążnik screen okrągły (cynk ogniowy)	ZP0018/1	3 02880-PU27
10	Szczotka szer. 4.8 x wys. 7 mm czarny	ZP0005	6-009219-0000
10	Pręt plastikowy 4,0 mm PVC	ZP0097/0004	6-016911-0004
10	Pokrywa Al. - CT105 górna, stała, surowa	ZP0030/1	7-302968-0000
10	Pokrywa Al. - CT105 dolna, rewizyjna, okrągła, surowa	ZP0031/1	7-302969-0000
10	Pokrywa Al. - CT105 dolna, rewizyjna, prostokątna, surowa	ZP0057/1	7-302971-0000
10	Wieko boczne anod., CZ105 okrągłe, surowe - para	ZP0042	6-009194-0002
10	Wieko cozne okrągłe - para	ZP0042/1	2-01007-0000
10	Wieko boczne anod., CZ105 prostokątne, surowe - para	ZP0058	6-011456-0000
10	Wieko boczne prostokątne - para	ZP0058/1	2-01008-0000
10	Uszczelka PVC 5,5 x 12 mm	ZP0019	6-008716-0000
10	Walek nawijający markizy śr. 78 mm - 6 m	MR 024/1	6-011084-0078
10	Pręt plastikowy 6,0mm PVC	ZP0097/0006	6-016911-0006
10	Linka stalowa 4mm	ZP0062	6-011492-0000
10	Listwa prowadząca GC20 surowa	ZP0020	6-008727-0000
20	Materiał screen		patrz wzornik SCREEN
30	Silniki (SOMFY, BECKER) screen		patrz Obsługa
31,32	Silniki (SOMFY, BECKER) screen < 800 + wzory		patrz Obsługa
40	Uchwyt Al z tuleją komplet do silnika	ZP0046	6-009209-0000
50	Kołpak wałka śr. 78mm z czopem	MR 026/1	6-011086-0078
60	Końcówka listwy dolnej FD 42 (VL) czarna	ZP0022	6-008736-0030
60	Końcówka screen czarna	ZP0049	3-02208-9004
60	Pokrywa listwy prowadzącej śr. 40	P 019/1	3-01849-9006
70	Kątownik linki napinającej - stal nierdzewna, nielakierowana	ZP0056/1	3-02431-0000
71	Śruba napinająca	ZP0027/1	3-02430-0000
72	Wkręt 3,5x16 DIN 7997	A 67/12	6-009093-0000
73	Kołek sprężynowy 3x12 DIN 7346	ZP0001	6-009807-0000
74	Nakrętka niska M8 nierdzewna DIN 439B A2	A 710/1	6-010705-0000
75	Podkładka M8, DIN 125-A1, A2	ZP0090	6-009997-0002
76	Ośłona samoprzylepna 606-172-13 srebrna RAL9006	ZP0065	6-011520-0000
77	Podkładka montażowa - prof. prow. GC20	ZP0082	7-302422-0000
80	Napinacz linki - Z105 dla pokrywy górnej	ZP0026	6-009056-0000
90	Śruba zabezpieczająca pokrywy M4	A 700/3	7-303030-0000
110	Profil - uchwyt stały do Screen	ZP0052/1	3 03058-PU11
120	Kątownik Fe gięty 100/40	XY 00017	3 02233-PU22
130	Nakrętka M5 DIN 6923 z kołnierzem zębatym	A 710/3	6-011882-0000
140	Śruba M5x10 Zn DIN 965-H	A 700/12	6-003186-0000

SCREEN GW

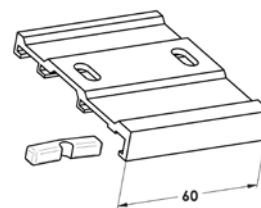
Profil górny C 105



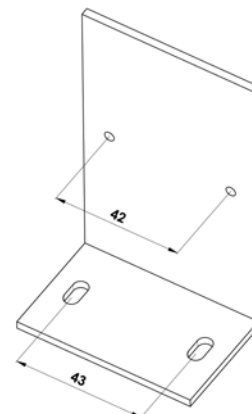
Profil górny CT 105



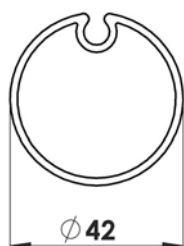
Uchwyt profilu górnego
(6-009232)



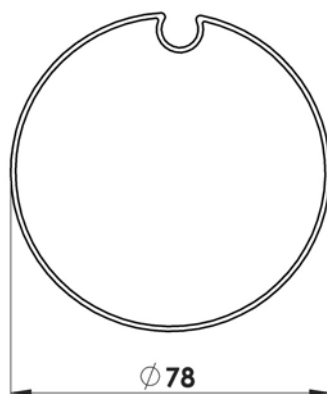
Konsola L
(7-302233)



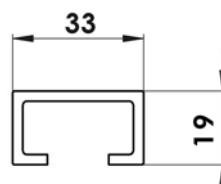
Profil dolny FD 42
(RR 08/6, 6-009147)



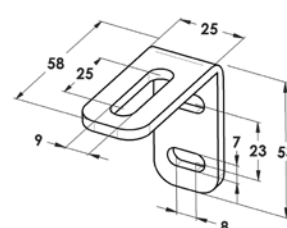
Walek nawijający
(6-011084)



Listwa prowadząca
GC 20
(6-008727)



Uchwyt linki stalowej
(302431)



Warianty prowadzenia bocznego



SCREEN GW

Instrukcja wymierzenia

Instrukcja wymierzenia

Rolety ekranowe SCREEN GW można umieścić zarówno do otworu, jak też przed otwór, z montażem na strop lub na ścianę. Szerokość i wysokość rolety ekranowej mierzymy w następujący sposób:

sz (szerokość)

a) umocowanie do otworu

Mierzy się rzeczywistą szerokość otworu w trzech punktach, do formularza zamówieniowego podaje się najmniejszą rzeczywistą zmierzoną wartość.

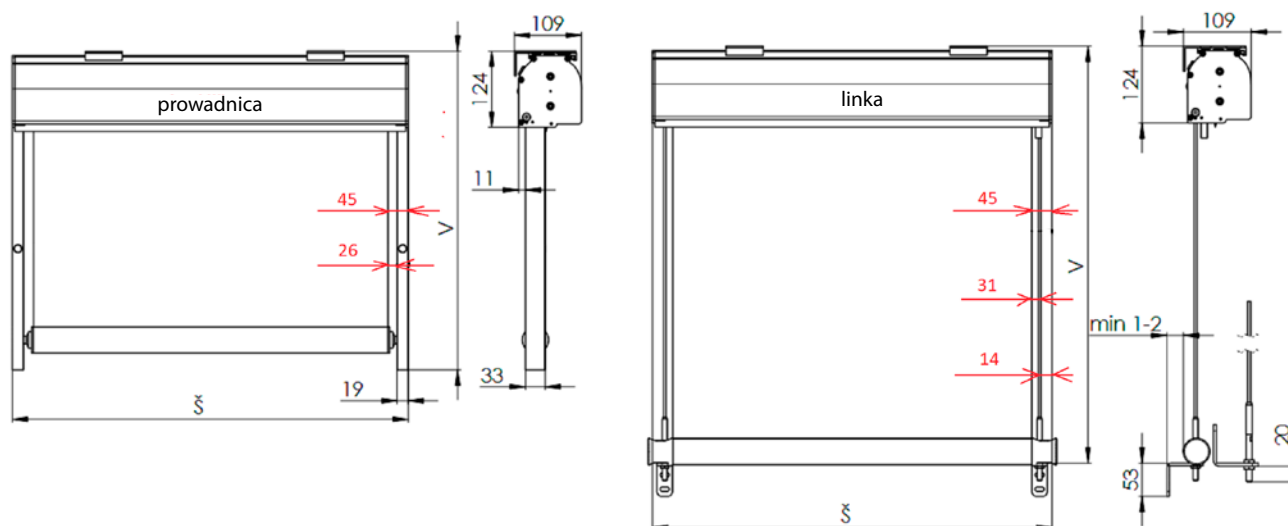
b) umocowanie na otwór

Do formularza zamówieniowego podaje się zazwyczaj szerokość otworu, który roleta ma zaciemnić. Wymiary poza podanymi limitami trzeba konsultować z producentem.

w (wysokość)

Mierzy się całkowitą wysokość wraz z profilem górnym i uchwytem rolety.

Screen GW – odstęp między prowadnicą a tkaniną – dotyczy silnika i korby



Wymiary poza podanymi limitami trzeba również konsultować z producentem.

SCREEN GW

Montaż

Montaż

Montaż rolet może przeprowadzać wyłącznie wykwalifikowany personel zdolny do należytego dotrzymania podanych poniżej wskazówek z pełnym uwzględnieniem bezpieczeństwa własnego i innych osób.

Główne czynności:

- 1) przygotowanie ścian, stropów okien lub innej konstrukcji do montażu rolet z użyciem przenośnych wiertarek i śrubokrętów;
- 2) montaż rolety na ścianę lub strop;
- 3) podłączenie do doprowadzenia zasilania elektrycznego;
- 4) ustawienie (ograniczników końcowych / łączników krańcowych silnika, itp.) i testowanie rolety.

Przygotowanie montażu rolety

Przed montażem rolety skontrolować, czy powierzchnia miejsca montażowego nadaje się do montażu. Wybrać odpowiednie wkręty mocujące (typ i wymiary) odpowiadające typowi konstrukcji, na której będzie montowana roleta (drewno, beton, cegła, itp.).

Uwaga: Nieprawidłowa instalacja może być przyczyną wypadku. Dotrzymywać zaleceń dotyczących prawidłowego montażu rolety, aby zapobiec ryzyku odpadnięcia rolety od ściany lub okna. Spółka ISOTRA a.s. nie odpowiada za wady spowodowane nieprawidłowym montażem.

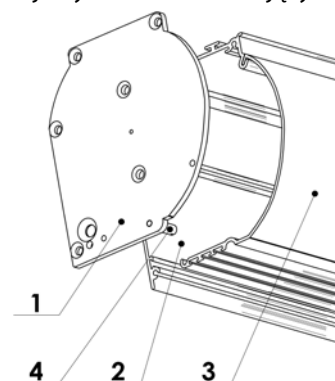
Montaż rolety

Sposób montażu zależy od typu rolety:

- a) Stała kasetę z linkami: najpierw zamontować kasetę na ścianę lub strop a następnie naciągnąć i umocować linki.
- b) Stała kasetę z listwą prowadzącą GC20: najpierw zamontować kasetę na ścianę lub strop a następnie umocować listwy prowadzące. Kasetę z roletą można montować na strop lub montaż czołowy z pomocą specjalnych konsoli mocujących.

Montaż górnej kasety

Górna kasetę składa się z trzech części: ściany boczne (1), część stała (2) i część zdejmowana (3). W razie potrzeby wyjęcia wałka nawijającego dostęp do wnętrza górnej kasety jest możliwy po usunięciu dwóch śrub (4) - jednej na każdej stronie i zdjęciu zdejmowanej części kasety.



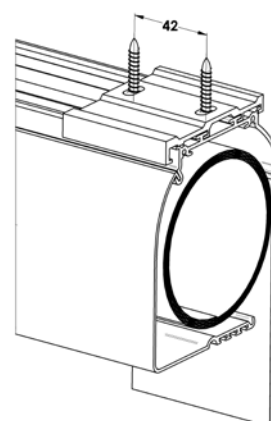
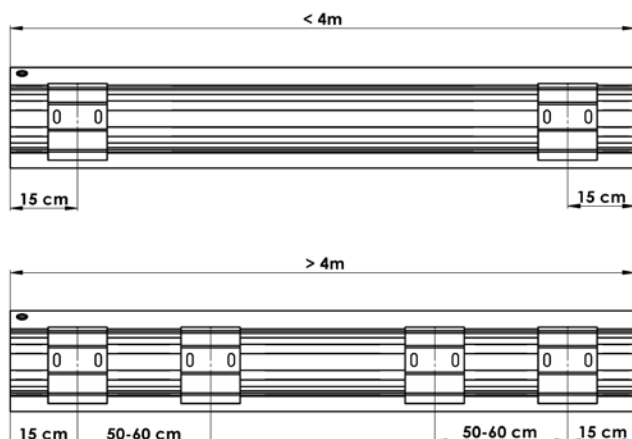
SCREEN GW

Montaż na strop

Montaż na strop

Vyznačte pozici otvorů, které se mají vyvrtat, a zohledněte následující faktory:

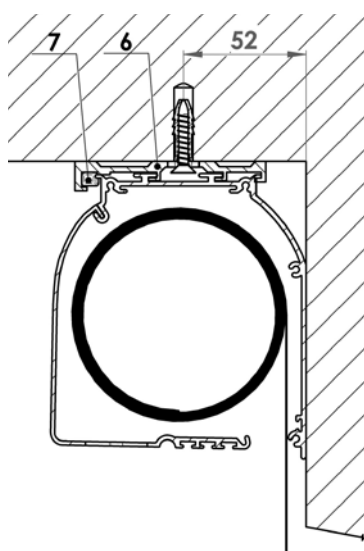
- w przypadku górnych kaset o szerokości do 4,0 m wystarczą dwie konsole(6), które trzeba zamontować w odległości w przybliżeniu 15- 20 cm od każdego końca.
- w przypadku szerszych rolet są potrzebne cztery konsoly, zawsze jedna 15–20 cm od każdego końca i druga 20–60 cm od pierwszej.



- o ile to jest możliwe, odległość od ściany zależy od sposobu, w jaki jest zamontowana konsola i pozycji klinów (7):
 - klin z przodu: **52 mm**
 - klin z tyłu: **100 mm**

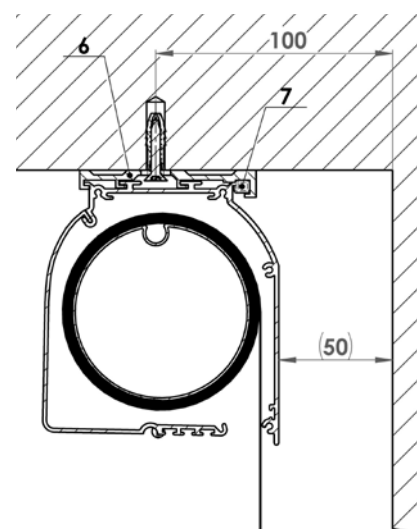
Trzeba pamiętać o następującym:

- montaż konsoli ze śrubami mocującymi / klinami skierowanymi do pomieszczenia minimalizuje odległość między górną kasetą i tylną ścianą, ale konsola zostaje widoczna i nie wygląda estetycznie;



- montaż konsoli ze śrubami mocującymi / klinami z tyłu jest bardziej estetyczna, ale wymaga miejsca minimalnie 5 cm między tylną ścianą i górną kasetą.

Zamontować konsoly (6) z pomocą wkrętów i części odpowiadających typowi konstrukcji, na którą są montowane (konstrukcja metalowa, rama okna, ściana lub inny materiał). W przypadkach, kiedy są użyte cztery konsoly, zapewnić, aby konsoly były doskonale wyrównane ± 1 mm; można to skontrolować posuwając kasetę wzdłuż wycięć przed dokręceniem śrub mocujących.



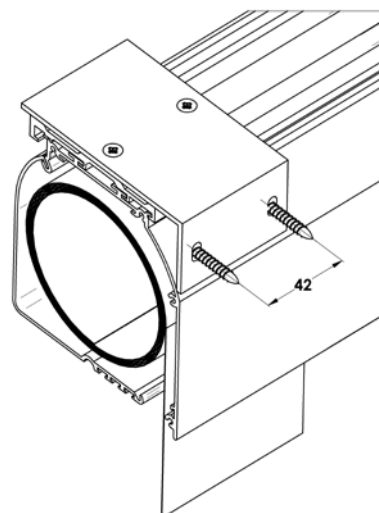
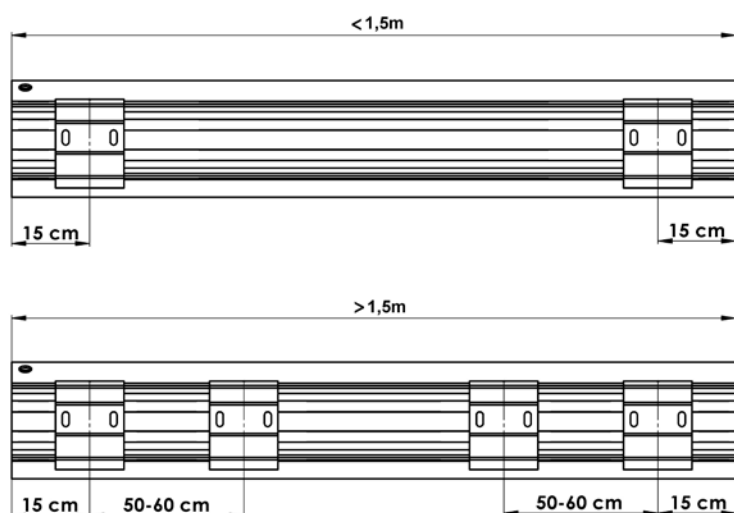
Założyć górną kasetę na konsoly (6) i posuwać ją wzdłuż, dopóki nie będzie wycentrowana w ramach skrzydła okna i wcisnąć kliny(7) dla zabezpieczenia kasety na miejscu.

SCREEN GW

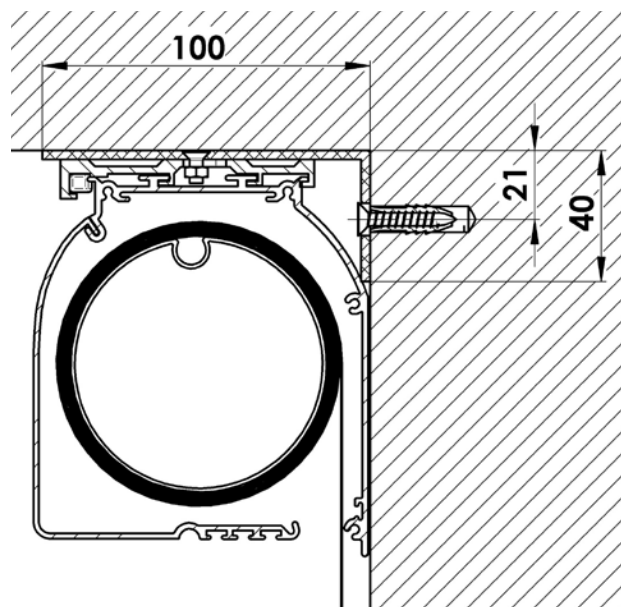
Montaż na ścianę

Montaż na ścianę

Zaznaczyć pozycje konsoli „L” i otworów, które mają być wiercone. W przypadku górnych kaset o szerokości do **1,5 m** wystarczą dwie konsole, które trzeba zamontować w odległości w przybliżeniu 15 -20 cm od każdego końca. W przypadku szerszych rolet są potrzebne cztery konsole, zawsze jedna 15–20 cm od każdego końca i druga 50–60 cm od pierwszej.



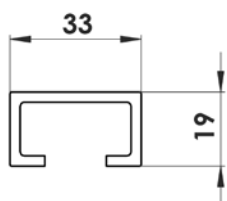
Zamontować konsole z pomocą wkrętów i części odpowiadających typowi konstrukcji, na którą są montowane (konstrukcja metalowa, rama okna, ściana lub inny materiał). W przypadkach, kiedy są użyte cztery konsole, zapewnić, aby konsole były doskonale wyrównane ± 1 mm; można to skontrolować posuwając kasetę wzdłuż wycięć przed dokręceniem śrub mocujących. Założyć kasetę na konsole- i posuwać ją wzdłuż, dopóki nie będzie wycelowana w ramach skrzydła okna i wcisnąć kliny dla zabezpieczenia kasety na miejscu.



SCREEN GW

Montaż listew prowadzących

Montaż listew

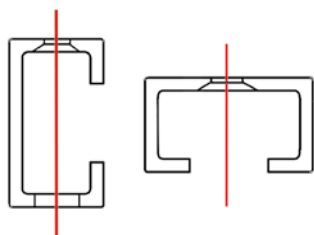


Najpierw zamontować kasetę na strop / ścianę, następnie zamontować listwy prowadzące. Dla modelu GW w ofercie jest tylko jeden model listew prowadzących GC20.

Listwa jest dostarczana z otworami nawierconymi fabrycznie według zamówienia od czoła lub z boku.

Rozmieszczenie otworów jest zawsze:

- skrajne otwory są umieszczone ok. 10 cm od końca listwy
- pozostałe otwory są rozmieszczone co 50–80 cm równomiernie na całej długości listwy prowadzącej

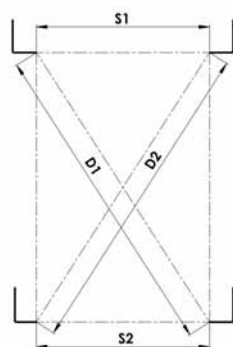


Wyznaczona czerwona linia oznacza oś pionową na śruby montażowe. Należy użyć nawierconych listew prowadzących jako szablonu do przeniesienia pozycji otworów na ścianę skrzydła okna.

Przykręcić listwy prowadzące do ściany z pomocą wkrętów i części odpowiadających typowi konstrukcji, do której są montowane (konstrukcja metalowa, beton, mur, itp.).

Po dokończeniu montażu skontrolować, czy listwy prowadzące są równoległe i prostopadłe. To można zrobić mierząc dwie odległości „S1” i „S2” lub przekątne „D1” i „D2”. Wymiary muszą być jednakowe ± 2 mm. Prawidłowe umieszczenie listew prowadzących jest niezbędne, w przeciwnym wypadku może być naruszone funkcjonowanie rolety.

W przypadku montażu czołowego listwy prowadzącej są dostarczane samoprzylepne nalepki do zakrycia otworów śrub mocujących.

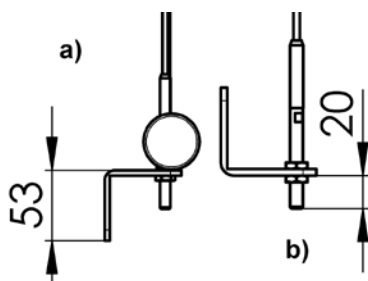


SCREEN GW

Montaż linek

Montaż linek

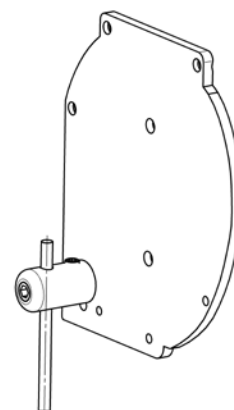
Linki stalowe o $\varnothing 4$ mm są dostarczane przycięte na odpowiednią długość z naprasowaną końcówką gwintową. Dokładna konfiguracja linek może być różna w zależności od konkretnego projektu. Po zamontowaniu górnej kasety przewlec linkę przez wałek mocujący na ścianę boczną i zabezpieczyć śrubką.



Dolne konsole mogą być montowane bocznie lub czołowo, przy tym profil „L” może być skierowany w dół (a) lub w górę (b).

Uwaga: Wyboru miejsca do montażu konsoli trzeba dokonać jeszcze przed zamówieniem rolet, ponieważ ta pozycja określa długość linki.

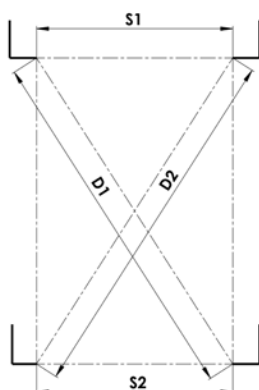
Jeżeli konsole są montowane skierowane w górę (b), należy zostawić co najmniej 20 mm między konsolą i podłogą lub parapetem okna.



Przykręcić konsole do ściany z pomocą wkrętów i części odpowiadających typowi konstrukcji, do której są montowane (konstrukcja metalowa, beton, mur, itp.). W razie potrzeby zwiększyć wysięg konsoli od ściany z pomocą podkładek. Linkę zawsze napinać i trzymać ją, aby nie skręciła się.

UWAGA

Skontrolować, czy cztery punkty mocowania linek są równoległe i prostopadłe. To można przeprowadzić mierząc dwie odległości „S1” i „S2” lub przekątne „D1” i „D2”. Wymiary muszą być jednakowe ± 1 mm.



SCREEN GW

Montaż korbki

Montaż korbki przez ścianę

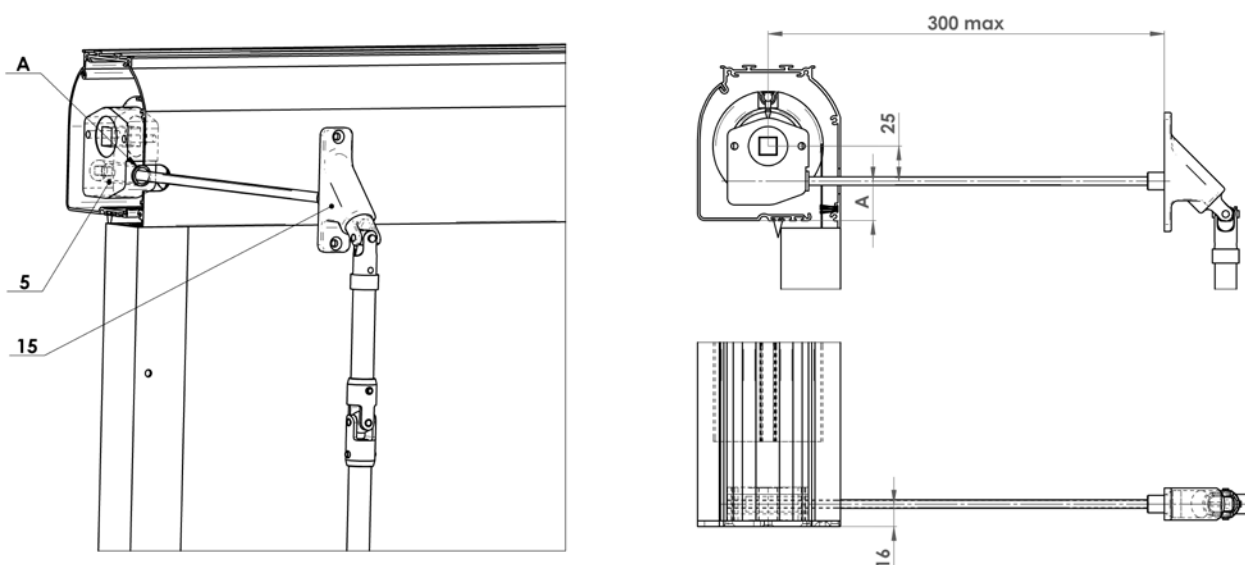
Korbka – wariant z przepustem (Ks)

W przypadku rolety zewnętrznej montowanej z przepustem przez ścianę i prętem korbki wewnątrz należy najpierw starannie obliczyć pozycję otworu na pręt sześciokątny o długości 30 cm (15).

Zamontować konsole na ścianę lub strop i zainstalować roletę na jej miejsce. Zaznaczyć ołówkiem pozycję dolnego rogu kasety na ścianie lub ramie okna. Wyjąć roletę z konsoli montażowych i zmierzyć odległość od dolnego rogu kasety do środka otworu (A) w tylnej części kasety (służącego do włożenia pręta sześciokątnego do obsługi przekładni). Zaznaczyć taką samą odległość na ścianie wyznaczając środek otworu, który ma być wiercony.

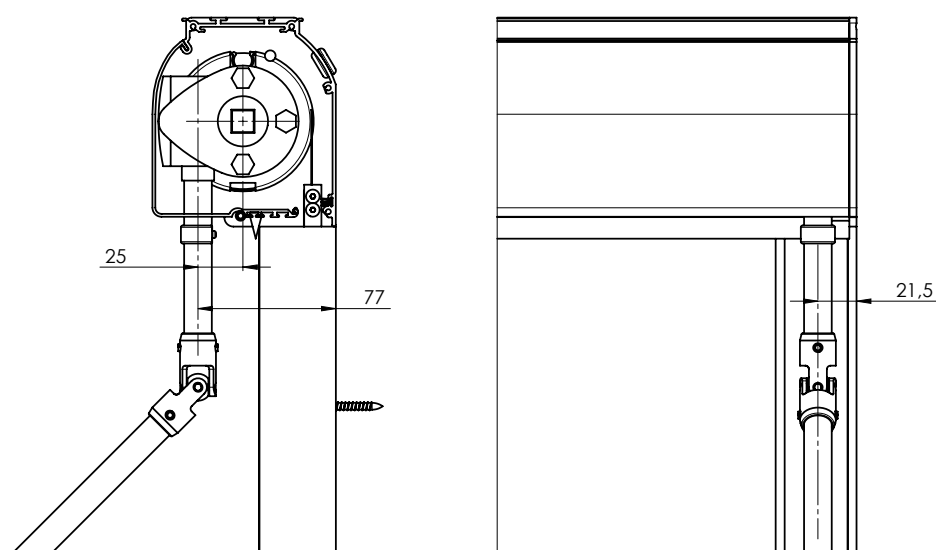
Ostrożnie wywiercić przez ścianę otwór z pomocą wiertła o średnicy 8 mm. Jest ważne, aby otwór był w miarę jak najdokładniej poziomy.

Zainstalować z powrotem roletę i od wewnątrz włożyć przez ścianę przepust, aby skontrolować prawidłową pozycję otworu. Następnie uciąć pręt sześciokątny piłką na prawidłową długość. Jego długość zależy od grubości ściany.



Korbka – wariant prosty (K)

Korbka połączona z roletą już w dostawie



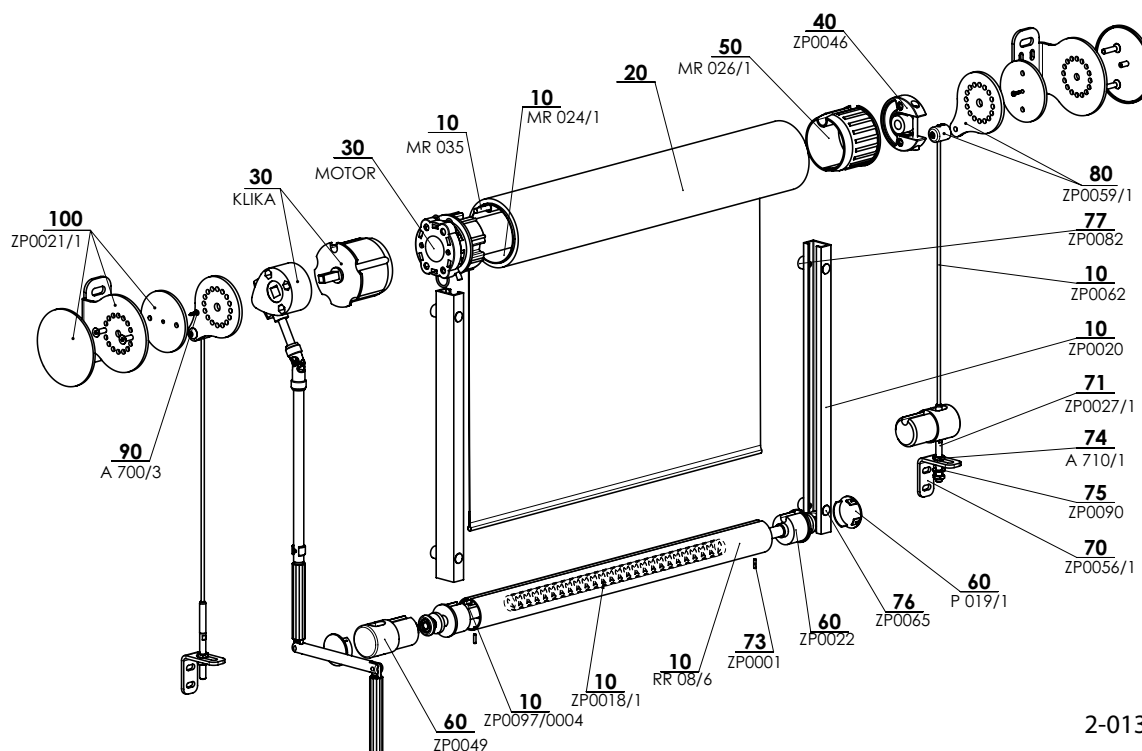


- ▲ Lekki wariant bez profilu kryjącego,
- ▲ dostępna cenowo alternatywa dla modeli SCREEN ZIP i SCREEN GW,
- ▲ zaciemnienie powierzchni wewnętrznych i zewnętrznych,
- ▲ boczne prowadzenie linką lub listwą,
- ▲ możliwość napędu elektrycznego,
- ▲ Klasa odporności na wiatr 3.

ISOTRA *Quality*

SCREEN LITE

Podstawowa specyfikacja produktu



2-01395-0000-A




Obsługa

Służy do spuszczenia i podnoszenia rolety ekranowej.

Korbka - przeciągnięcie prętowego mechanizmu do obsługi do wnętrza przeprowadza się pod kątem między 45° i 90° z pomocą przepustu i pręta sześciokątnego. (Kolor: biały / anodowany)

Silnik - możliwość sterowania z pomocą czujnika słońce / wiatr, ewentualnie pilotem zdalnego sterowania lub wyłącznikiem.

Specyfikacja

	Rura	Dolny profil	Boczne prowadzenie		Montaż
			listwa prowadząca	linka	
Nazwa handlowa	MR 024/1	FD 42	GC20	ZP0062	do stropu (do otworu okiennego) na ścianę (przed otwór okienny)
Wymiar (mm)	Ø 78 mm	Ø 42 mm	33x19 mm	Ø 4 mm	
Materiał	Fe	Al	Al	Fe	
					
Kolor	szary	Standardowy: RAL 9006 jasno srebrny RAL 9007 ciemno srebrny RAL 9010 biały RAL 7016 antracytowo szary	RAL 7016S antracytowo szara struktura RAL 8014 brązowy pozostałe kolory RAL na życzenie*	Szary	

*oprócz części plastikowych, maksymalnej Szerokość 4000 mm

Nietypowych wariantów nie produkujemy.

Standardowe wymiary

Wersja	Szerokość (mm)		Wysokość (mm)		Gwarantowana powierzchnia (m ²) maks.
	min.	maks.	min.	maks.	
Korbka	500	4000	500	3800	15,2
Silnik	800	4500	500	4000	18

Normalne zjawiska związane z tkaninami technicznymi

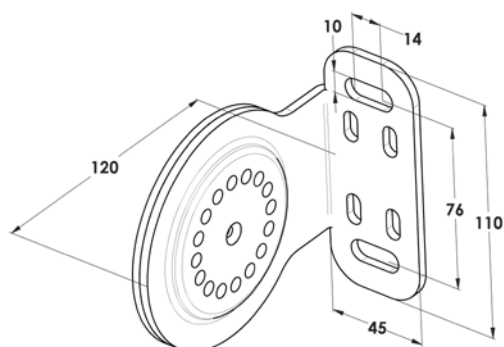
W okolicy zgrzewu lub pośrodku tkaniny może dojść do sfaldowania materiału, tzw. efektu choinkowego. To zjawisko jest normalne, ponieważ podczas używania na materiał działają różne siły. Następnym zjawiskiem mogą być widoczne odciski od walca na materiale. Znikną one przy wyższej temperaturze, kiedy materiał wyrówna się.

SCREEN LITE (2-01395-0000)

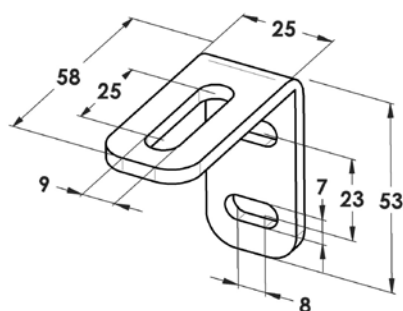
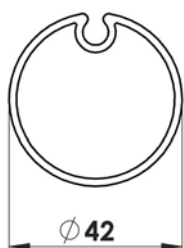
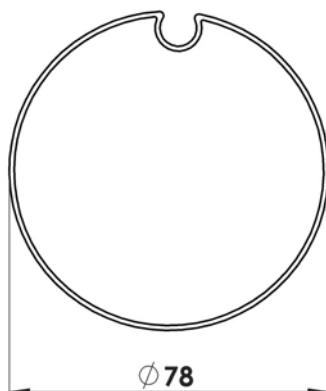
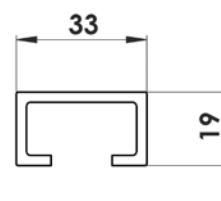
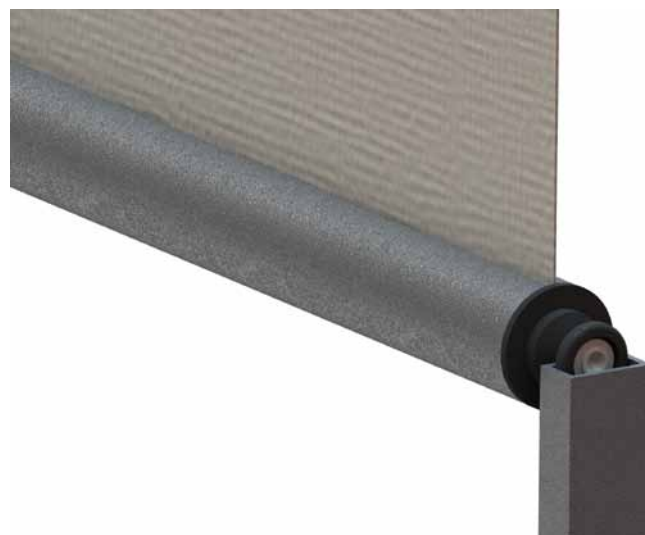
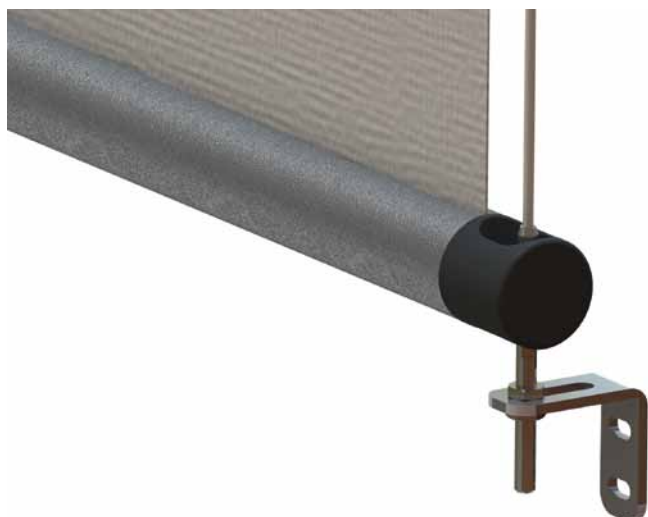
pozycja	nazwa pozycji	Nazwa handlowa	numer rysunku
10	Listwa dolna Al - FD 42 surowe	RR 08/6	6-009147-0000
10	Obciążnik screen okrągły (cynkowany ogniowo)	ZP0018/1	3 02880-PU27
10	Pręt plastikowy 4,0 mm PVC	ZP0097/0004	6-016911-0004
10	Wążek nawijający markizy śr. 78 mm - 6 m	MR 024/1	6-011084-0078
10	Pręt plastikowy 6,0mm PVC	ZP0097/0006	6-016911-0006
10	Linka stalowa 4mm	ZP0062	6-011492-0000
10	Listwa prowadząca GC20 surowa	ZP0020	6-008727-0000
20	Materiał screen		patrz wzornik SCREEN
30	Silniki (SOMFY, BECKER) screen		patrz Obsługa
30	Przekładnia + korbka do screen		patrz Obsługa
40	Uchwyt Al z tuleją komplet do silnika	ZP0046	6-009209-0000
50	Kołpak wałka śr. 78mm z czopem	MR 026/1	6-011086-0078
60	Końcówka listwy dolnej FD 42 (VL) czarna	ZP0022	6-008736-0030
60	Końcówka screen czarna	ZP0049	3-02208-9004
60	Pokrywa listwy prowadzącej śr. 40	P 019/1	3-01849-9006
70	Kątownik linki napinającej - stal nierdzewna, nielakerowana	ZP0056/1	3-02431-0000
71	Śruba napinająca	ZP0027/1	3-02430-0000
73	Kołek sprężynowy 3x12 DIN 7346	ZP0001	6-009807-0000
74	Nakrętka niska M8 nierdzewna DIN 439B A2	A 710/1	6-010705-0000
75	Podkładka M8, DIN 125-A1, A2	ZP0090	6-009997-0002
76	Oslona samoprzylepna 606-172-13 srebrna RAL9006	ZP0065	6-011520-0000
77	Podkładka montażowa - prof. prow. GC20	ZP0082	7-302422-0000
80	Uchwyt linki dla konsoli okrągłej - komplet + para RAL	ZP0059/1	2 01009-PU11
90	Śruba zabezpieczająca pokrywy M4	A 700/3	7-303030-0000
100	Konsola okrągła - komplet + para RAL	ZP0021/1	2 01002-PU11

SCREEN LITE

Specyfikacja techniczna

Konsola
(2-01002)**Uchwyt linki stalowej**

(3-02431) - stal nierdzewna, nielakierowana

**Profil dolny FD 42**
(RR 08/6, 6-009147)**Walek nawijający**
(6-011084)**Listwa prowadząca GC 20**
(6-008727)**Warianty prowadzenia bocznego**

SCREEN LITE

Wymiarzenie i montaż

Instrukcja wymiarzenia

Rolety ekranowe SCREEN LITE można umieścić zarówno do otworu, jak też przed otwór, z montażem na strop lub na ścianę. Szerokość i wysokość rolety ekranowej mierzymy w następujący sposób:

Š (szerokość)

a) umocowanie do otworu

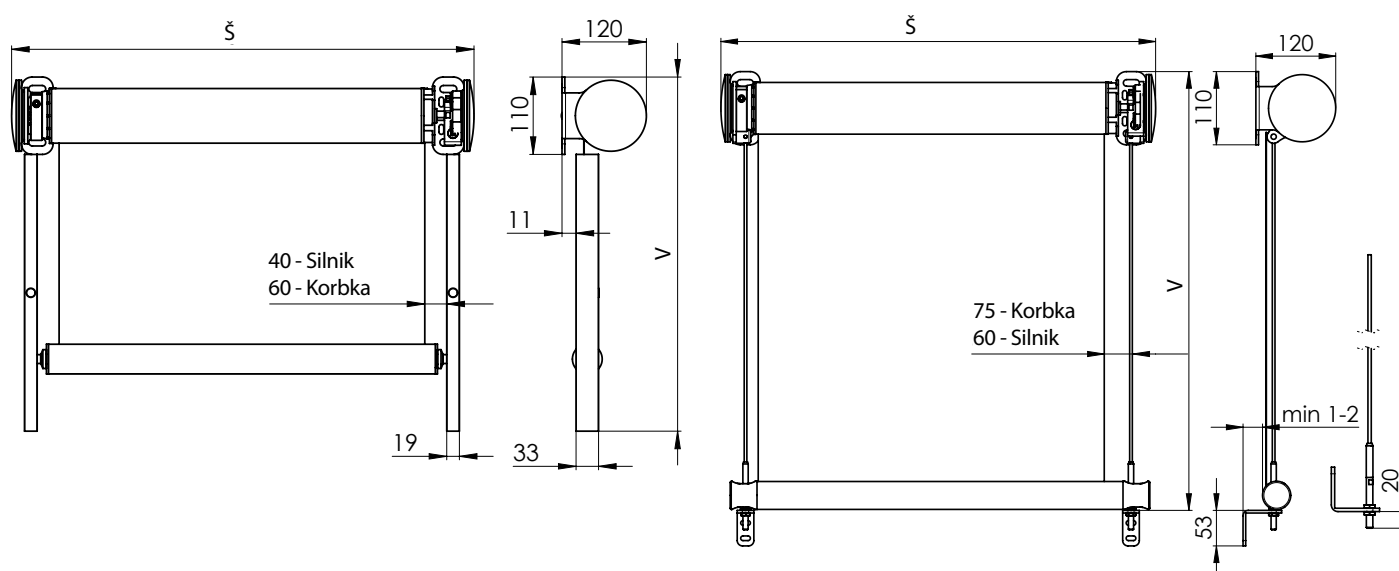
Mierzy się rzeczywistą szerokość otworu w trzech punktach, do formularza zamówieniowego podaje się najmniejszą rzeczywistą zmierzoną wartość.

b) umocowanie na otwór

Do formularza zamówieniowego podaje się zazwyczaj szerokość otworu, który roleta ma zaciemnić. Wymiary poza podanymi limitami trzeba konsultować z producentem.

V (wysokość)

Mierzy się całkowitą wysokość wraz z profilem górnym i uchwytem rolety.



Wymiary poza podanymi limitami trzeba również konsultować z producentem.

Montaż

Montaż rolet może przeprowadzać wyłącznie wykwalifikowany personel zdolny do należytego dotrzymania podanych poniżej wskazówek z pełnym uwzględnieniem bezpieczeństwa własnego i innych osób.

Główne czynności:

- 1) przygotowanie ścian, stropów okien lub innej konstrukcji do montażu rolet z użyciem przenośnych wiertarek i śrubokrętów;
- 2) montaż rolety na ścianę lub strop;
- 3) podłączenie do doprowadzenia zasilania elektrycznego;
- 4) ustawienie (ograniczników końcowych / łączników krańcowych silnika, itp.) i testowanie rolety.

Przygotowanie montażu rolety

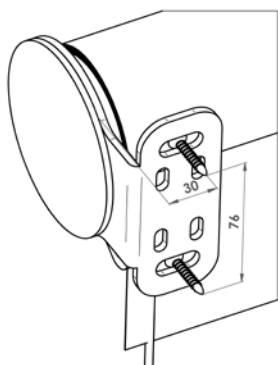
Przed montażem rolety skontrolować, czy powierzchnia miejsca montażowego nadaje się do montażu. Wybrać odpowiednie wkręty mocujące (typ i wymiary) odpowiadające typowi konstrukcji, na której będzie montowana roleta (drewno, beton, cegła, itp.).

Uwaga: Nieprawidłowa instalacja może być przyczyną wypadku. Dotrzymywać zaleceń dotyczących prawidłowego montażu rolety, aby zapobiec ryzyku odpadnięcia rolety od ściany lub okna. Spółka ISOTRA a.s. nie odpowiada za wady spowodowane nieprawidłowym montażem.

SCREEN LITE

Montaż

Montaż rolety na strop lub na ścianę



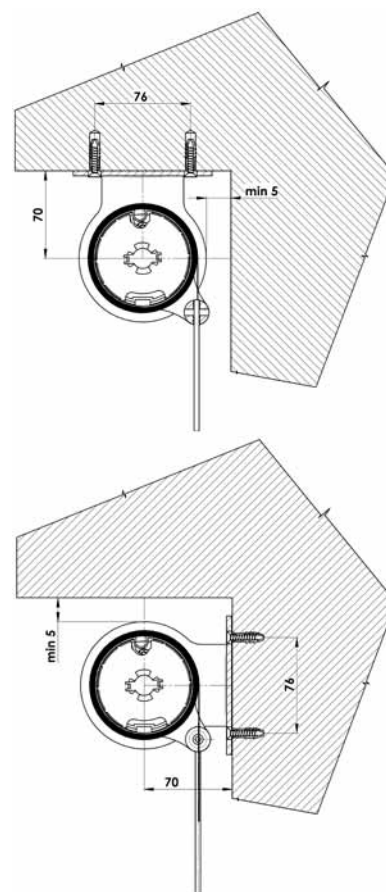
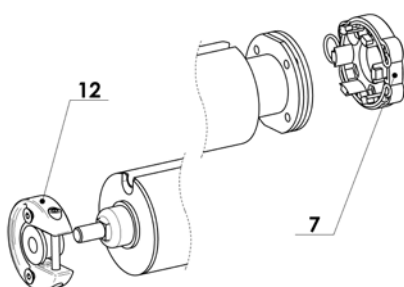
Montaż rolety ekranowej na strop zacząć od wymierzenia umieszczenia otworów do mocowania konsoli nośnych.

Odległość śrub od krawędzi rolety powinna wynosić 30 mm. Rozstaw między śrubami wynosi 76 mm.

Między ścianą lub stropem i konsolą nośną zostawić wolne miejsce 5mm tak, jak jest pokazane na rysunku.

Prawidłowość wymierzenia można jeszcze przed wierceniem sprawdzić przykładając roletę w zmontowanym stanie. Wywiercić otwory i zamontować konsole nośne. Na umocowane konsole nasadzić nawój rolety i zabezpieczyć.

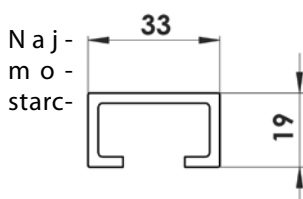
Nawój nasadza się na stronie silnika do uchwytu HiPro (7) i zabezpiecza spinką a na przeciwległej stronie wkłada do plastikowej tulei (12) i zabezpiecza się śrubką.



SCREEN LITE

Montaż listew prowadzących

Montaż listew prowadzących

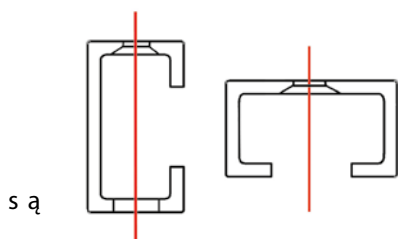


Naj-
m o -
starc-

pierw zamontować kasetę na strop / ścianę, następnie zamontować listwy prowadzące. Dla delu SCREEN LITE w ofercie jest tylko jeden model listew prowadzących GC20. Listwa jest do-
zdana z otworami nawierconymi fabrycznie według zamówienia od czoła lub z boku.

Rozmieszczenie otworów jest zawsze:

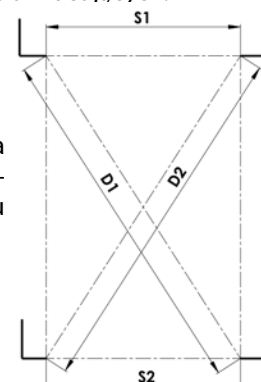
- skrajne otwory są umieszczone ok. 10cm od końca listwy
- pozostałe otwory są rozmieszczone co 50–80cm równomiernie na całej długości listwy prowadzącej



s ą

Wyznaczona czerwona linia oznacza oś pionową na śruby montażowe. Użyć nawierconych listew prowadzących jako szablonu do przeniesienia pozycji otworów na ścianę skrzydła okna. Przykręcić listwy prowadzące do ściany z pomocą wkrętów i części odpowiadających typowi konstrukcji, do której są montowane (konstrukcja metalowa, beton, mur, itp.). W przypadku montażu czołowego listwy prowadzącej dostarczane samoprzylepne nalepki do zakrycia otworów śrub mocujących.

Po dokończeniu montażu skontrolować, czy listwy prowadzące są równoległe i prostopadłe. To można przeprowadzić mierząc dwie odległości „S1” i „S2” lub przekątne „D1” i „D2”. Wymiary muszą być jednakowe ± 2 mm. Prawidłowe umieszczenie listew prowadzących jest niezbędne, w przeciwnym wypadku może być naruszone funkcjonowanie rolety.

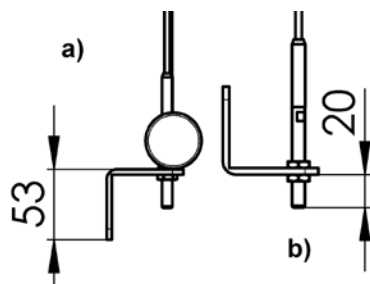


SCREEN LITE

Montaż linek

Montaż linek

Linki stalowe o $\varnothing 4$ mm są dostarczane przycięte na odpowiednią długość z naprasowaną końcówką gwintową. Dokładna konfiguracja linek może być różna w zależności od konkretnego projektu. Po zamontowaniu konsoli nośnych przewlec linkę przez wałek mocujący na ścianę boczną i zabezpieczyć śrubką.

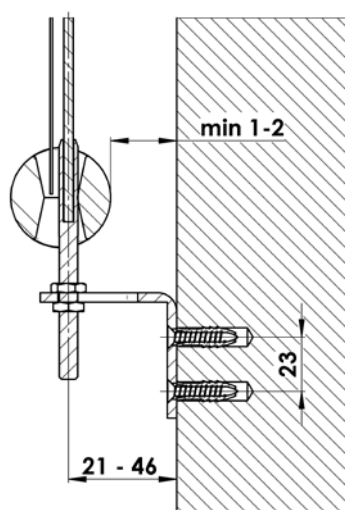


Dolne konsole mogą być montowane bocznie lub czołowo, przy tym profil „L” może być skierowany w dół (a)

(a) lub w górę (b).

Uwaga: Wyboru miejsca do montażu konsoli trzeba dokonać jeszcze przed zamówieniem rolet, ponieważ ta pozycja określa długość linki.

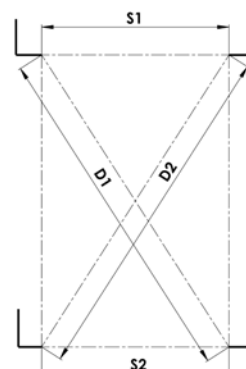
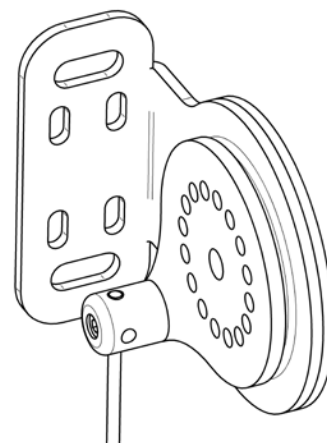
Jeżeli konsole są montowane skierowane w górę (b), należy zostawić co najmniej 20 mm między konsolą i podłogą lub parapetem okna.



Przykręcić konsole do ściany z pomocą wkrętów i części odpowiadających typowi konstrukcji, do której są montowane (konstrukcja metalowa, beton, mur, itp.). Dolny profil powinien być w odległości od ściany lub okna co najmniej 1-2mm, aby nie doszło do wzajemnego uszkodzenia podczas pracy. W razie potrzeby zwiększyć wysięg konsoli od ściany z pomocą podkładek. Linkę zawsze napiąć i trzymać ją, aby nie skrzyła się.

UWAGA

Skontrolować, czy cztery punkty mocowania linek są równoległe i prostopadłe. To można przeprowadzić mierząc dwie odległości „S1” i „S2” lub przekątne „D1” i „D2”. Wymiary muszą być jednakowe ± 1 mm.



SCREEN LITE

Montaż korbki

Montaż korbki przez ścianę

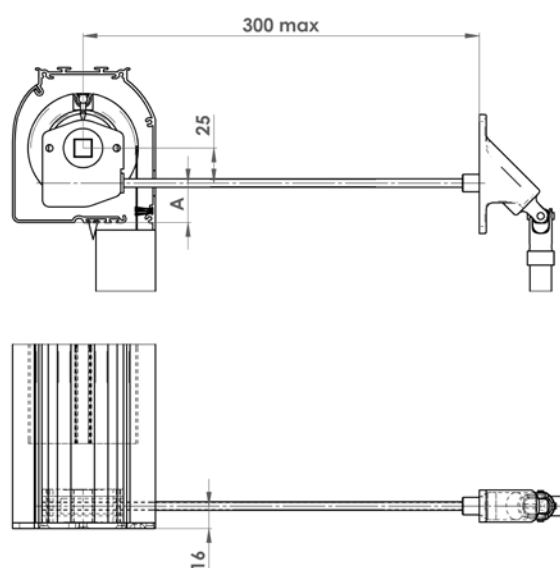
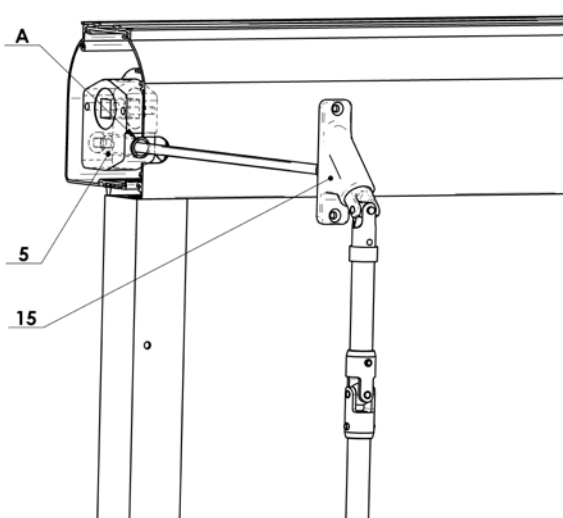
Korbka – wariant z przepustem (Ks)

W przypadku rolety zewnętrznej montowanej z przepustem przez ścianę i prętem korbki wewnątrz należy najpierw starannie obliczyć pozycję otworu na pręt sześciokątny o długości 30 cm (15).

Zamontować konsolę na ścianę lub strop i zainstalować roletę na jej miejsce. Zaznaczyć ołówkiem pozycję dolnego rogu kasety na ścianie lub ramie okna. Wyjąć roletę z konsoli montażowych i zmierzyć odległość od dolnego rogu kasety do środka otworu (A) w tylnej części kasety (służącego do włożenia pręta sześciokątnego do obsługi przekładni). Zaznaczyć taką samą odległość na ścianie wyznaczając środek otworu, który ma być wiercony.

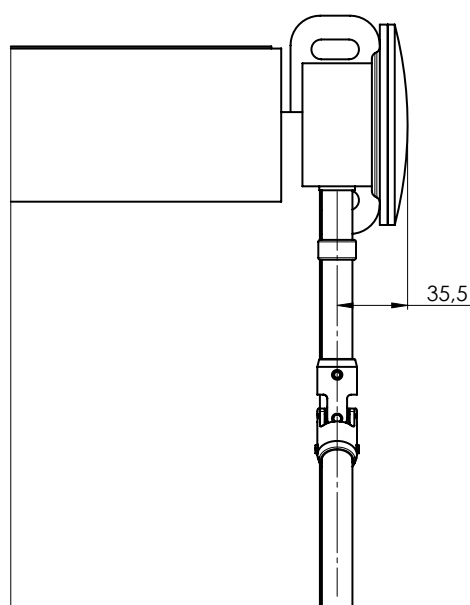
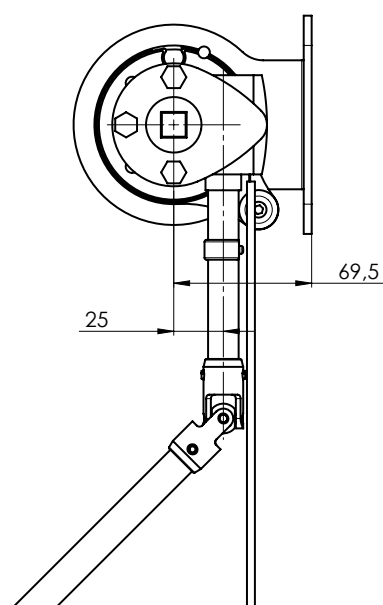
Ostrożnie wywiercić przez ścianę otwór z pomocą wiertła o średnicy 8 mm. Jest ważne, aby otwór był w miarę jak najdokładniej poziomy.

Zainstalować z powrotem roletę i od wewnątrz włożyć przez ścianę przepust, aby skontrolować prawidłową pozycję otworu. Następnie uciąć pręt sześciokątny piłą na prawidłową długość. Jego długość zależy od grubości ściany.



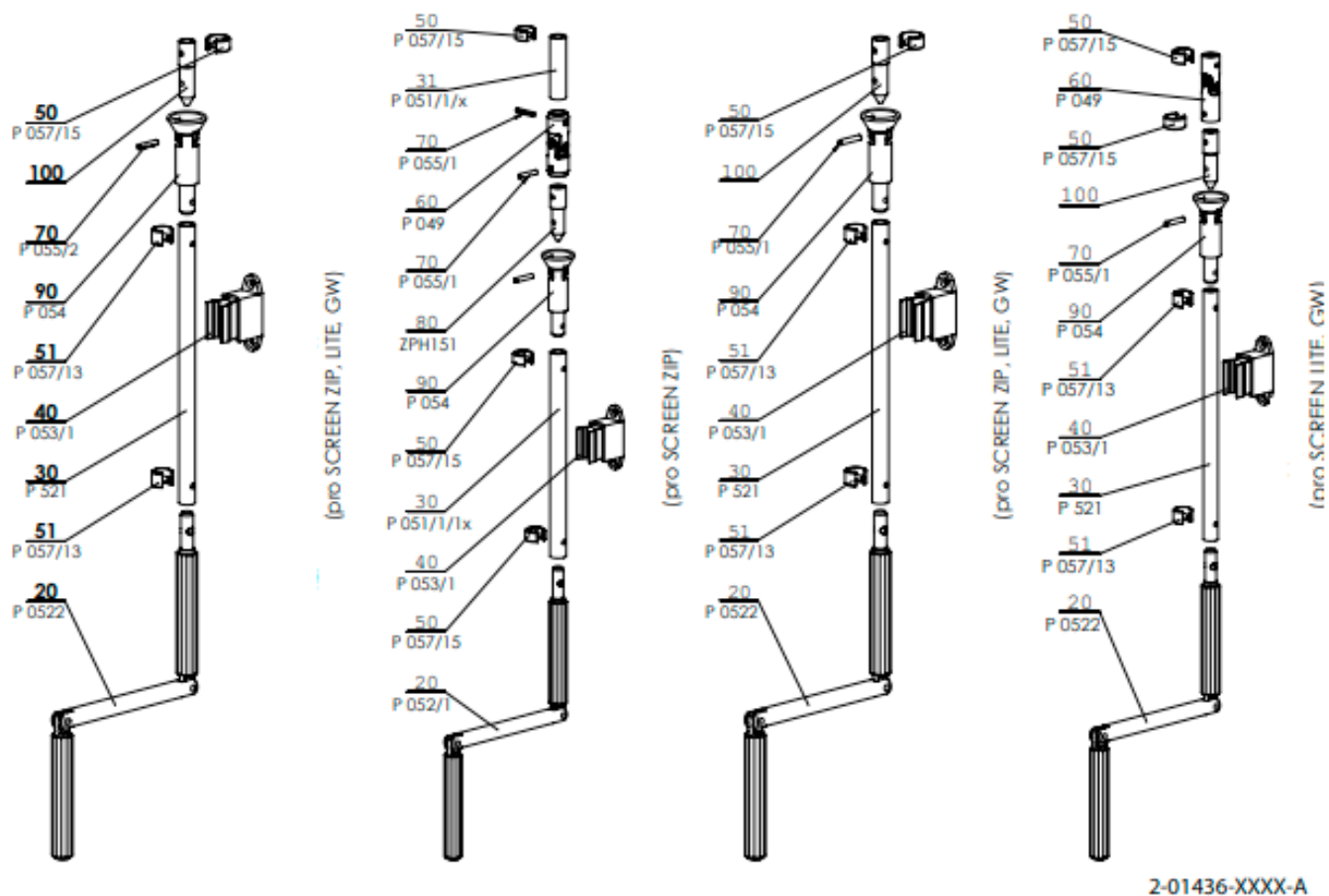
Korbka – wariant prosty (K)

Korbka połączona z roletą już w dostawie



SCREEN ZIP, GW, LITE

Obsługa Korbka



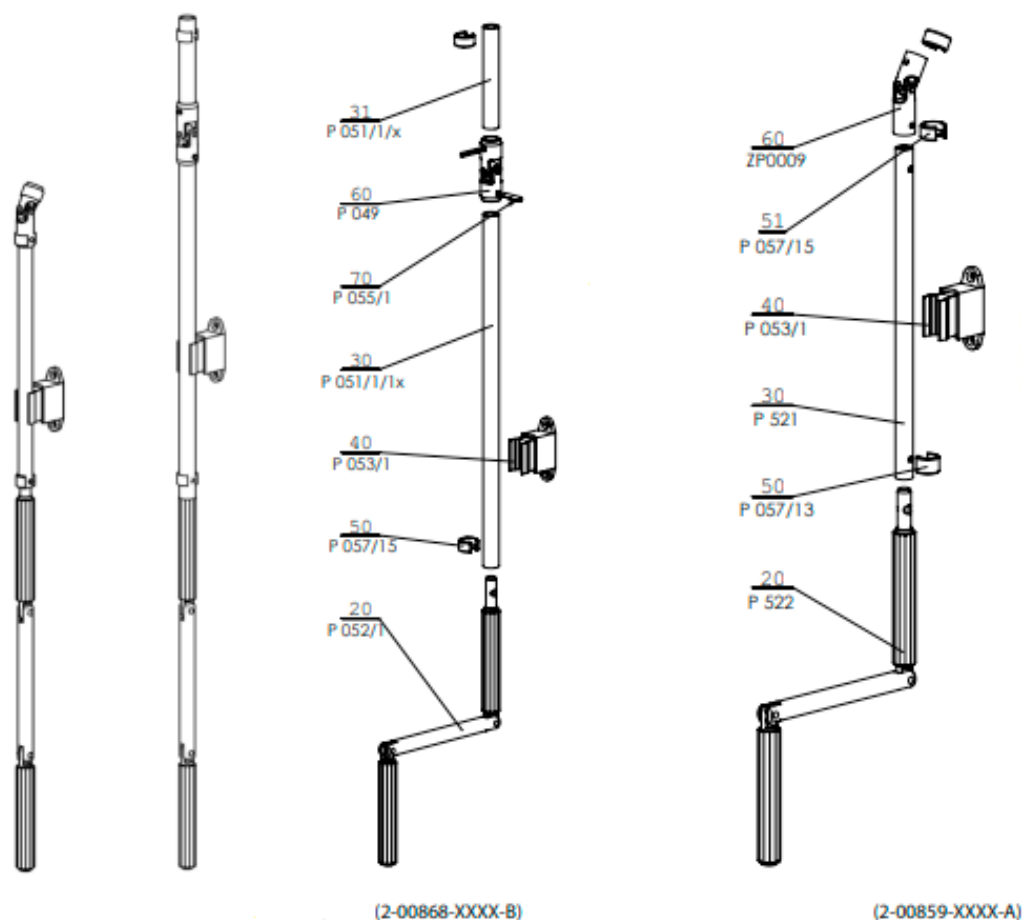
2-01436-XXXX-A

Korbka kompletna zdejmowana do SCREEN (2-01436-XXXX-0)

pozycja	nazwa pozycji	Nazwa handlowa	numer rysunku
20	Korbka łamana Al – średnica 12 mm szara	P 052/1	6-006682-0000
20	Korbka łamana Al – średnica 10 mm szara	P 522	6-001255-0000
30,31	Rura korbki Al – średnica 15 mm anodowana	P 051/1/X	7-301797-PU52
30	Rura korbki Al – średnica 13 mm anodowana	P 521	6-001254-0000
40	Uchwyt korbki – uniwersalny szary	P 053/1	6-006683-7045
50	Pierścień zabezpieczający z czopem 15 mm szary	P 057/15	6-006467-7035
53	Pierścień zabezpieczający z czopem 13 mm szary	P 057/13	6-006468-7035
60	Kardan rury połączeniowej 15 mm	P 049	6-001182-0000
70	Kołek sprężynowy 4x22 Din 1481	P 055/1	6-004581-0000
80	Adaptacja – kardan	ZPH151	6-014318-0000
90	Gniazdo korbki kwadrat	P 054	6-001190-0000
100	Czop do korbki		3-03287-0000

SCREEN ZIP

Obsługa Korbka

**Korbka kompletna do SCREEN ZIP (2-00868-XXXX-B)**

pozycja	nazwa pozycji	Nazwa handlowa	numer rysunku
20	Korbka łamana Al – średnica 12 mm szara	P 052/1	6-006682-0000
30,31	Rura korbki Al – średnica 15 mm anodowana	P 051/1/X	7-301797-PU52
40	Uchwyt korbki – uniwersalny szary	P 053/1	6-006683-7045
50	Pierścień zabezpieczający z czopem 15 mm szary	P 057/15	6-006467-7035
60	Kardan rury połączeniowej 15 mm	P 049	6-001182-0000
70	Kołek sprężynowy 4x22 Din 1481	P 055/1	6-004581-0000

Korbka kompletna do SCREEN GW, LITE (2-00859-XXXX-A)

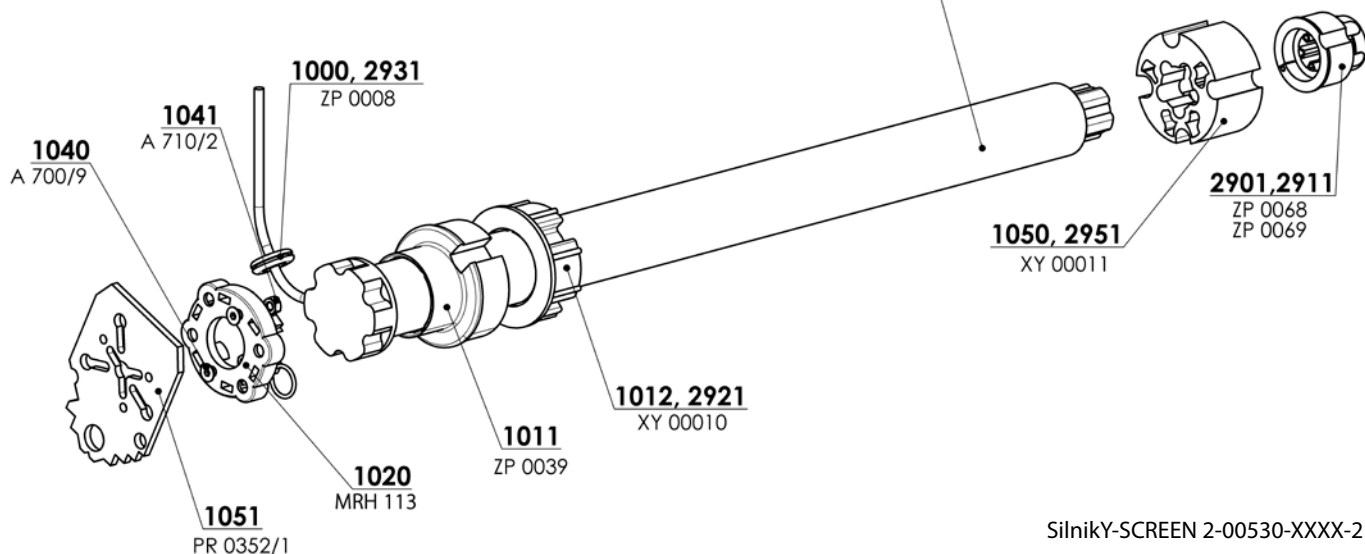
pozycja	nazwa pozycji	Nazwa handlowa	numer rysunku
20	Korbka łamana Al – średnica 10 mm szara	P 522	6-001255-0000
30	Rura korbki Al – średnica 13 mm anodowana	P 521	6-001254-0000
40	Uchwyt korbki – uniwersalny szary	P 053/1	6-006683-7045
50	Pierścień zabezpieczający z czopem 13 mm szary	P 057/13	6-006468-7035
51	Pierścień zabezpieczający z czopem 15 mm szary	P 057/15	6-006467-7035
60	Przegub krzyżowy korbki 13 mm	ZP0009	6-009181-0000
70	Kołek sprężynowy 4x22 Din 1481	P 055/1	6-004581-0000

SCREEN ZIP, ZIP ECONOMY, GW, LITE

Obsługa Silnik

30, 101 - 803, 2501 - 2601

MOTOR



SilnikY-SCREEN 2-00530-XXXX-2

pozycja	nazwa pozycji	Nazwa handlowa	numer rysunku
1	Silnik ALTUS 50 RTS 06/17	MR 091/06	6-011170-0006
102	Silnik ALTUS 50 RTS 10/17	MR 091/10	6-011170-0010
103	Silnik ALTUS 50 RTS 15/17	MR 091/15	6-011170-0015
201	Silnik Sunea 50 Screen io 06/17	ZP0084	6-012559-0617
202	Silnik Sunea 50 Screen io 10/17	ZP0085	6-012559-1017
203	Silnik Sunea 50 Screen io 15/17	ZP0086	6-012559-1517
301	Silnik MAESTRIA +50 IO 06/17 VVF5M	ZP0084/1	6-012538-0617
302	Silnik MAESTRIA +50 IO 10/17 VVF5M	ZP0085/1	6-012538-1017
303	Silnik MAESTRIA +50 IO 15/17 VVF5M	ZP0086/1	6-012538-1517
401	Motor MAESTRIA WT+50 WT 06/17	ZP0093/06	6-015258-0617
402	Motor MAESTRIA WT+50 WT 10/17	ZP0093/10	6-015258-1017
403	Motor MAESTRIA WT+50 WT 15/17	ZP0093/15	6-015258-1517
1011	Adapter silnika śr. 78 ZIP	ZP0039	3-03084-0000
1020	Uchwyt silnika	MRH 113	6-013871-0000
1040	Śruba imbus z łbem wpuszczonym M6x12 Zn DIN 7991	A 700/9	6-003511-0000
1041	Nakrętka M6 DIN 934, 8.8, Zn	A 710/2	6-003188-0005
1050	Zabierak LT50 do DS78	XY 00011	6-009120-0002
1051	Uchwyt silnika SCREEN	PR0352/1	3-02962-0000
1052	Śruba M5x16 Zn DIN 965-H, 4.8, łeb wpuszczony krzyżowy	A 700/10	6-003595-0000
1053	Śruba imbus z łbem wpuszczonym M6x22 A2 DIN 7991		6-013675-0000
2901	Redukcja LS40/LT50	ZP0068	6-001594-0000
2911	Redukcja głowicy napędu LS40/LT50	ZP0069	6-001595-0000
2921	Adapter LT50 do DS78	XY 00010	6-009120-0001
2931	Przepust kabla plastikowy, czarny		6-017078-0000

Silniki (Becker) (6-015258 / 6-012538 / 6-002624 / 6-014483)

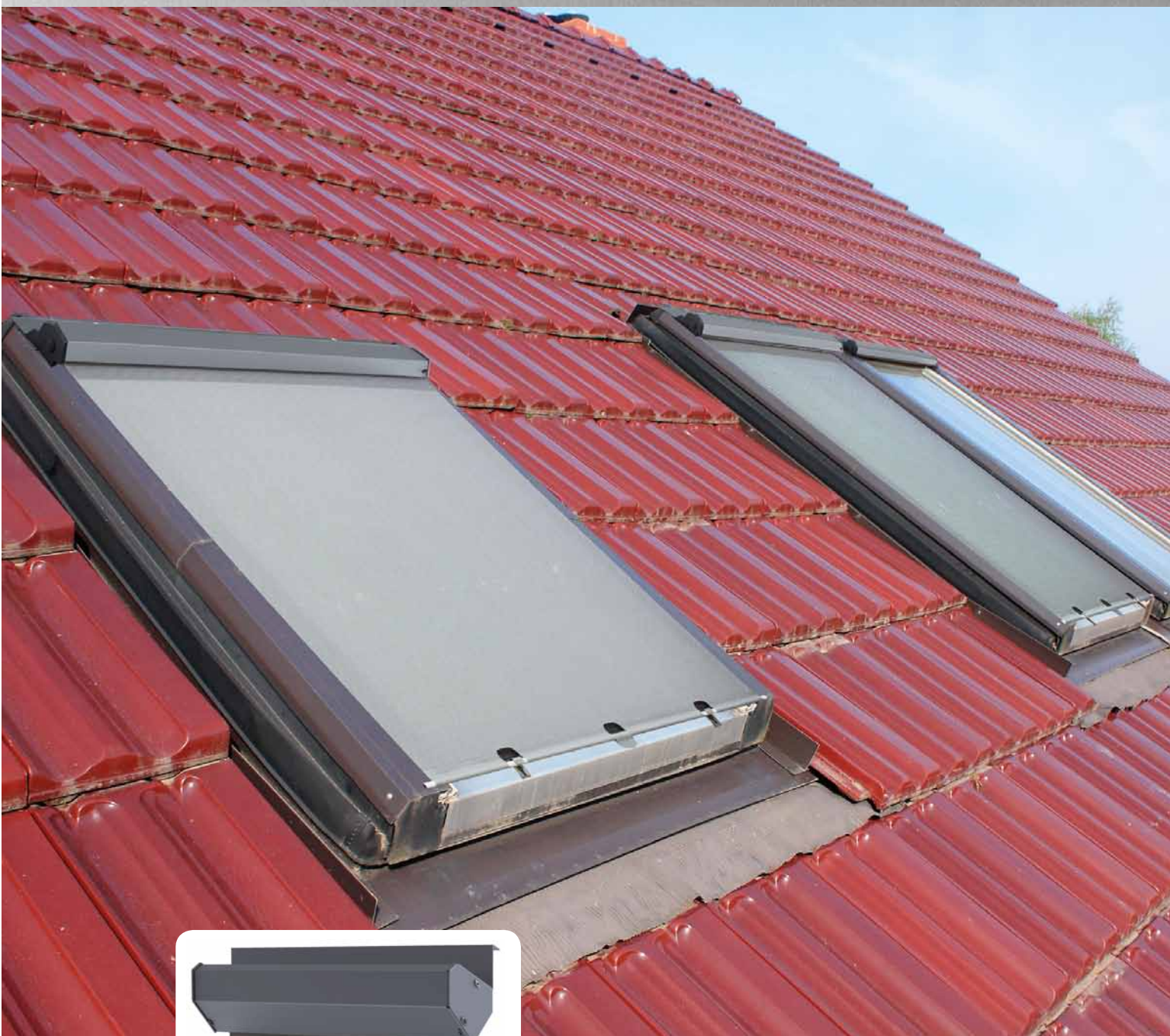
pozycja	nazwa pozycji	Nazwa handlowa	numer rysunku
30	Silnik BECKER 50 E 08/17	X.2010/1301590	6-017861-0008
30	Silnik BECKER 50 E 12/17	X.2010/1301600	6-017861-0012
30	Silnik BECKER 50 E 20/17	X.2010/1301450	6-017861-0020
500	Silnik BECKER 50 Screen C 08/17 PLUS	X.2010/1302170	6-018761-0008
500	Silnik BECKER 50 Screen C 12/17 PLUS	X.2010/1302180	6-018761-0012
500	Silnik BECKER 50 Screen C 20/17 PLUS	X.2020/1301860	6-018761-0020

*Uwaga: E=mechaniczny (wyłącznik) / C=radiowy (pilot)

Silniki (ISOTRA BASIC) SCREEN ZIP, GW, LITE, ZIP ECONOMY

pozycja	nazwa pozycji	Nazwa handlowa	numer rysunku
600	Motore ISOTRA BASIC, 10Nm/17, ze zintegrowanym odbiornikiem, SC zip	X.AM45 10/17S	6-019173-0010
600	Moteur ISOTRA BASIC, 15Nm/17, ze zintegrowanym odbiornikiem, SC zip	X.AM45 15/17S	6-019173-0015
600	Moteur ISOTRA BASIC, 20Nm/17, ze zintegrowanym odbiornikiem, SC zip	X.AM45 20/17S	6-019173-0020

SCREEN SKY

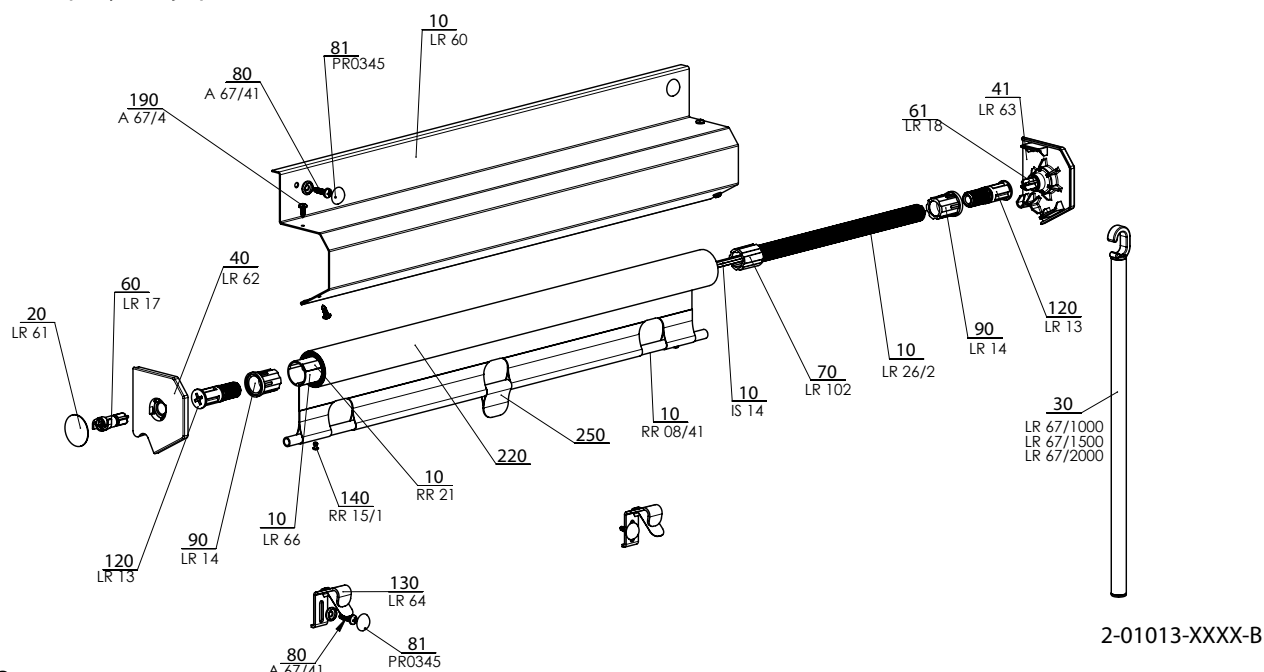


- ▲ Efektywna ochrona przed promieniowaniem świetlnym i ciepłym,
- ▲ ochrona przed czynnikami atmosferycznymi i hałasem z zewnątrz,
- ▲ pełna funkcjonalność w dowolnej pozycji skrzydła okna,
- ▲ bogaty wybór materiałów z różnym stopniem przepuszczalności światła,
- ▲ Klasa odporności na wiatr 2.

ISOTRA *Quality*

SCREEN SKY

Podstawowa specyfikacja produktu



Obsługa

Ręczny - służy do opuszczania i podnoszenia dachowej rolety ekranowej

Specyfikacja

	Profil kryjący	Walek nawijający	Montaż
Nazwa handlowa	LR 60	RR 15/1	na obłachowanie górnej ramy okna dachowego
Wymiar (mm)		Ø 22 mm	
Materiał	Al	Al	
Kolor	RAL 9006 jasno srebrny RAL 9007 ciemno srebrny RAL 9010 biały RAL 7016 antracytowo szary pozostałe RAL 7016S antracytowo szara struktura RAL 8014 brązowy pozostałe kolory RAL na życzenie*	Szary	

*oprócz części plastikowych.

Nietypowych wariantów nie produkujemy.

Standardowe wymiary

Wersja	Szerokość (mm)		Wysokość (mm)		Gwarantowana powierzchnia (m ²)
	min.	maks.	min.	maks.	
madlo	400	1200	500	1600	1,9

Uwaga:

Warstwa nieprzepuszczająca światła do dachowego typu rolety ekranowej jest zawsze na stronie nasłonecznionej. W przypadku montażu na zewnątrz silny wiatr może powodować nieznaczne podnoszenie dolnego profilu i materiału. Dolny profil lub cięgiło po zaciągnięciu rolety są zabezpieczone haczykami.

Normalne zjawiska związane z tkaninami technicznymi

W okolicy zgrzewu lub pośrodku tkaniny może dojść do sfałdowania materiału, tzw. efektu choinkowego. To zjawisko jest normalne, ponieważ podczas używania na materiał działają różne siły. Następnym zjawiskiem mogą być widoczne odciski od walca na materiale. Znikną one przy wyższej temperaturze, kiedy materiał wyrówna się.

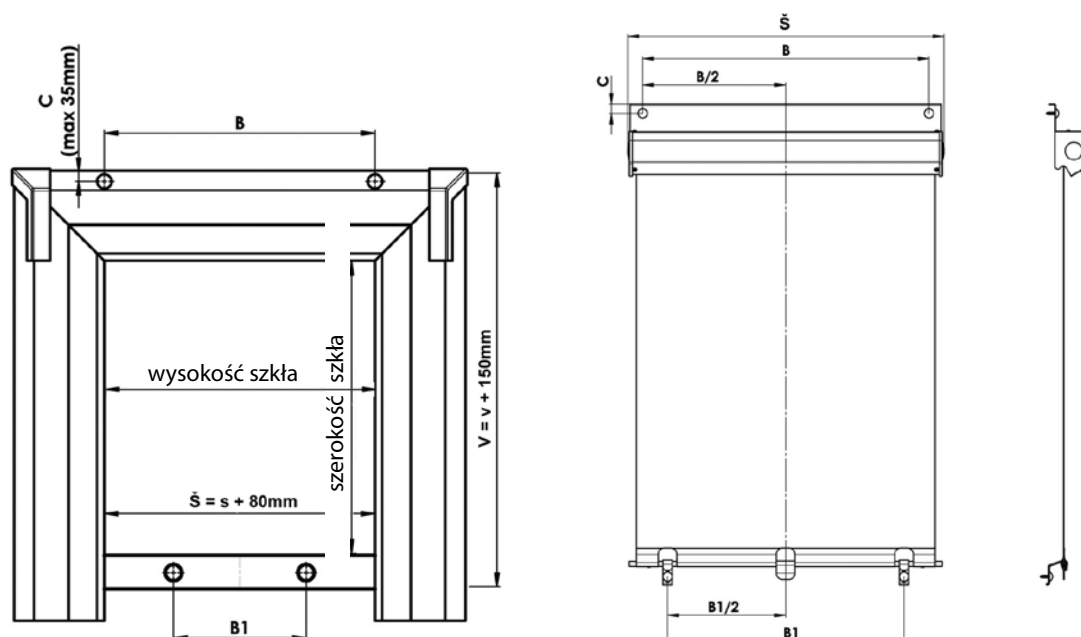
Screen Sky (2-01013-0000)

pozycja	nazwa pozycji	Nazwa handlowa	numer rysunku
10	Profile dzielone- SCREEN- SKY		patrz Profile dzielone
10/1	Pokrywa screen - S	LR 60	3-02443-0000
10/30	Rura (D/N) Al - anodowana	RR 08/41	6 011163-PU52
10/102	Sprężyna LEWA l=600/1,3	LR 26/2	7-301254-0000
10/110	Drut trójkąt	IS 14	7-300050-0000
10/120	Taśma samoprzylepna obustronna	RR 21	6-001310-0000
20	Pokrywa napinacza	LR 61 XXXX	3-02489-XXXX
30	Drażek do obsługi do Screen SKY - 1000 mm	LR 67/1000	2-01400-1000
30	Drażek do obsługi do Screen SKY - 1500 mm	LR 67/1500	2-01400-1500
30	Drażek do obsługi do Screen SKY - 2000 mm	LR 67/2000	2-01400-2000
40	Ściana boczna plast. P	LR 62 XXXX	3-02487-XXXX
41	Ściana boczna plast. L	LR 63 XXXX	3-02488-XXXX
60	Czop rolety - PRAWY	LR 17	3-00609-0000
61	Czop rolety - LEWY	LR 18	3-00610-0000
70	Śruba wewnętrzna	LR 102	3-01203-0000
80	Śruba samonacinająca ST 4,2x16	A 67/4	6-012661-0000
81	Osłona śruby dwuczściowa PVC - czarna/brazowa/szara	PR0345/XX	6-002073-XXXX
90	Tuleja	LR 14	3-00650-0000
120	Czop sprężyny	LR 13	3-00608-0000
130	Haczyk	LR 64	7-302447-0000
140	Nit zrywany Al 4x6 DIN 7337 A	SC 142 0000	6-009908-0000
190	Wkręt 3,5x9,5, DIN 7504 M, Zn, z łbem półk. krzyż.	A 67/4	6-003096-0000
220	Materiał screen		patrz wzornik SCREEN
250	Cięgło SCREEN-S		3-02445-0000



BOX NA STŘEŠNÍ SCREEN 3-02443-XXXX-A

ROLETA DACHOWA SCREEN SKY



1. WYMIERZENIE OKNA

Zaleca się mierzenie z zewnętrznej strony okna dachowego na samym oblachowaniu. Jeżeli okno posiada tabliczkę fabryczną, w formularzu zamówieniowym w uwadze można podać dokładną nazwę i typ okna dachowego dla sprawdzenia prawidłowości zmierzonych wartości.

SZEROKOŚĆ I UMIESZCZENIE DOLNYCH HAKÓW ROLETY MIERZY SIĘ W NASTĘPUJĄCY SPOSÓB:

Szerokość (SZ):

Mierzmy prześwit skrzydła okna (wymiar szyby s) a do zmierzonej wartości zalecamy dodanie min. 80mm dla zakrycia.

Całkowita zmierzona wartość (DZ) musi uwzględniać kształt i wielkość oblachowania mierzonego okna dachowego.

Tak zmierzoną wartość zapisać do formularza zamówieniowego rolety.

Szerokość rolety produkujemy z dokładnością do milimetrów od szerokości 400 mm do szerokości 1200 mm.

Uwaga Szerokość materiału (rzeczywista zaciemniona powierzchnia) jest o 22 mm mniejsza niż całkowita zmierzona wartość rolety.

Jeżeli okno dachowe w miejscu umocowania górnej kasety posiada wkręty zabezpieczające przez oblachowanie, zmierzyc rozstaw tych wkrętów (B) i odległość od górnej krawędzi (C). Jeżeli okno dachowe nie posiada tych krętów, tej informacji nie podaje się.

Wymiary poza podanymi limitami trzeba konsultować z producentem.

Wysokość:

Mierzmy prześwit skrzydła okna (wymiar szyby W) a do zmierzonej wartości zalecamy dodanie min. 150mm dla zakrycia.

Całkowita zmierzona wartość (W) musi uwzględniać kształt i wielkość oblachowania mierzonego okna dachowego.

Maksymalna wysokość zaciemnienia wynosi 1600 mm.

Wymiary poza podanymi limitami trzeba konsultować z producentem.

Umieszczenie dolnych haków:

Jeżeli okno dachowe w dolnej części skrzydła posiada wkręty zabezpieczające przez oblachowanie, zmierzyc rozstaw tych wkrętów ($B1$).

Jeżeli okno dachowe nie posiada tych krętów, tej informacji nie podaje się i zostanie przydzielona podczas produkcji rolety.

Uwaga: Jeżeli okno dachowe w dolnej części posiada wkręty zabezpieczające, zawsze należy podać rozstaw tych wkrętów!

W FORMULARZU ZAMÓWIENIOWYM TRZEBA PODAĆ:

1. wszystkie zalecane wymiary
2. kolor i wybrany typ materiału
3. Nazwę + typ okna + numer identyfikacyjny okna (do uwagi formularza zam.)

2. Montaż

Montaż przeprowadzać wyłącznie według niniejszej instrukcji aby uniknąć niepotrzebnych błędów montażowych, ewentualnie innych nieprzyjemności.

NARZĘDZIA DO MONTAŻU:

- wiertarka akumulatorowa
- śrubokręt krzyżowy PH 2
- nóż, nożyce, szczypce

Kontrola:

- przed montażem zalecamy przeprowadzenie kontroli wszystkich dostarczonych części, aby uniknąć możliwych problemów. Ewentualne wady, ew. uwagi dotyczące montażu lub samej żaluzji należy przekazać producentowi.
- usunąć wszystkie przeszkody z okna dachowego, które mogłyby przeszkadzać w montażu.

WŁAŚCIWY MONTAŻ:

- otworzyć okno dachowe do takiej pozycji, aby można było przeprowadzać montaż z zewnątrz
- jeżeli okno dachowe posiada śruby zabezpieczające w miejscu umocowania górnej kasety rolety, te śruby zdemontować (jeżeli okno dachowe nie posiada śrub zabezpieczających, przejść do następnego punktu)
- przyłożyć górną kasetę rolety z zabezpieczeniem za górną krawędź obłachowania i wycentrować w osi okna
- przykręcić kasetę rolety przez plastikową podkładkę do górnego obłachowania ramy okna dostarczonymi śrubami (w przypadku typów okien z usuniętymi śrubami zabezpieczającymi użyć wyłącznie tych otworów i śrub do umocowania)
- na plastikowe podkładki elementów mocujących umieścić kapturki kryjące

UMOCOWANIE DOLNYCH HAKÓW:

- jeżeli okno dachowe posiada śruby zabezpieczające w miejscu umocowania haków zabezpieczających, zdemontować te śruby
- jeżeli okno dachowe nie posiada śrub zabezpieczających, zmierzyć rozstaw otworów w dolnej części materiału rolety
- przenieść ten rozstaw na obłachowanie skrzydła w zależności od osi okna
- przykręcić haki przez plastikową podkładkę
- na plastikowe podkładki elementów mocujących umieścić kapturki kryjące

DOKOŃCZENIE:

- Otworzyć okno dachowe do maksymalnej pozycji i dolny profil rolety zaczepić za zamontowane haki
- podczas zamykania okna roleta będzie się opuszczać automatycznie.
- Roleta jest gotowa do pomyślnego używania.



ISOTRA a.s.

Bílavecká 2411/1, 746 01 Opava

Tel.: **+420 553 685 111**

E-mail: isotra@isotra.cz

www.isotra.pl

Wydanie: 05/2026

ISOTRA Partner



... chroni Twoją prywatność.