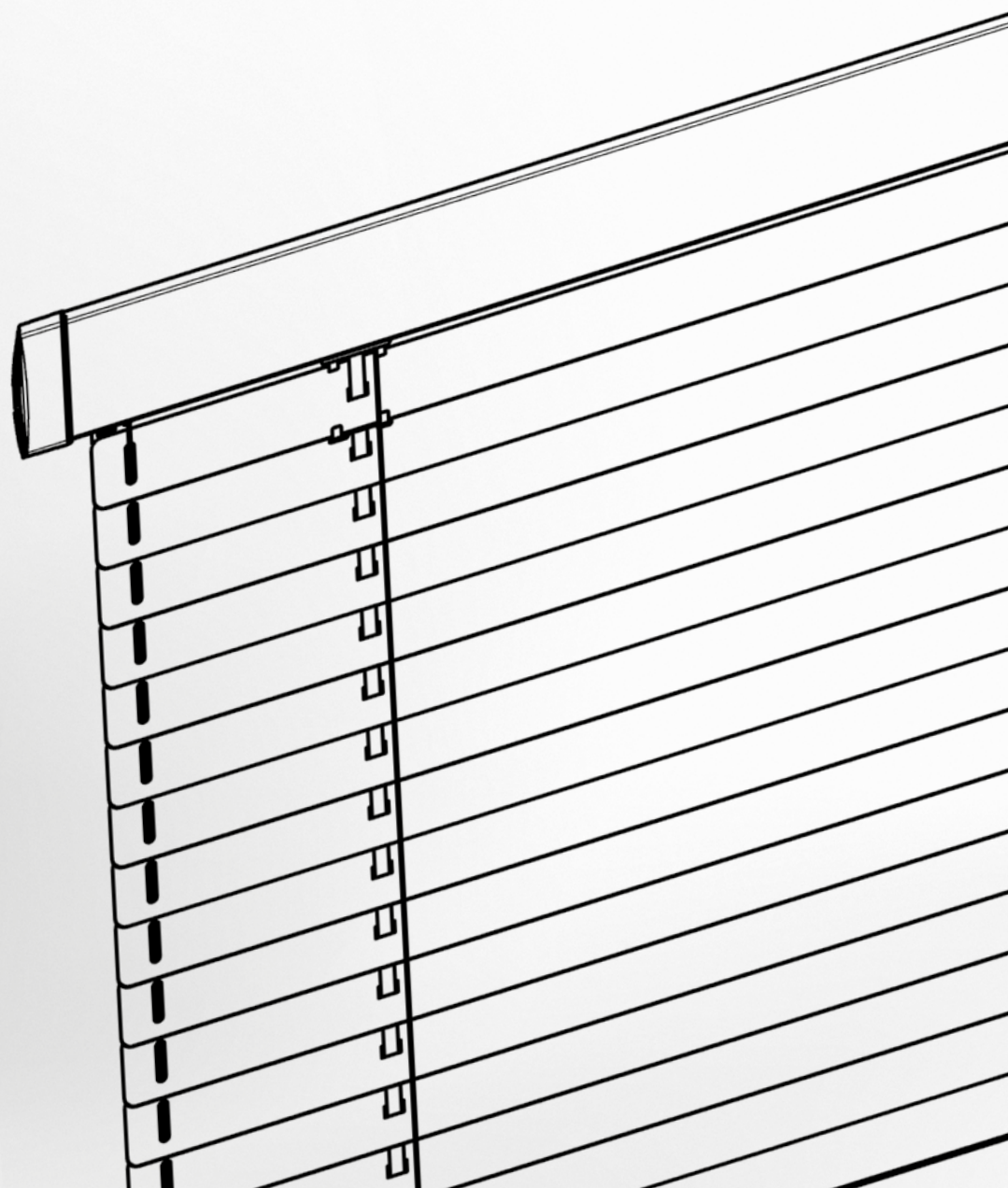




TECHNICAL MANUAL

# INTERIOR BLINDS



## Table of Contents - Interior blinds

Isotra System Classic	3	Cetta 35,50 Economy	48
Basic Product Specification	4	Basic Product Specification	49
Assembly	6	Assembly	55
Isotra System HIT	7	Cetta 35	58
Basic Product Specification	8	Basic Product Specification	59
Assembly - HIT	10	Assembly	77
Isotra System HIT II	11	V-lite	83
Basic Product Specification	12	Basic Product Specification	85
Assembly - HIT II	14	Assembly	88
Isolite Plus	15	Safety features according to the standards	
Basic Product Specification	16	EN 13120+A1; EN 16 433; EN 16 434	90
Assembly	20		
Neoisolite	21		
Basic Product Specification	22		
Assembly	24		
System 25	25		
Basic Product Specification	26		
Assembly	46		

Products in this assortment group are always measured from the interior.

---

## **ISOTRA** *Quality*

A brand symbolizing years of tradition, innumerable investments into research and development, use of high-quality materials, technological advancement, reliable work of hundreds of employees and many more parameters, which together form one whole - the final product of the company ISOTRA a.s.

# Isotra System Classic



UPPER PROFILE



BOTTOM PROFILE

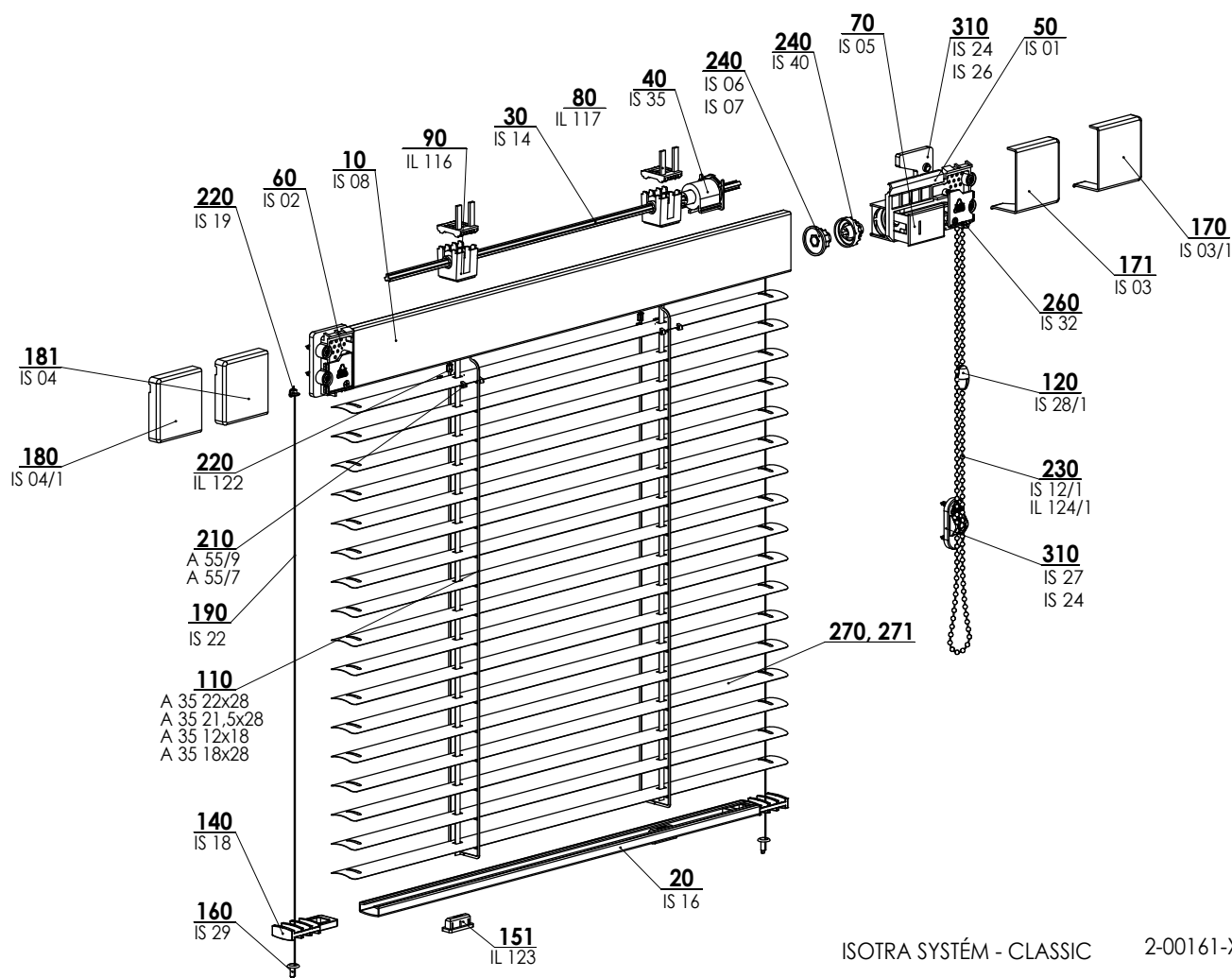


- ▲ Profiles made of extruded aluminum
- ▲ Atypical designs for shaped and arched windows
- ▲ Profile color design according to the RAL color scheme

**ISOTRA** *Quality*

# Isotra System Classic

## Basic Product Specification



ISOTRA SYSTÉM - CLASSIC 2-00161-XXXX-H

### Control

- Chain
- thick chain with diameter of 4.5 mm for pulling up, pulling down and tilting (color consistent with the profile color)
  - thin chain with diameter of 3.2 mm for pulling up, pulling down and tilting (color consistent with the profile color)

**Operation length** – enter the operation length in mm. If the value « 0 » is entered, or if the value is not filled in, the length of operation is automatically 2/3 of the height of blind.

ATTENTION : in case of using planetary gearing – the operation length depends on the height of the blind.

### Specification

	Upper profile	Bottom Profile	Slat			Side Guiding	Assembly	Brake
			Design	Width (mm)	Thickness			
Commercial Name	IS 08	IS 16	all-shading	25	0,21 / 0,18	nylon ø 0.8 mm	in window wing	needs to be ordered
Dimension (mm)	27 x 48 x 1,2	20 x 8 x 0,9	standard	25	0,21 / 0,18			
Material	Al	Al	standard	16	0,21			
Color	Standard: RAL 1002 Beige RAL 1015 Ivory RAL 8004 Chestnut RAL 8014 Brown RAL 9006 Silver RAL 9010 White  Extra Charges: Other RAL			according to current color scheme		nylon - clear		

Plastic components in profile color.

Ladder in slat color, cord ø 1,4 mm in white and brown color.

### Standard Dimensions

Minimum Width (mm)	Maximum Width (mm)	Maximum Height (mm)	Maximum Guaranteed Area
300	2000	2200	2,5 m <sup>2</sup>

We make atypical designs.

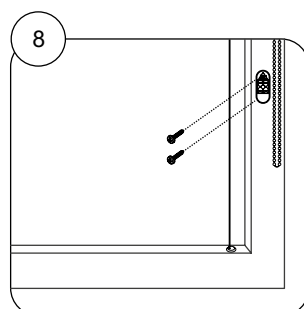
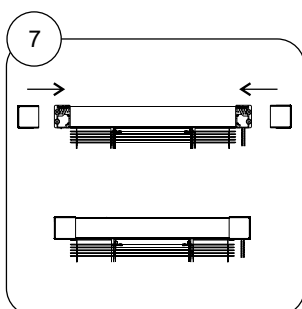
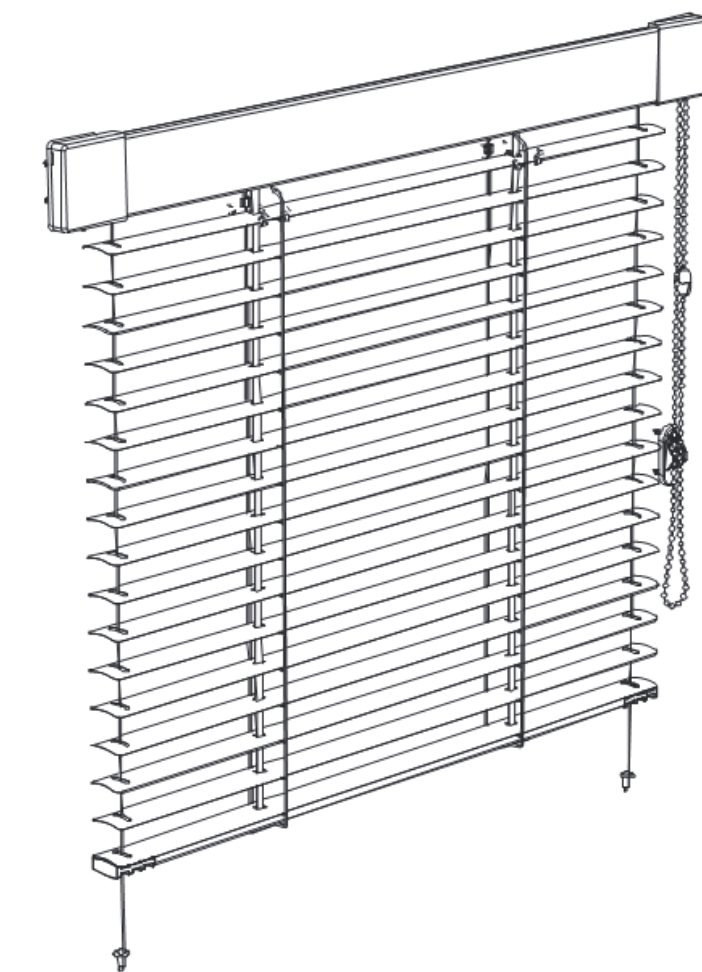
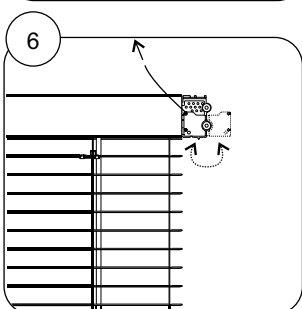
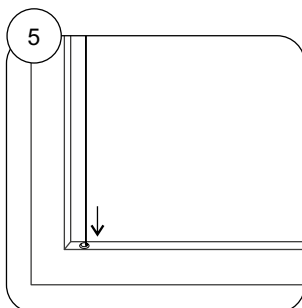
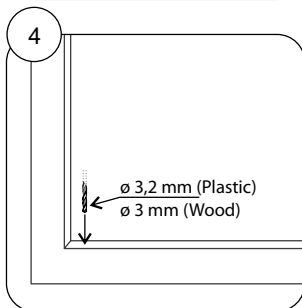
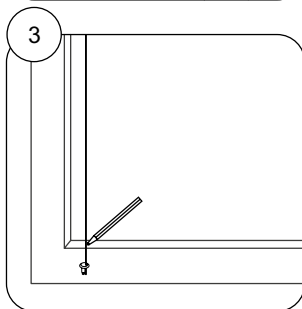
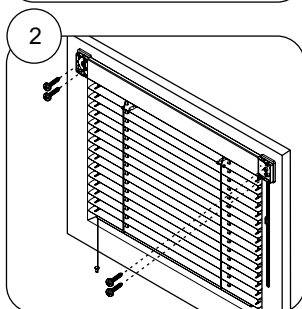
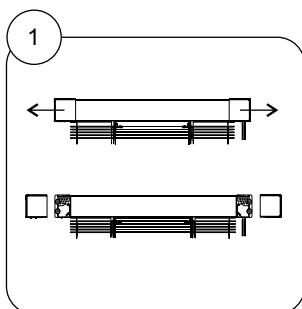
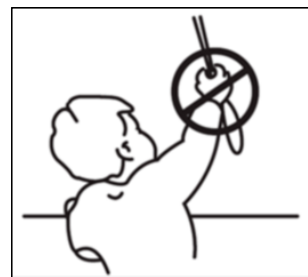
**Isotra System Classic 2-00161-XXXX**

<b>Position</b>	<b>Item name</b>	<b>Business name</b>	<b>Drawing number</b>
10	Head rail Al	IS 08	3-00032-xxxx
20	Bottom rail - Al	IS 16	7-300051-xxxx
30	Tilt rod - triangular	IS 14	7-300050-0000
40	Brake "Isotra" II (for triangular wire)	IS 35	2-00130-0000
50	Device board , right - ISOTRA	IS 01	3-00020-0000
60	Device board , left - ISOTRA	IS 02	3-00021-0000
70	Wheel cover	IS 05	3-00030-0000
80	Holder bed - Al profile	IL 117	3-00073-0000
90	Bed	IL 116	3-00072-xxxx
90	Flat cord bed	IL 121/4	6-002270-xxxx
90	Nut	IL 119	2-00011-0000
90	Cartridge	IS 13	3-00037-0000
90	Flat cord	IS 09	3-00034-0000
90	Flat cord roll (for triangular wire)	IS 10	3-00035-0000
90	Ladder connector	IS 19	6-000963-0000
90	Round cord 0,8	IS 20	3-00042-0000
90	Tube	IS 11	3-00036-xxxx
90	Tube limiter	IS 15	6-002275-xxxx
110	Ladder 12x18	A 35 22x28	6-000156-xxxx
110	Ladder 18x28	A 35 21,5x28	6-003764-5000
110	Ladder 21,5x28	A 35 12x18	6-000155-XXXX
110	Ladder 22x28	A 35 18x28	6-000154-XXXX
120	Chain connector	IS 28/1	2-01039-xxxx
140	Endcap for Al bottom rail	IS 18	3-00040-xxxx
150	Bottom rail plug	IS 17	2-00008-xxxx
151	Flat cord plug	IL 123	2-00012-0000
160	Tightening pin	IS 29	3-00048-xxxx
170	Cover - right 90°	IS 03/1	3-00028-xxxx
171	Cover - right 45°	IS 03	3-00026-xxxx
180	Cover - left 90°	IS 04/1	3-00029-xxxx
181	Cover - left 45°	IS 04	3-00027-xxxx
190	Nylon 0.8mm	IS 22	6-000964-0000
210	Spacer 25 UNI	A 55/9	3-02092-0000
210	Spacer for slat 16mm (PVC)	A 55/7	3-00861-0000
220	Ladder joint for flat cord	IL 122	3-00359-PU22
220	Clutch ladder	IS 19	6-000963-0000
230	Operating ball chain	IS 12/1	6-000962-xxxx
230	Chain - thin	IL 124/1	6-000957-xxxx
240	Wheel	IS 40	3-00049-0000
240	Wheel	IS 06	3-00031-0000
240	Coupling	IS 07	3-00022-0000
260	Screw 2,9x6,5,DIN 7982	IS 32	6-000968-0000
270-271	Al slat		See Interior slat swatch
310	Distance pad	IS 24	6-000965-0001
310	Screw 3,5x12	IS 26	3-00043-xxxx
310	Screw 3,5x20	IS 24/1	6-000967-0001
310	Chain holder	IS 27	2-00004-xxxx

# Isotra System Classic

## Assembly

The Blind is installed according to norm EN 13120 about security elements



# Isotra System HIT



UPPER PROFILE



BOTTOM PROFILE

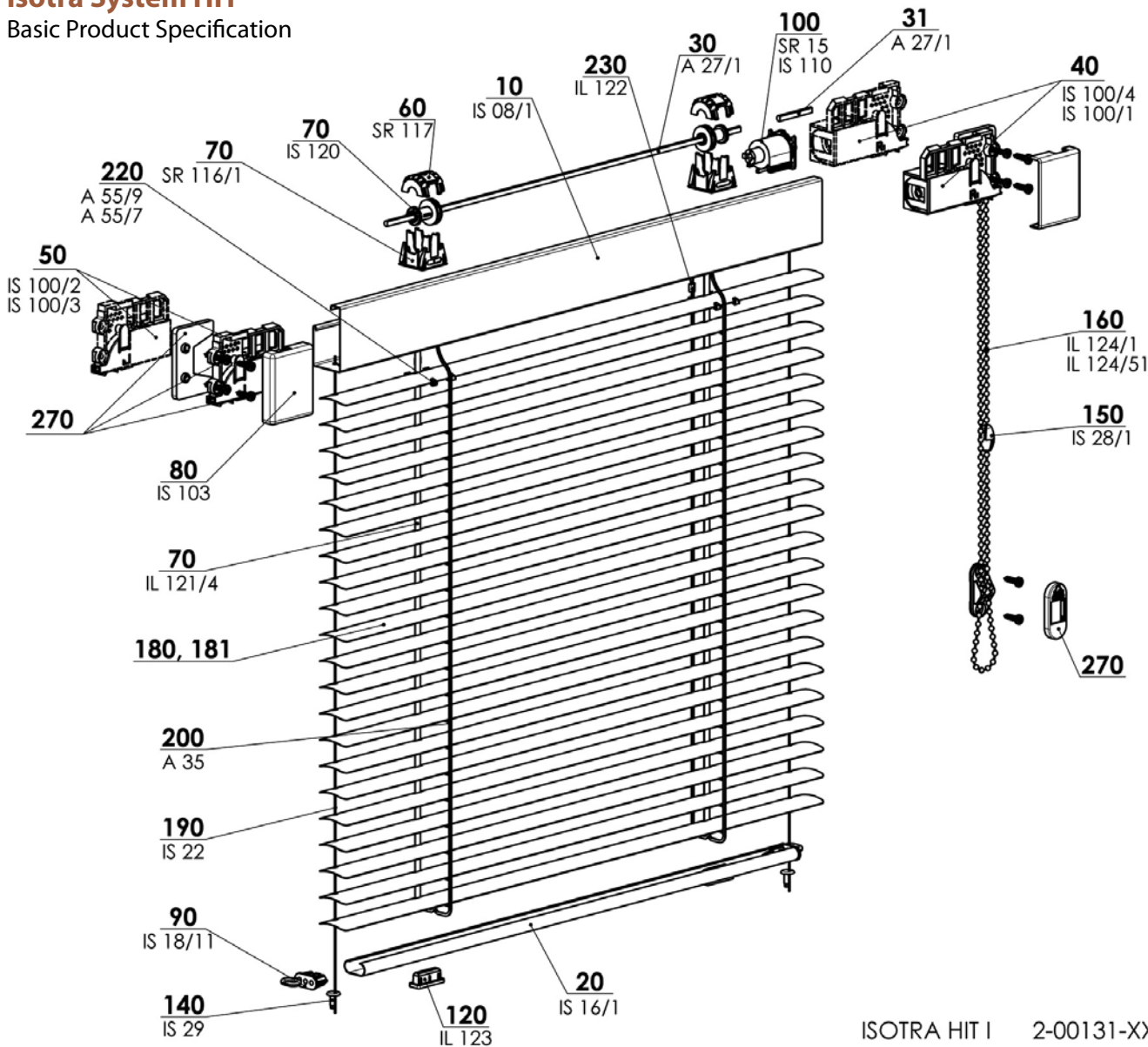


- ▲ Optimum quality – price ratio
- ▲ Low operating force
- ▲ Profile color design according to the RAL color scheme

**ISOTRA** *Quality*

# Isotra System HIT

## Basic Product Specification



ISOTRA HIT I 2-00131-XXXX-G

### Control

Chain – thin chain with diameter of 3.2 mm for pulling up, pulling down and tilting (color consistent with the profile color).

**Operation length** – enter the operation length in mm. If the value « 0 » is entered, or if the value is not filled in, the length of operation is automatically 2/3 of the height of blind.

ATTENTION : in case of using planetary gearing – the operation length depends on the height of the blind.

### Specification

	Upper profile	Bottom Profile	Slat			Side Guiding	Installation	Brake
			Design	Width (mm)	Thickness			
Commercial Name	IS 08/1	IS 16/1	all-shading	25	0,21 / 0,18	nylon ø 0.8 mm	in window wing	needs to be ordered
Dimension (mm)	25 x 45 x 0,4	19 x 8 x 0,4	standard	25	0,21 / 0,18			
Material	Fe	Fe	standard	16	0,21			
Color	Standard: RAL 1002 Beige RAL 1015 Ivory RAL 7016 anthracite gray RAL 8003 Golden Oak RAL 8004 Chestnut RAL 8014 Brown RAL 9006 Silver RAL 9010 White	Extra Charges: Other RAL Isotra System Decoral - according to actual sampler	according to current color scheme			nylon - clear		

Plastic components in profile color.

Colors of ladder and cords are consistent with profile color.

### Standard Dimensions

Minimum Width (mm)	Maximum Width (mm)	Maximum Height (mm)	Maximum Guaranteed Area
300	2000	2200	2,5 m <sup>2</sup> (4,4 m <sup>2</sup> )*

We do not make atypical designs.

\* with Planet gearing box

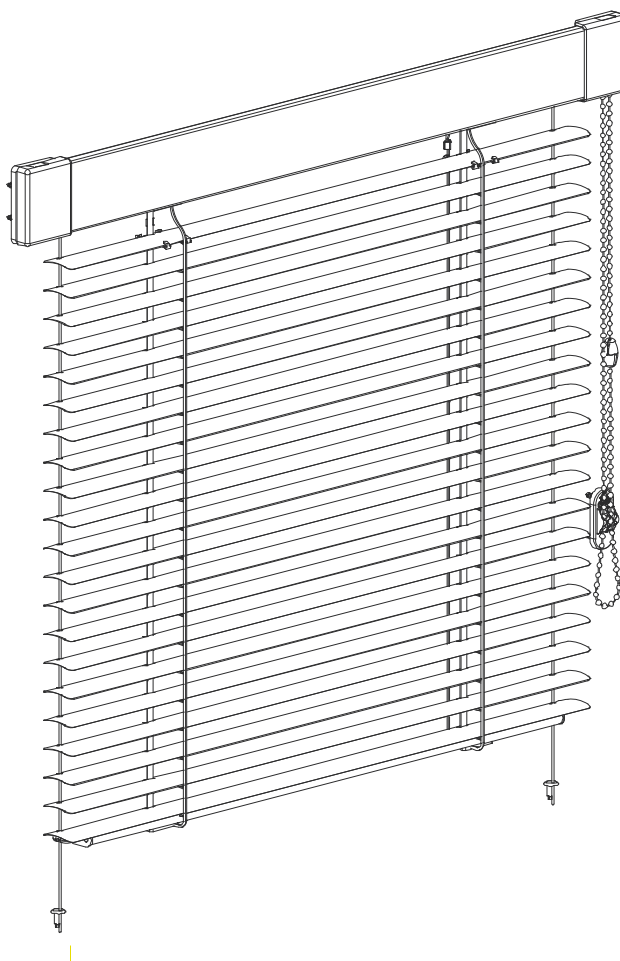
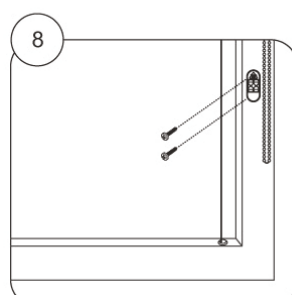
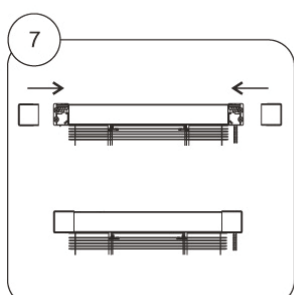
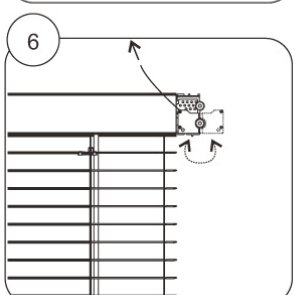
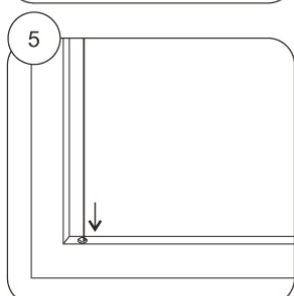
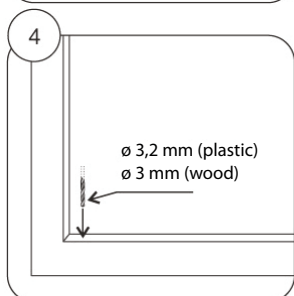
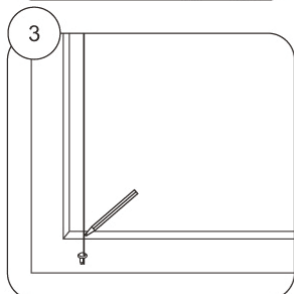
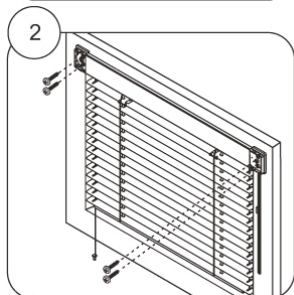
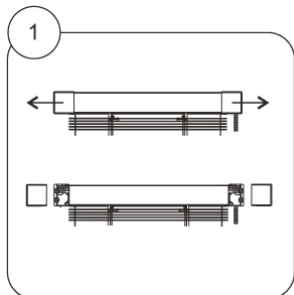
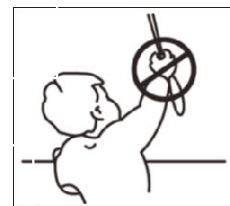
## Isotra HIT 2-00131-XXXX

Position	Item name	Business name	Drawing number
10	Head rail - Fe	IS 08/1	3-00033-xxxx
20	Bottom rail - Fe	IS 16/1	3-00052-xxxx
30	Flat wire Fe/Zn	A 27/1	6-000144-0000
40	Device board with cover - right	IS 100/4	2-00031-0000
40	Device board complete - right	IS 100/1	2-00029-0000
50	Device board with cover - left	IS 100/2	2-00032-0000
50	Device board complete - left	IS 100/3	2-00030-0000
60	Bed cover II (cuts H)	SR 117	3-00345-0000
70	Flat cord roll II. (for flat wire)	IS 120	2-00001-0000
70	Flat cord	IL 121/4	6-002270-xxxx
70	Narrow bed	SR 116/1	3-01502-xxxx
80	Cover	IS 103	3-00003-xxxx
90	Endcap for bottom rail	IS 18/11	2-00006-0000
100	Brake II (for flat wire)	SR 15	2-00177-0000
100	Planet gearing box-flat wire	IS 110	2-01299-0000
120	Flat cord plug	IL 123	2-00012-0000
140	Tightening pin	IS 29	3-00048-xxxx
150	Chain connector set	IS 28/1	2-01039-xxxx
160	Chain - thin	IL 124/1	6-000957-xxxx
160	Endless Chain	IL 124/51	6-013335-xxxx
180-181	Al slat		See Interior slat swatch
190	Nylon 0.8mm	IS 22	6-000964-0000
200	Ladder 22x28	A 35 22x28	6-000156-xxxx
200	Ladder 21,5x28	A 35 21,5x28	6-003764-5000
200	Ladder 12x18	A 35 12x18	6-000155-xxxx
200	Ladder 18x28	A 35 18x28	6-000154-xxxx
220	Spacer 25 UNI	A 55/9	3-02092-0000
220	Spacer for slat 16mm (PVC)	A 55/7	3-00861-0000
230	Ladder joint for flat cord	IL 122	3-00359-PU22
270	Accessories		
130	Chain holder	IS 27	2-00004-xxxx
170	Distance pad	IS 26	3-00043-xxxx
240	Screw 3,5x12	IS 24	6-000965-0001
250	Screw 3,5x20mm	IS 24/1	6-000967-0001

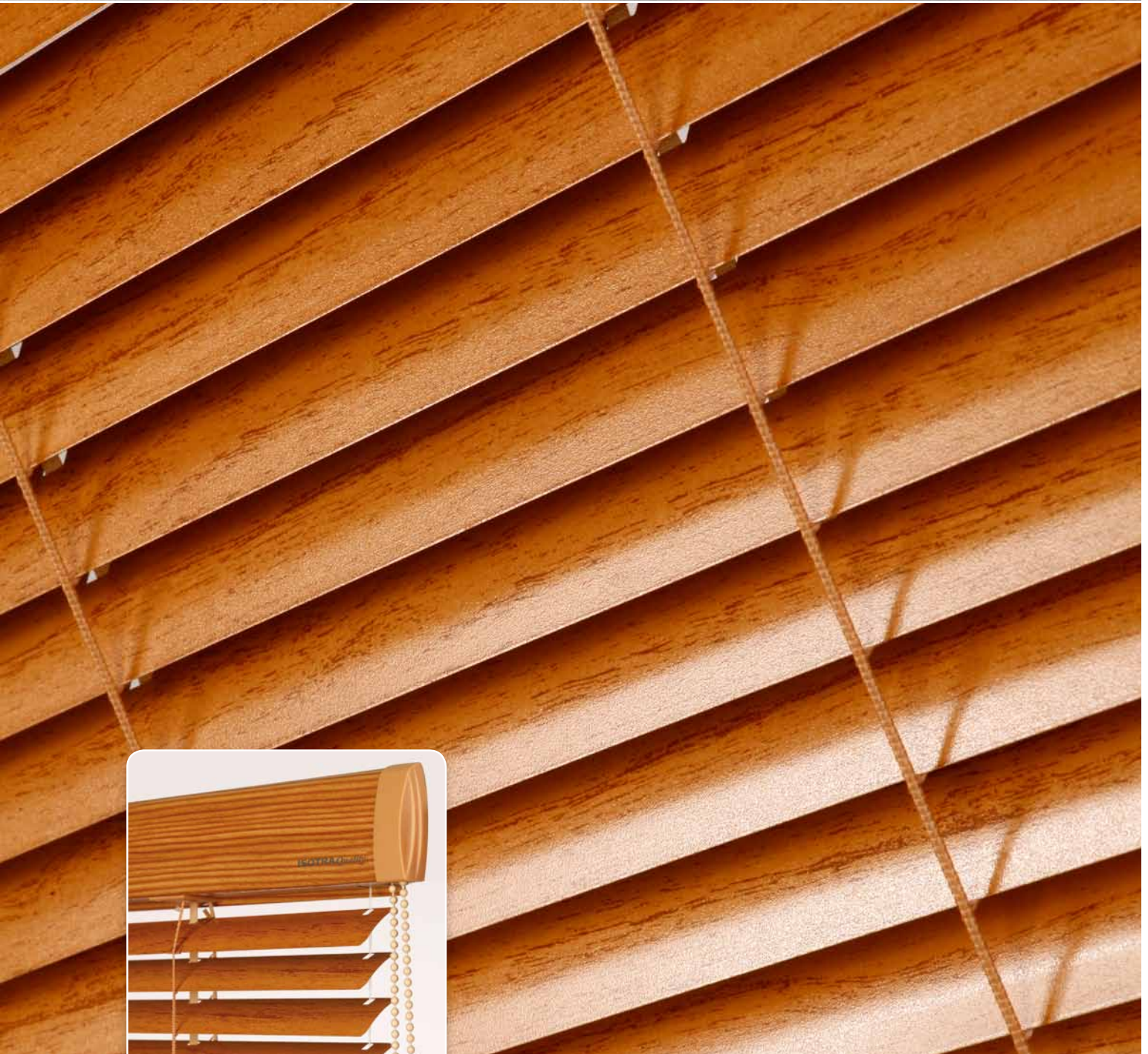
# Isotra System HIT

## Assembly

The Blind is installed according to norm EN 13120 about security elements



# Isotra System HIT II



UPPER PROFILE



BOTTOM PROFILE

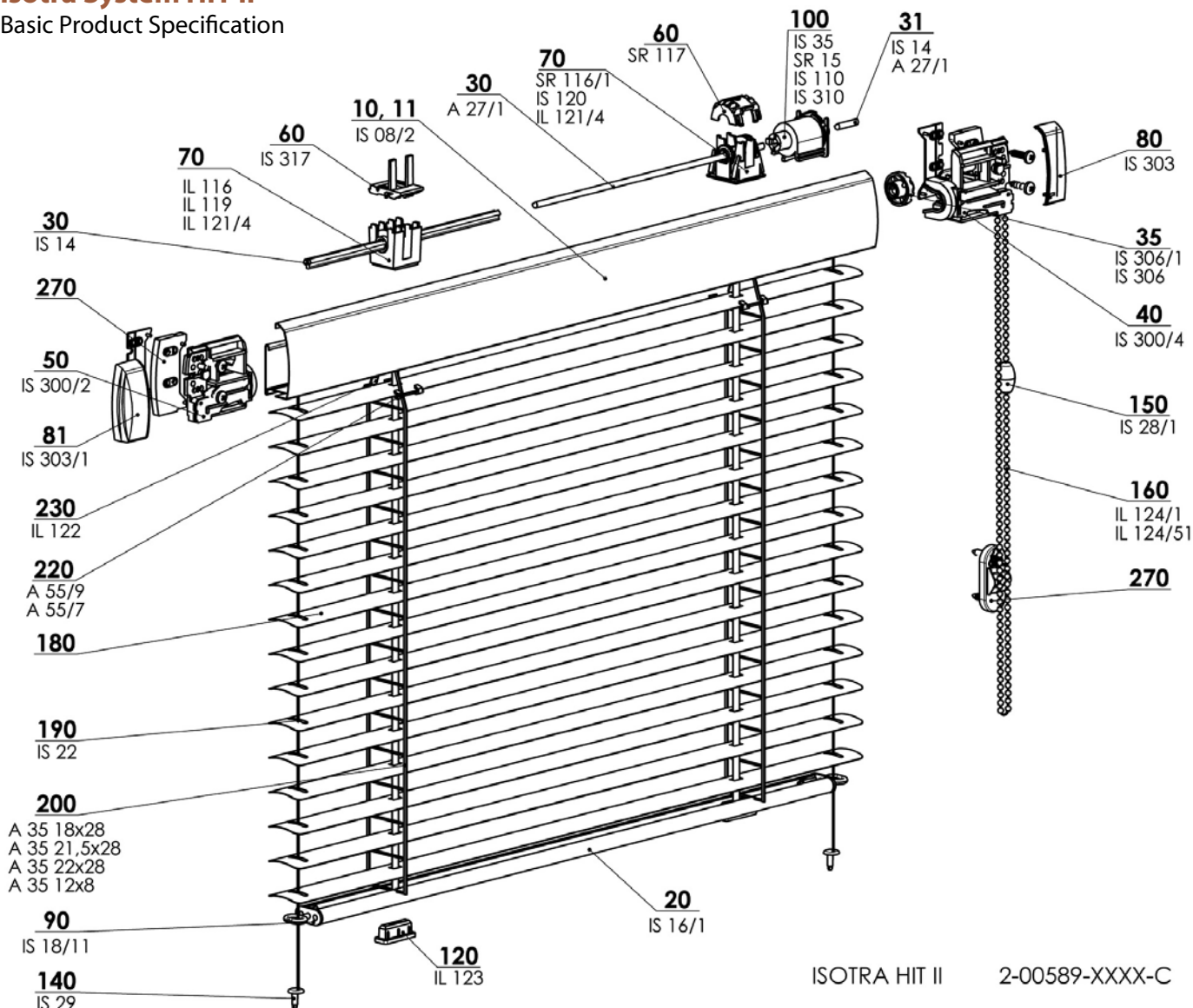


- ▲ Supertemporal design
- ▲ Minimum light penetration between the first slat and upper profile
- ▲ Higher upper profile rigidity
- ▲ Low operating force
- ▲ Rail color design according to the RAL color scheme or renolit-coating

**ISOTRA** *Quality*

# Isotra System HIT II

## Basic Product Specification



### Control

Chain – thin chain with diameter of 3.2 mm for pulling up, pulling down and tilting (color consistent with the profile color).

**Operation length** – enter the operation length in mm. If the value « 0 » is entered, or if the value is not filled in, the length of operation is automatically 2/3 of the height of blind.

ATTENTION : in case of using planetary gearing – the operation length depends on the height of the blind.

### Specification

	Upper profile	Bottom Profile	Slat			Side Guiding	Assembly	Brake
			Design	Width (mm)	Thickness			
<b>Commercial Name</b>	IS 08/2	IS 16/1	all-shading	25	0,21 / 0,18	nylon ø 0.8 mm	in window wing	needs to be ordered
<b>Dimension (mm)</b>	27,5 x 43 x 0,4	19 x 8 x 0,4	standard	25	0,21 / 0,18			
<b>Material</b>	Fe	Fe	standard	16	0,21			
<b>Color</b>	Standard: RAL 1002 Beige RAL 1015 Ivory RAL 7016 Anthracite gray RAL 8003 Golden Oak RAL 8004 Chestnut RAL 8014 Brown RAL 9006 Silver RAL 9010 White	Extra Charges: Other RAL Renolit - according to actual sampler Isotra System Decoral - according to actual sampler	according to current color scheme			nylon - clear		

Plastic components in profile color.

Colors of ladder and cords are consistent with profile color.

### Standard Dimensions

Minimum Width (mm)	Maximum Width (mm)	Maximum Height (mm)	Maximum Guaranteed Area
300	2000	2200	2,5 m <sup>2</sup> (4,4 m <sup>2</sup> )*

We do not make atypical designs.

\* with Planet gearing box

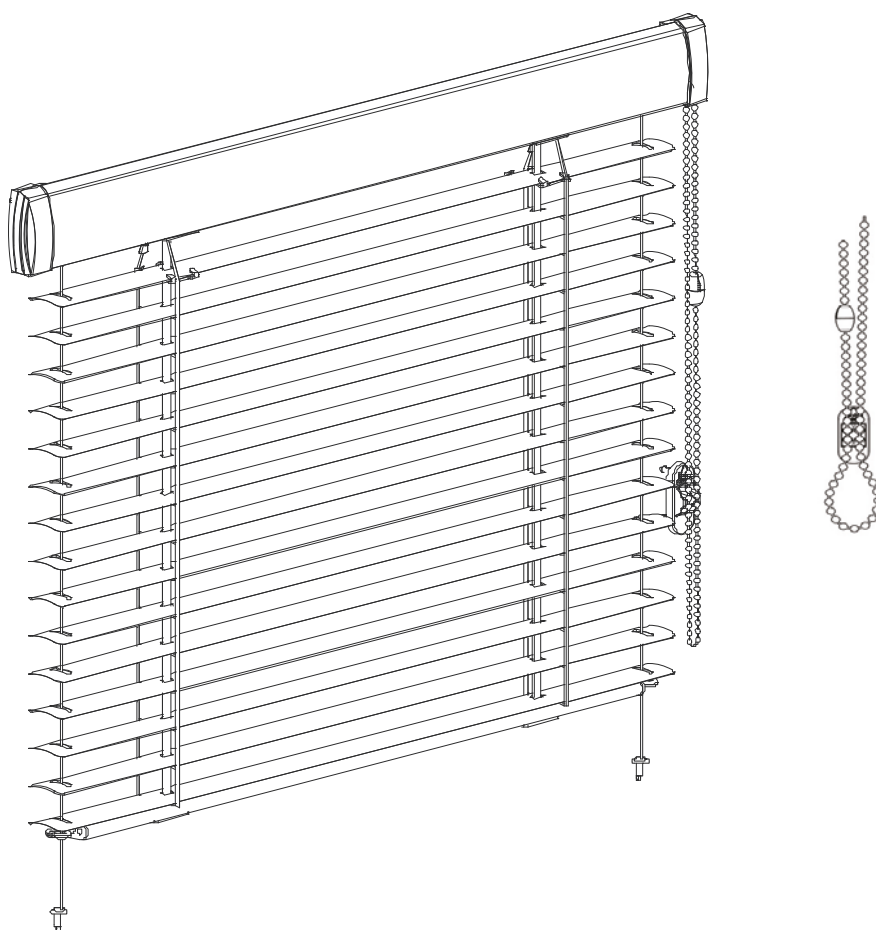
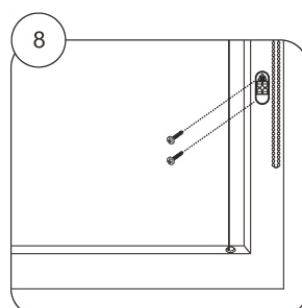
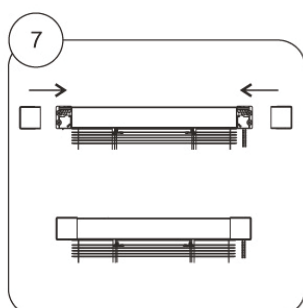
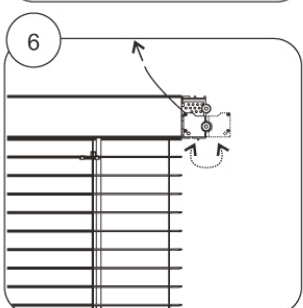
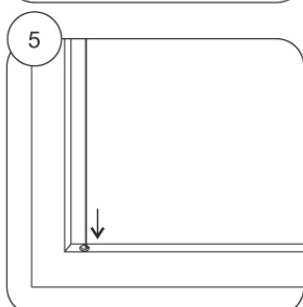
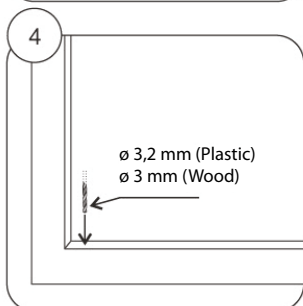
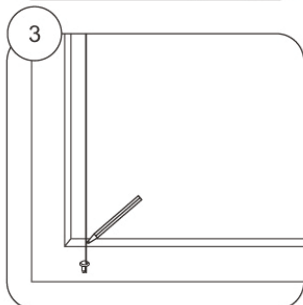
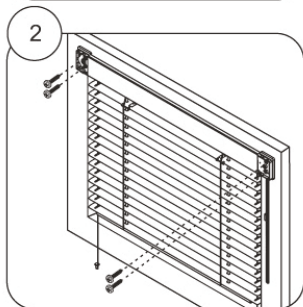
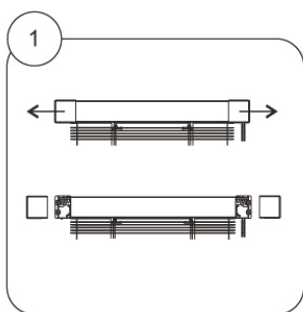
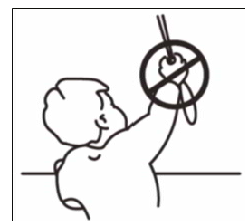
## Isotra HIT II 2-00589-XXXX

Position	Item name	Business name	Drawing number
10-11	Head rail round - Fe	IS 08/2	3-01480-xxxx
20	Bottom rail - Fe	IS 16/1	3-00052-xxxx
30	Tilt rod - triangular	IS 14	7-300050-0000
30	Flat wire Fe/Zn	A 27/1	6-000144-0000
35	Wheel - triangular wire	IS 306/1	3-01495-0000
35	Wheel - flat wire	IS 306	3-01494-0000
40	Device board, right	IS 300/4	3-01492-xxxx
50	Device board, left	IS 300/2	3-01493-xxxx
60	Holder bed - round profile	IS 317	3-01501-0000
60	Bed cover II (cuts H)	SR 117	3-00345-0000
70	Flat cord	IL 121/4	6-002270-xxxx
70	Flat cord roll (for triangular wire)	IL 119	2-00011-0000
70	Flat cord bed	IL 116	3-00072-xxxx
70	Flat cord roll II. (for flat wire)	IS 120	2-00001-0000
70	Narrow bed	SR 116/1	3-01502-xxxx
80	Cover, right	IS 303	3-01496-xxxx
81	Cover, left	IS 303/1	3-01497-xxxx
90	Endcap for bottom rail	IS 18/11	2-00006-0000
100	Brake "Isotra" II (for triangular wire)	IS 35	2-00130-0000
100	Brake II (for flat wire)	SR 15	2-00177-0000
100	Gearing box-flat wire	IS 110	2-01299-0000
100	Gearing box - 3HR	IS 310	2-01144-0000
120	Flat cord plug	IL 123	2-00012-0000
140	Tightening pin	IS 29	3-00048-xxxx
150	Chain connector set	IS 28/1	2-01039-xxxx
160	Chain - thin	IL 124/1	6-000957-xxxx
180-181	Al slat		See Interior slat swatch
190	Nylon 0.8mm	IS 22	6-000964-0000
200	Ladder 22x28	A 35 21,5x28	6-003764-5000
200	Ladder 21,5x28	A 35 22x28	6-000156-xxxx
200	Ladder 12x18	A 35 12x18	6-000155-XXXX
200	Ladder 18x28	A 35 18x28	6-000154-XXXX
220	Spacer 25 UNI	A 55/9	3-02092-0000
220	Spacer for slat 16mm (PVC)	A 55/7	3-00861-0000
230	Ladder joint for flat cord	IL 122	3-00359-PU22
270	Accessories HIT II		
45	Distance pad 1mm - right	IS 326/3	3-01741-xxxx
55	Distance pad 1mm - left	IS 326/4	3-01742-xxxx
170	Distance pad, right	IS 326/1	3-01499-xxxx
171	Distance pad, left	IS 326/2	3-01500-xxxx
240, 250	Screw 3,5x12	IS 24	6-000965-0001
250	Screw 3,5x20mm	IS 24/1	6-000967-0001
130	Chain holder	IS 27	2-00004-xxxx

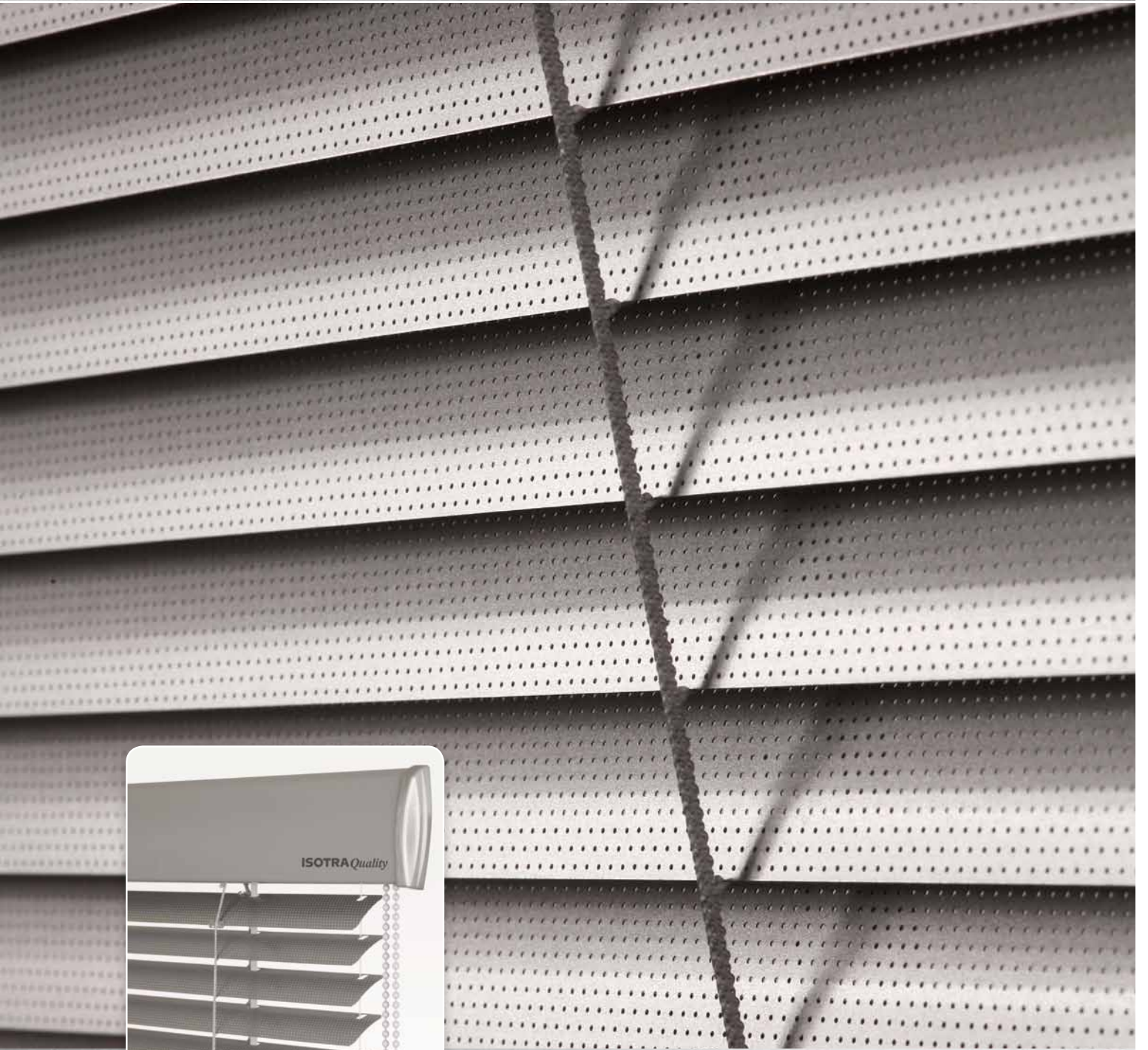
# Isotra System HIT II

## Assembly

The Blind is installed according to norm EN 13120 about security elements



# Isolite Plus



UPPER PROFILE



BOTTOM PROFILE



- ▲ Elegant design
- ▲ Profiles made of extruded aluminum
- ▲ Profile color design according to the RAL color scheme or renolit-coating
- ▲ Electrical control option
- ▲ Planet gearing box for easy control of oversized blinds

**ISOTRA** *Quality*

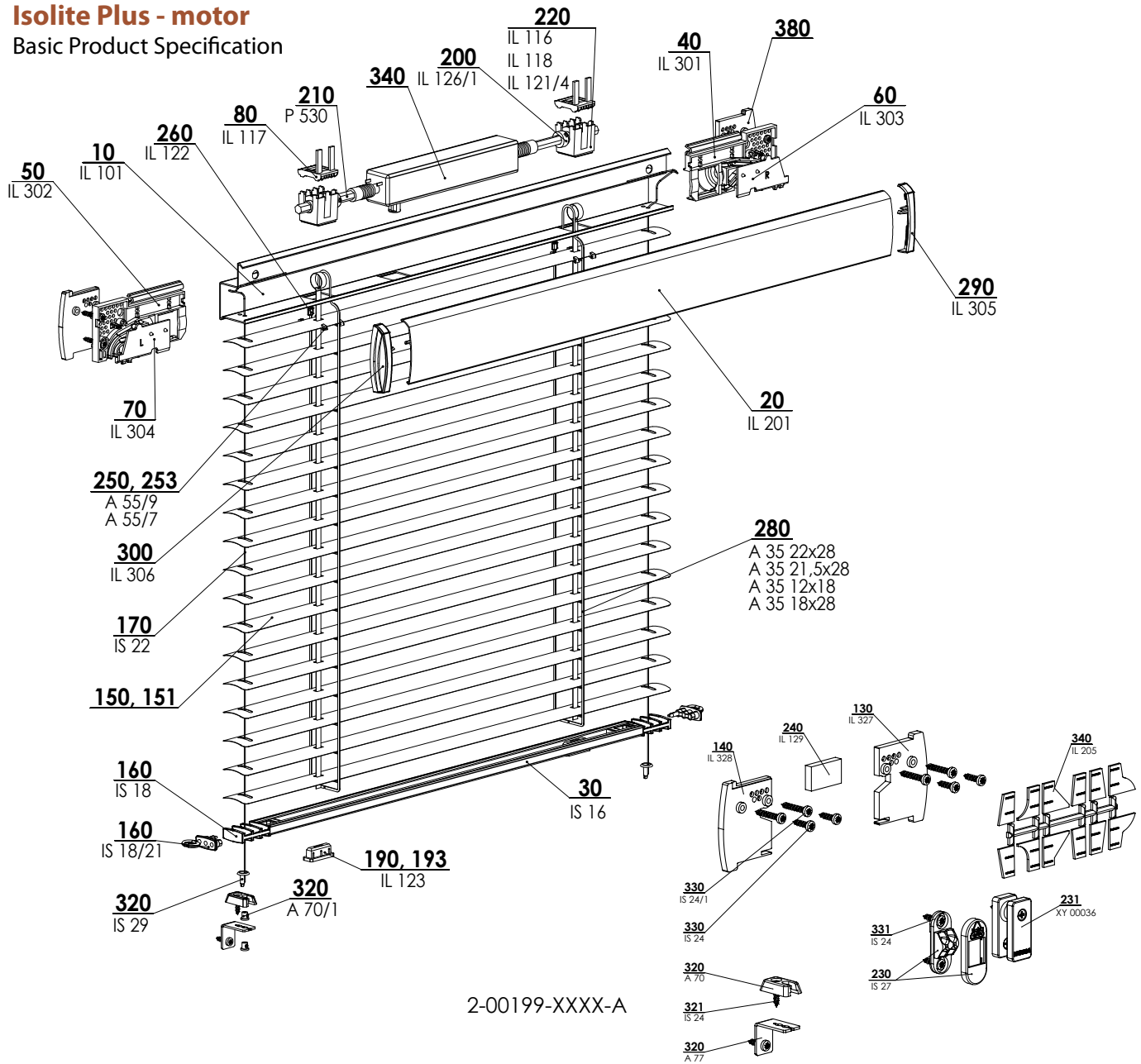


## Isotra System Isolite Plus 2-00164-XXXX

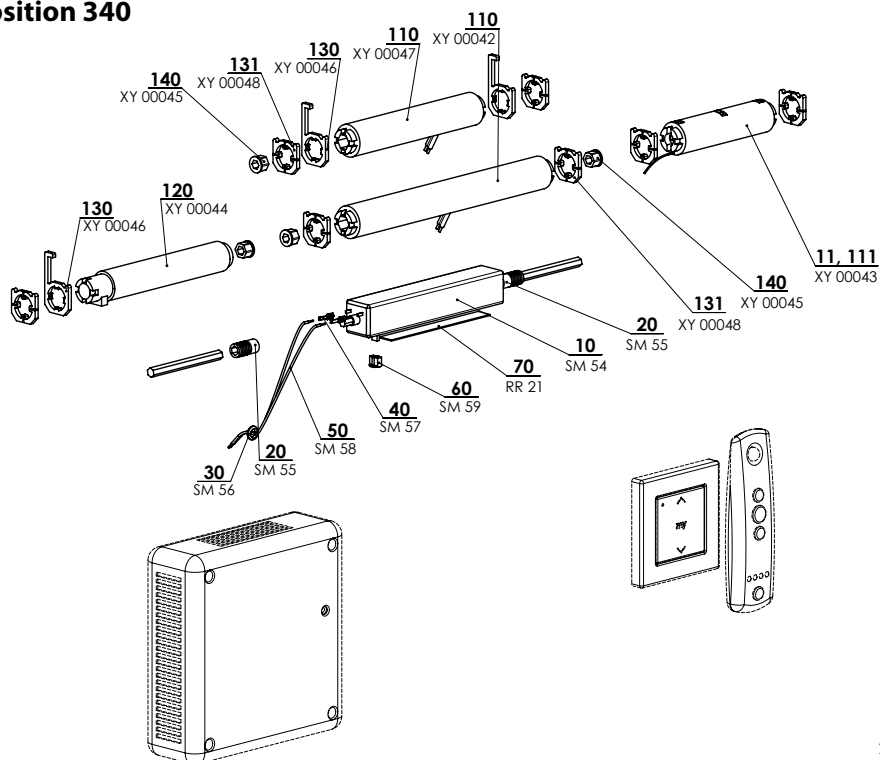
Position	Item name	Business name	Drawing number
10	Head rail - Al	IL 101	7-300087-xxxx
20	Cover profile - Al	IL 201	3-00104-xxxx
30	Bottom rail - Al	IS 16	7-300051-xxxx
40	Device board - right - sloped	IL 301/3	3-01957-xxxx
40	Device board - right	IL 301	3-00090-xxxx
41	Device board - right	IL 301	3-00090-xxxx
50	Device board - left	IL 302	3-00091-xxxx
50	Device board - left - sloped	IL 301/4	3-01958-xxxx
51	Device board - left	IL 302	3-00091-xxxx
60	Chain cover - right	IL 303	3-00094-0000
60	Chain cover - right	IL 114	3-00070-0000
70	Chain cover - left	IL 115	3-00071-0000
70	Chain cover - left	IL 304	3-00095-0000
75	Chain cover - square	IL 307	3-01959-0000
80	Holder bed - Al profile	IL 117	3-00073-0000
90	Operating mechanism ISOLITE PLUS with brake - right	IL 302/1	2-00183-xxxx
91	Operating mechanism ISOLITE PLUS with brake - left	IL 301/1	2-00184-xxxx
100	Epicyclic coupling cover	IL 109	3-00064-0000
120	Wheel	IS 40	3-00049-0000
120	Wheel	IS 06	3-00031-0000
121	Coupling	IS 07	3-00022-0000
122	Epicyclic gear	IL 110	2-00009-0000
123	Cartridge for connector	IL 111/1	3-00357-0000
150-151	Al Slat		See Interior slat swatch
160	Endcap for Al bottom	IS 18	3-00040-xxxx
170	Nylon 0.8mm	IS 22	6-000964-0000
180	Chain connector set	IS 28/1	2-01039-xxxx
190	Flat cord plug	IL 123	2-00012-0000
210	Tilt rod - triangular	IS 14	7-300050-0000
220	Flat cord bed	IL 116	3-00072-xxxx
220	Flat cord	IL 121/4	6-002270-xxxx
220	Flat cord roll - hexagonal	IL 119	2-00011-0000
250	Spacer 25 UNI	A 55/9	3-02092-0000
250	Spacer for slat 16mm (PVC)	A 55/7	3-00861-0000
260	Ladder joint for flat cord	IL 122	3-00359-PU22
270	Operating ball chain	IS 12/1	6-000962-xxxx
270	Chain - thin	IL 124/1	6-000957-xxxx
270	Endless chain (4,5x6x2000mm) 1,00m control	IS 12/51	6-008188-0020
270	Endless chain (4,5x6x2000mm) Metal 1,00m control	IS 12/2	6-008192-0020
280	Ladder 22x28	A 35 22x28	6-000156-xxxx
280	Ladder 21,5x28	A 35 21,5x28	6-003764-5000
280	Ladder 12x18	A 35 12x18	6-000155-XXXX
280	Ladder 18x28	A 35 18x28	6-000154-XXXX
290	Side cover - right	IL 305	3-00092-xxxx
300	Side cover - rechts	IL 306	3-00093-xxxx
320	Tightening pin	IS 29	3-00048-xxxx
350	Eccentric lock	IL 212	2-00013-xxxx
360	Metal ring	IL 126	2-00072-0000
380	Accessories Isolite Plus		
130	Distance pad - right	IL 327	3-00096-xxxx
140	Distance pad - left	IL 328	3-00097-xxxx
230	Chain holder	IS 27	2-00004-xxxx
231	Fixed pulley	XY 00036	2-01045-0000
240	Middlepad	IL 129	3-00083-xxxx
320	Bracket - fixed	A 70	3-00129-0000
320	Fixing bracket	A 77	6-000183-0000
321, 331	Screw 3,5x12	IS 24	6-000965-0001
330	Screw 3,5x20	IS 24/1	6-000967-0001
340	Glazing cover	IL 205	3-00098-xxxx

# Isolite Plus - motor

## Basic Product Specification



## Set motor - position 340



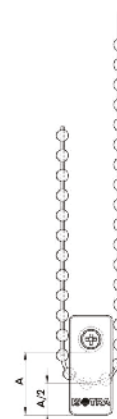
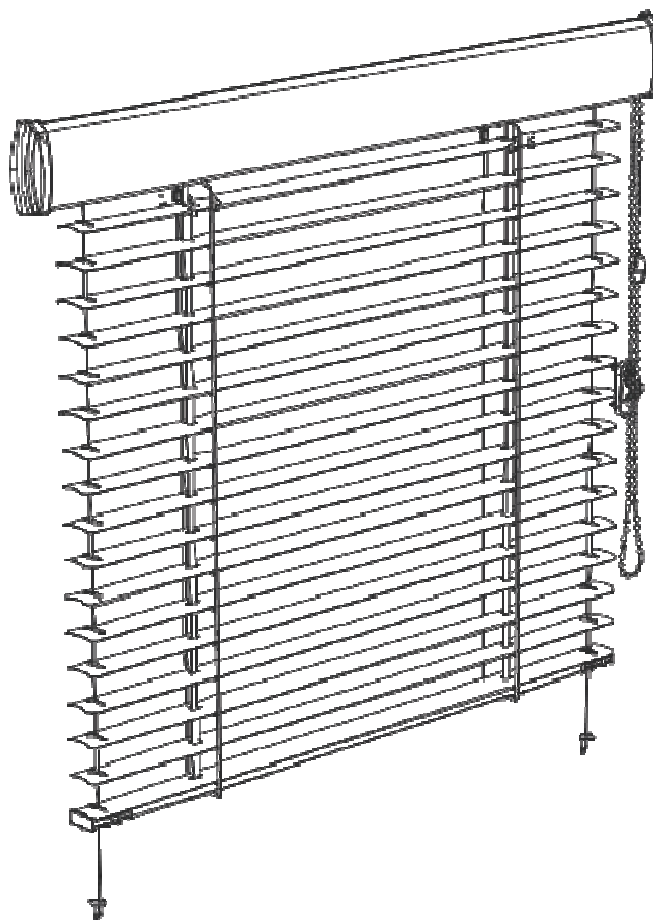
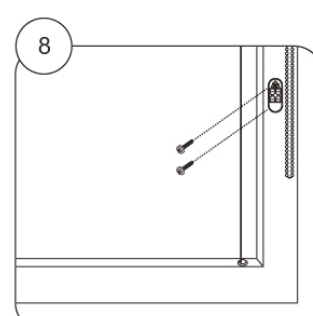
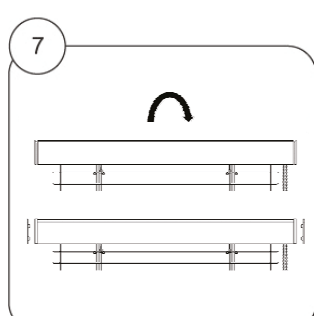
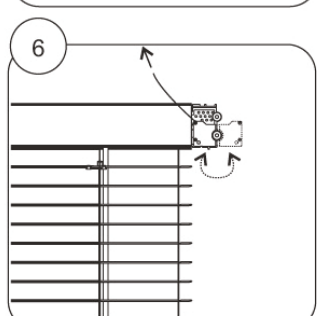
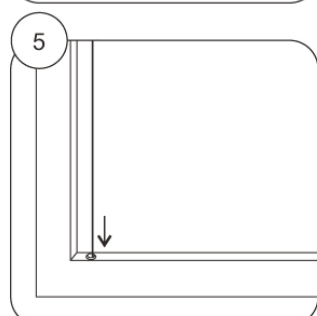
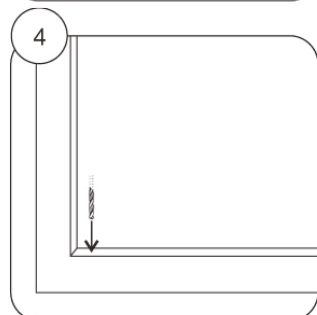
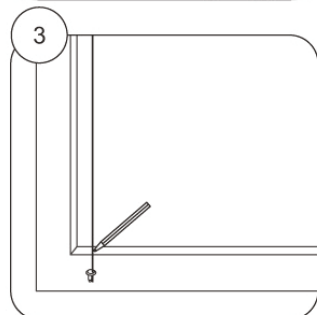
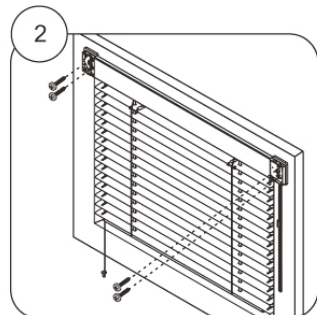
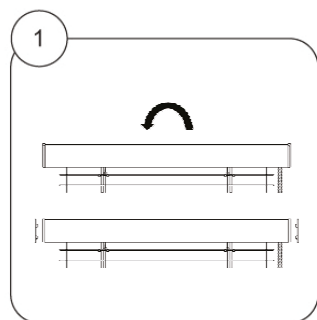
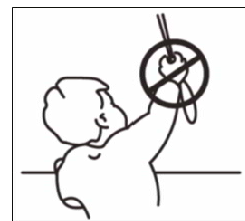
**Isolite Plus - motor 2-00199-XXXX**

Position	Item name	Business name	Drawing number
10	Head rail - Al	IL 101	7-300087-xxxx
20	Cover profile - Al	IL 201	7-300104-xxxx
30	Bottom rail - Al	IS 16	7-300051-xxxx
40	Device board - right	IL 301	3-00090-xxxx
50	Device board - left	IL 302	3-00091-xxxx
60	Chain cover - right	IL 303	3-00094-0000
70	Chain cover - left	IL 304	3-00095-0000
80	Holder bed - Al profile	IL 117	3-00073-0000
150-151	Al Slat		See Interior slat swatch
160	Endcap for Al bottom	IS 18/21	2-00007-xxxx
160	Endcap for Al bottom	IS 18	3-00040-xxxx
170	Nylon 0.8mm	IS 22	6-000964-0000
190	Flat cord plug	IL 123	2-00012-0000
193	Flat cord plug	IL 123	2-00012-0000
200	Locking ring hexagonal - 6mm	IL 126/1	6-010981-0000
210	Wire hexagonal, 6mm	P 530	6-001278-0000
220	Flat cord roll - hexagonal	IL 118	2-00010-0000
220	Flat cord bed	IL 116	3-00072-xxxx
220	Flat cord	IL 121/4	6-002270-xxxx
250	Spacer 25 UNI	A 55/9	3-02092-0000
253	Spacer for slat 16mm (PVC)	A 55/7	3-00861-0000
260	Ladder joint for flat cord	IL 122	3-00359-PU22
280	Ladder 12x18	A 35 12x18	6-000155-xxxx
280	Ladder 18x28	A 35 18x28	6-000154-xxxx
280	Ladder 21,5x28	A 35 21,5x28	6-003764-5000
280	Ladder 22x28	A 35 22x28	6-000156-xxxx
290	Side cover - right	IL 305	3-00092-XXXX
300	Side cover - rechts	IL 306	3-00093-XXXX
320	Tightening pin	IS 29	3-00048-xxxx
320	Clamping screw	A 70/1	6-011204-PU22
340	Motor		
11,111	RTS 25 DC Modulis, receiver	XY 00043	6-002159-0000
30	Rubber bushing F0720 GM-0705	SM 56	6-002165-0000
40	Connector RF 7796KR	SM 57	6-002166-0000
50	Cable Cu 2 x 0,35 mm - white	SM 58	6-002153-0000
60	End stop cap J1 9x7 mm	SM 59	6-002149-0000
70	Double side adhesive tape	RR 21	6-001310-0000
120	End stop AMS 25	XY 00044	6-002169-0000
130	Distance pad	XY 00046	6-002171-0000
131	Motor - middle drive LW 25 B83	XY 00048	6-008187-0000
140	Motor - side drive LV 25 B64	XY 00045	6-002170-0001
380	Accessories Isolite Plus		
130	Distance pad - right	IL 327	3-00096-xxxx
140	Distance pad - left	IL 328	3-00097-xxxx
231	Fixed pulley	XY 00036	2-01045-0000
240	Middlepad	IL 129	3-00083-xxxx
320	Bracket - fixed	A 70	3-00129-0000
320	Fixing bracket	A 77	6-000183-0000
321, 330, 331	Screw 3,5x12	IS 24	6-000965-0001
330	Screw 3,5x20	IS 24/1	6-000967-0001
340	Glazing cover	IL 205	3-00098-xxxx

# Isolite Plus

## Assembly

The Blind is installed according to norm EN 13120 about security elements



# Neoisolite



UPPER PROFILE



BOTTOM PROFILE

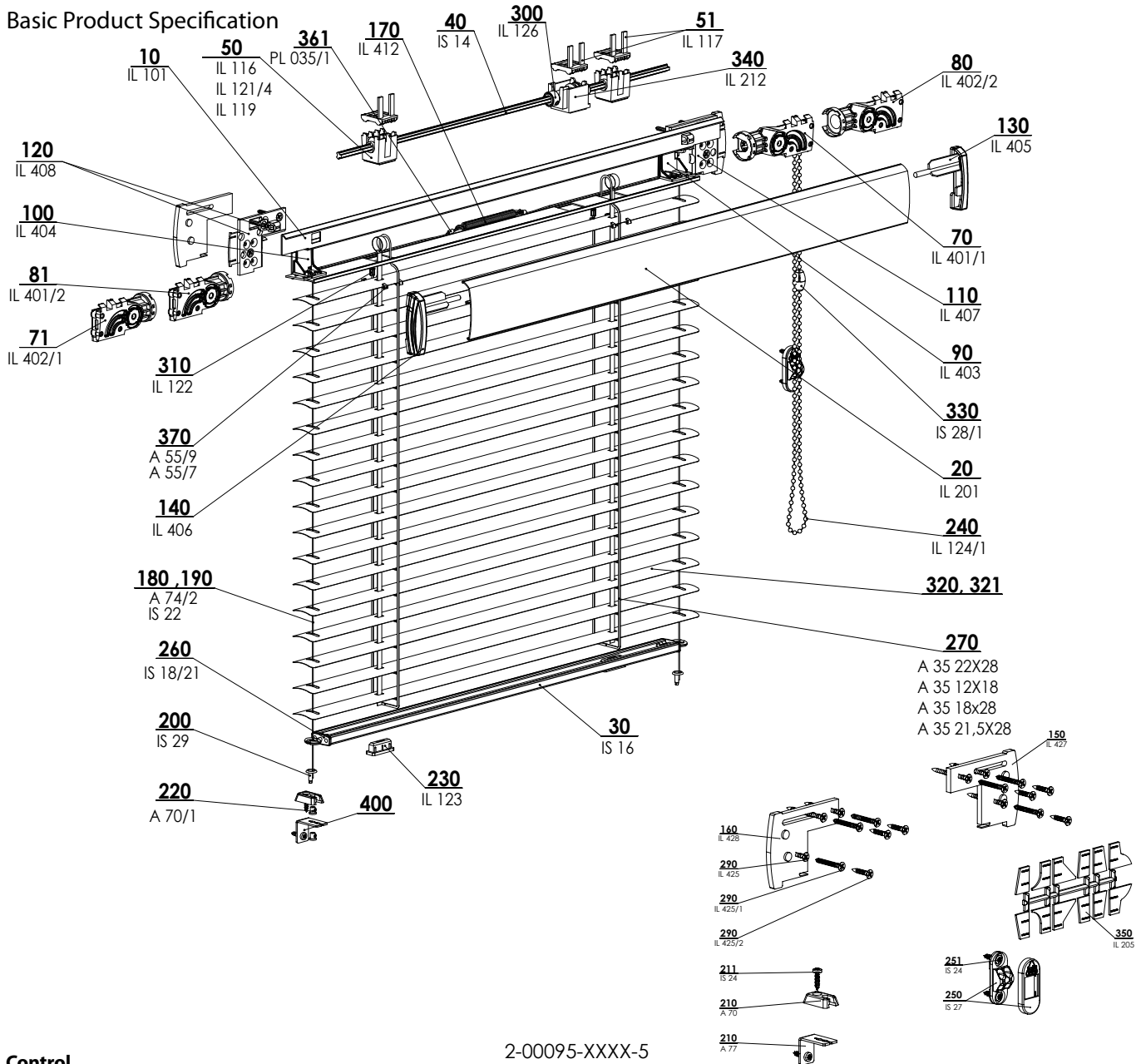


- ▲ Installation using corner attachments
- ▲ Optional blind lifting off to easily wash the window
- ▲ Profiles made of extruded aluminum
- ▲ Profile color design according to the RAL color scheme or renolit-coating

**ISOTRA** *Quality*

# Neoisolite

## Basic Product Specification



2-00095-XXXX-5

### Control

Chain – thin chain with diameter of 3.2 mm for pulling up, pulling down and tilting (color consistent with the profile color)

**Operation length** – enter the operation length in mm. If the value « 0 » is entered, or if the value is not filled in, the length of operation is automatically 2/3 of the height of blind.

ATTENTION : in case of using planetary gearing – the operation length depends on the height of the blind.

### Specification

	Upper profile		Bottom Profile	Slat			Side Guiding	Assembly	Brake
	IL 101 27 x 47 x 0,9	IL 201 10 x 49 x 0,9	IS 16 20 x 8 x 0,9	Design	Width (mm)	Thickness			
<b>Commercial Name</b>	IL 101	IL 201	IS 16	all-shading	25	0,21 / 0,18	nylon ø 0.8 mm	in window wing	ne
<b>Dimension (mm)</b>	27 x 47 x 0,9	10 x 49 x 0,9	20 x 8 x 0,9	standard	25	0,21 / 0,18			
<b>Material</b>	Al	Al	Al	standard	16	0,21			
<b>Color</b>	Standard: RAL 1002 Beige RAL 1015 Ivory RAL 8004 Chestnut RAL 8014 Brown RAL 9006 Silver RAL 9010 White  Extra Charges: Other RAL Renolit - according to actual sampler			according to current color scheme			nylon - clear		

Plastic components in profile color.

Colors of ladder and cords are consistent with slat color.

### Standard Dimensions

Minimum Width (mm)	Maximum Width (mm)	Maximum Height (mm)	Maximum Guaranteed Area
400	2000	2200	2,5 m <sup>2</sup>

We do not make atypical designs.

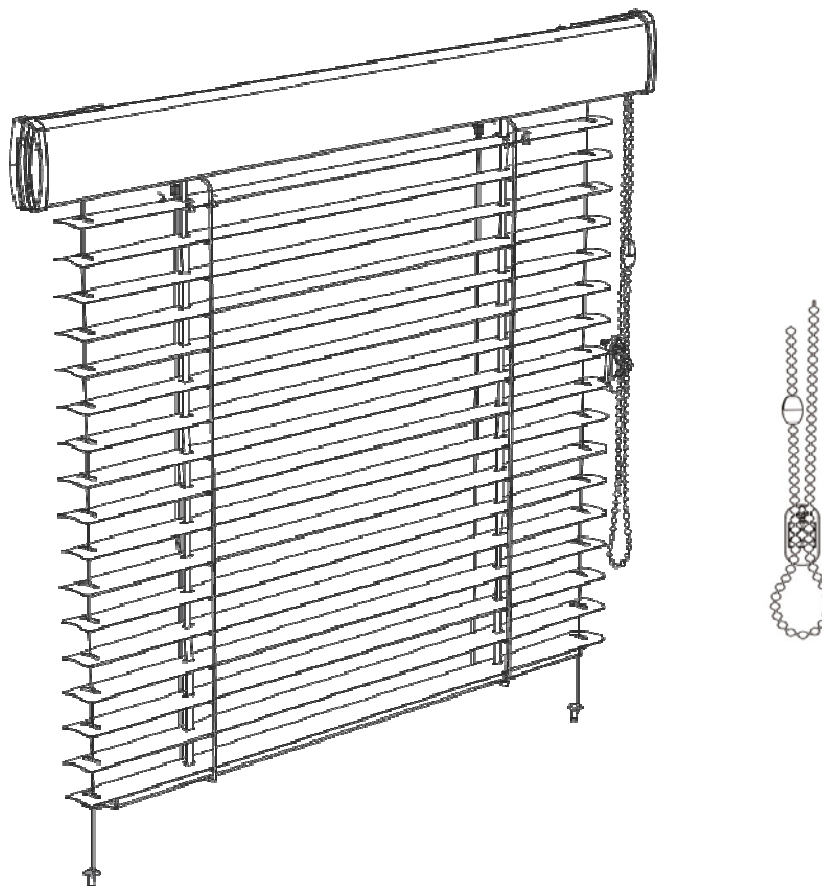
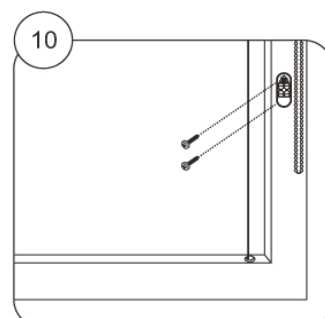
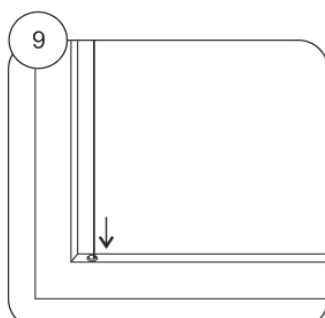
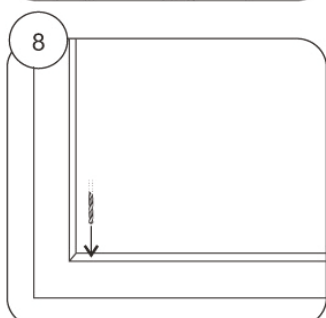
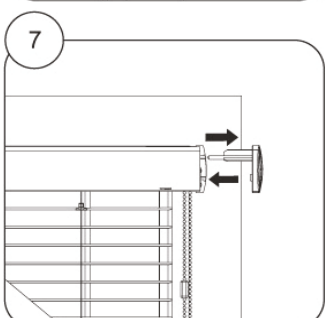
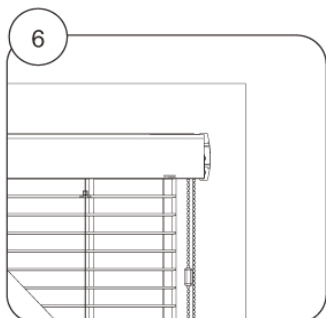
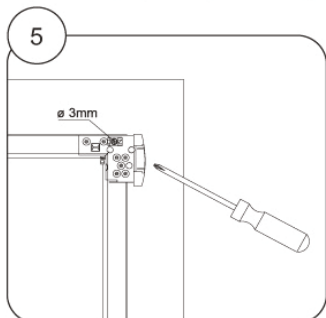
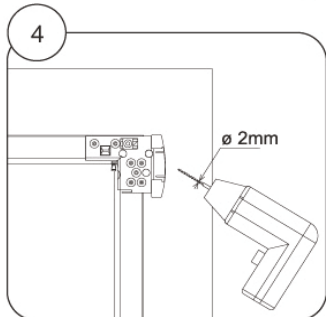
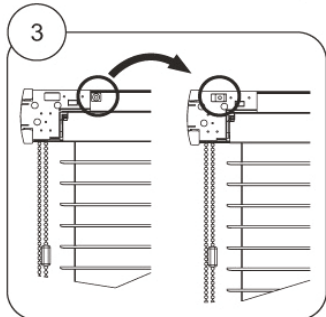
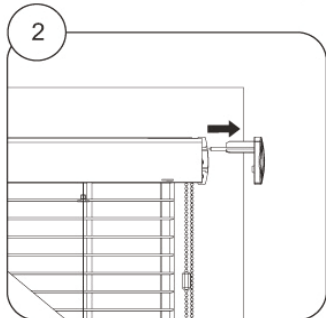
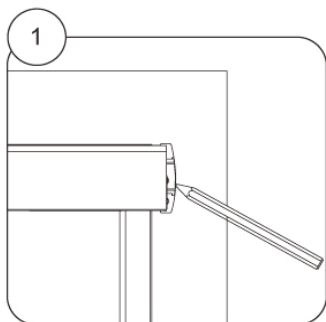
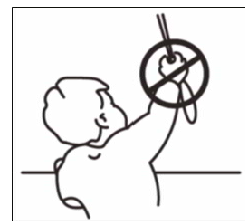
## Isotra System Neosolite 2-00095-XXXX

Position	Item name	Business name	Drawing number
10	Head rail - Al	IL 101	7-300087-xxxx
20	Cover profile - Al	IL 201	3-00104-xxxx
30	Bottom rail - Al	IS 16	7-300051-xxxx
40	Tilt rod - triangular	IS 14	7-300050-0000
50	Flat cord bed	IL 116	3-00072-xxxx
50	Flat cord	IL 121/4	6-002270-xxxx
50	Flat cord roll (for triangular wire)	IL 119	2-00011-0000
51	Holder bed - Al profile	IL 117	3-00073-0000
70	Device board complete - right	IL 401/1	2-00093-xxxx
71	Device board complete - left	IL 402/1	2-00094-xxxx
80	Device board with cover - right	IL 402/2	2-00141-xxxx
81	Device board with cover - left	IL 401/2	2-00142-xxxx
90	Nylon guide - right	IL 403	3-00222-xxxx
100	Nylon guide - left	IL 404	3-00223-xxxx
110	Corner holder - right	IL 407	2-00143-xxxx
120	Corner holder - left	IL 408	2-00144-xxxx
130	Side cover with joint - right	IL 405	3-00231-xxxx
140	Side cover with joint - left	IL 406	3-00232-xxxx
170	Spring - short 0,8x6,25x58x60,5	IL 412	7-300490-PU22
180	Steel wire 0,9mm	A 74/2	6-000181-0000
190	Nylon 0.8mm	IS 22	6-000964-0000
200	Tightening pin	IS 29	3-00048-xxxx
220	Clamping screw	A 70/1	6-011204-PU22
230	Flat cord plug	IL 123	2-00012-0000
240	Chain - thin	IL 124/1	6-000957-xxxx
260	Bottom rail cover - Al	IS 18/21	2-00007-xxxx
270	Ladder 22x28	A 35 22x28	6-000156-xxxx
270	Ladder 21,5x28	A 35 21,5x28	6-003764-5000
270	Ladder 12x18	A 35 12x18	6-000155-XXXX
270	Ladder 18x28	A 35 18x28	6-000154-XXXX
300	Metal ring	IL 126	2-00072-0000
310	Ladder joint for flat cord	IL 122	3-00359-PU22
320-321	Al slat		See Interior slat swatch
330	Chain connector	IS 28/1	2-01039-xxxx
340	Eccentric lock	IL 212	2-00013-xxxx
361	Rivet Al - 3mm	PL 035/1	6-006096-0000
370	Spacer 25 UNI	A 55/9	3-02092-0000
370	Spacer for slat 16mm (PVC)	A 55/7	3-00861-0000
400	Accessories Neosolite		
150	Distance pad - right	IL 427	3-00234-xxxx
160	Distance pad - left	IL 428	3-00235-xxxx
210	Bracket - fixed	A 70	3-00129-0000
210	Fixing bracket	A 77	6-000183-0000
211,251	Screw 3,5x12	IS 24	6-000965-0001
250	Chain holder	IS 27	2-00004-xxxx
290	Screw 3x17mm	IL 425	6-000958-0000
290	Screw 3x25mm	IL 425/1	6-000959-0000
290	Screw 3x35mm	IL 425/2	6-000960-0000
350	Glazing cover	IL 205	3-00098-xxxx

# Neosolite

## Assembly

The Blind is installed according to norm EN 13120 about security elements



# System 25



UPPER PROFILE



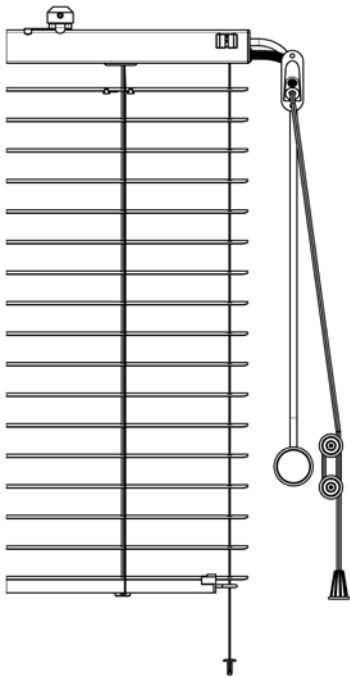
BOTTOM PROFILE



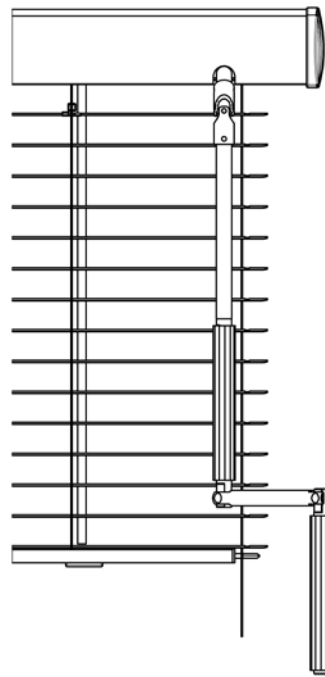
- ▲ Optional with or without snap-on upper profile
- ▲ Variable control system – cord, chain, handle, motor
- ▲ Profile color design according to the RAL color scheme or renolit-coating

**ISOTRA** *Quality*

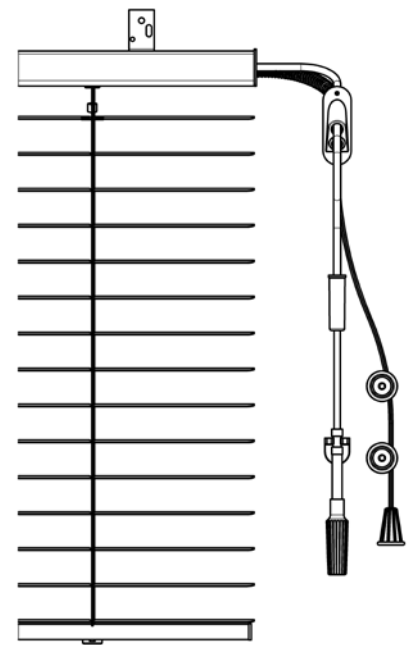
**System 25**  
Control



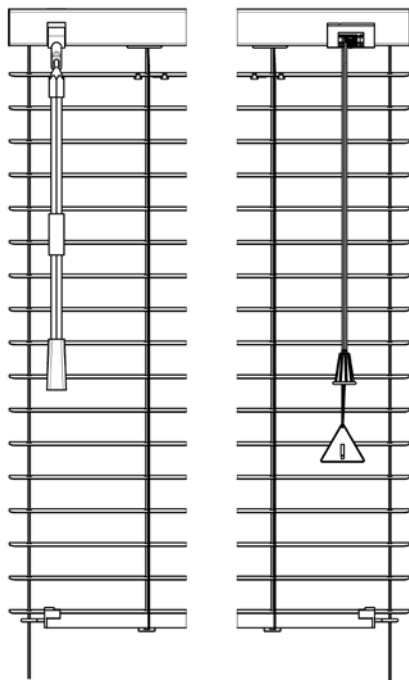
turn-button



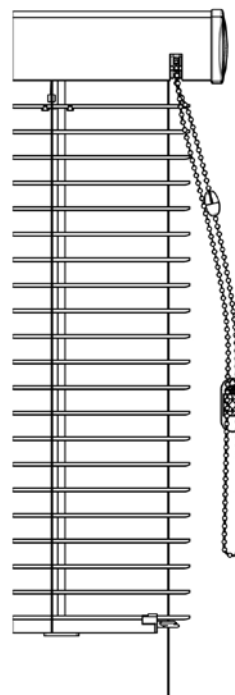
handle



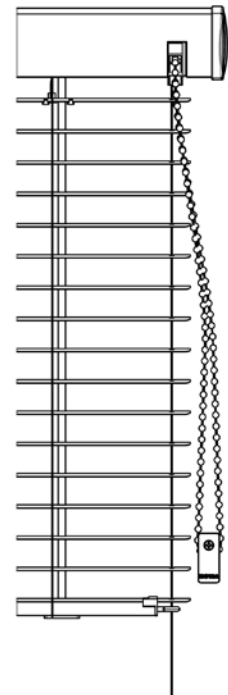
in between glass panels



cord - wand



chain



large

## System 25

### Options

#### SYSTEM 25S - cord - wand, (25SM -between glass, 25SC - front outlet)

Cord for raise and lower (color equal with slat color), hexagonal wand for slats tilting (transparent color)

#### SYSTEM 25SW

In-between glass blind with turn-button for slats tilting.

#### SYSTEM 25R – chain

Chain 3.2mm diameter for raise, lower and tilt (color equal with slat color).

**Operation lenght** – enter the operation lenght in mm. If the value « 0 » is entered, or if the value is not filled in, the lenght of operation is automatically 2/3 of the height of blind.

ATTENTION : in case of using planetary gearing – the operation lenght depends on the height of the blind.

#### SYSTEM 25K – crank

For raise, lower and tilt (grey color)

**Operation lenght** – enter the operation lenght in mm. If the value « 0 » is entered, or if the value is not filled in, the lenght of operation is automatically 2/3 of the height of blind.

ATTENTION : in case of using planetary gearing – the operation lenght depends on the height of the blind.

#### SYSTEM 25L (large) – chain

Chain 4.5mm diameter for raise, lower and tilt (color equal with slat color).

Note: All-shading option only with guidance.

#### SYSTEM 25M – motor

Electric motor: switch for raise, lower and tilt (white color)

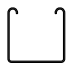


Remote control for raise, lower and tilt (white, silver, black, blue-white color options)

Note: All-shading option only with guidance.

## System 25

### Basic Product Specification

#### Specification

	Upper profile	Bottom Profile	Snap-On Profile	Slat			Side Guiding	Brake
				Design	Width (mm)	Thickness		
Commercial Name Dimension (mm) Material	SR 08/1 25 x 24 x 0,4 Fe 	SR 16/1 25 x 10 x 0,4 Fe 	IL 201 10 x 49 x 0,9 Al 	all-shading standard standard	25 25 16	0,21 / 0,18 0,21 / 0,18 0,21	Nylon ø 0.8 mm Nylon ø 1.2 mm Steel rope ø 0.9 mm	Standard
Color	Standardni: RAL 1002 Beige RAL 1015 Ivory RAL 8003 Golden oak RAL 8004 Chestnut RAL 8014 Brown RAL 9006 Silver RAL 9010 White RAL 1013 pearl white* RAL 7016 anthracite gray* RAL 7047 light gray* RAL 9005 black*			Extra Charges: Other RAL Renolit - according to actual sampler Isotra System Decoral - according to actual sampler			according to current color scheme	Nylon – clear Steel rope – grey

Plastic components in profile color.

Colors of ladder and cords are consistent with profile color.

Atypical designs only for variants 25S, 25SM, 25SC

\*Standard only for 25M system - motor, the others surcharged.

#### Standard Dimensions

	Minimum Width (mm)	Maximum Width (mm)	Maximum Height (mm)	Maximum Guaranteed Area
SYSTEM 25S	300	2000	2200	2,5 m <sup>2</sup>
SYSTEM 25SW	300	2000	2200	2,5 m <sup>2</sup>
SYSTEM 25R	300	2000	2200	2,5 m <sup>2</sup>
SYSTEM 25K	400	2000	2200	2,5 m <sup>2</sup>
SYSTEM 25L	400	2000	2200	4,4 m <sup>2</sup>
SYSTEM 25M	400 (textile tape) 600 (cord)	2000	2200	4,4 m <sup>2</sup>

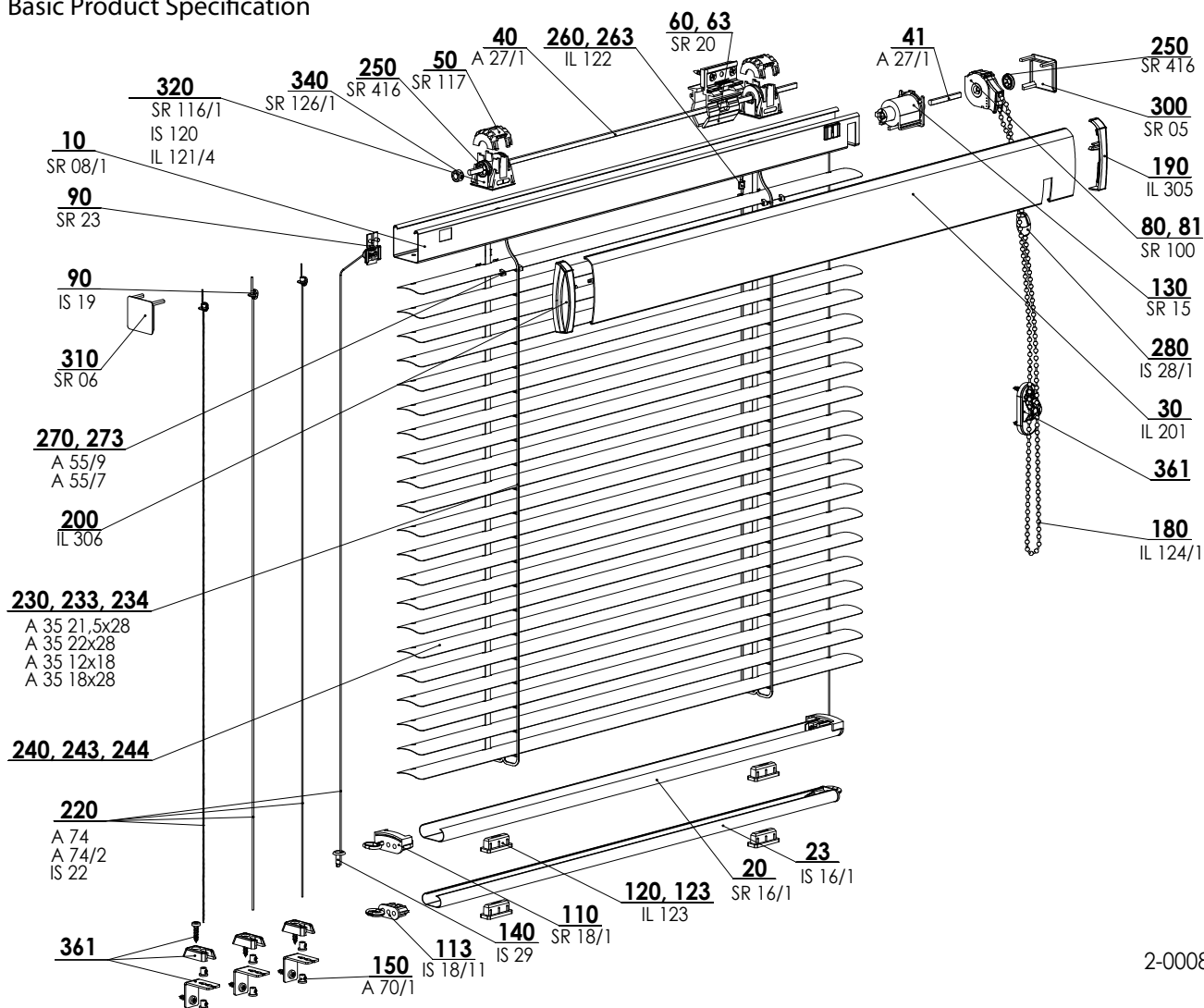
#### Somfy motor for System 25

TEX version	min. width (mm)	receiver
Side motor	550	no
Side motor	680	yes
Center motor	650	no
Center motor	800	yes

CORD version	min. width (mm)	receiver
Side motor	700	no
Side motor	850	yes
Center motor	800	no
Center motor	1050	yes

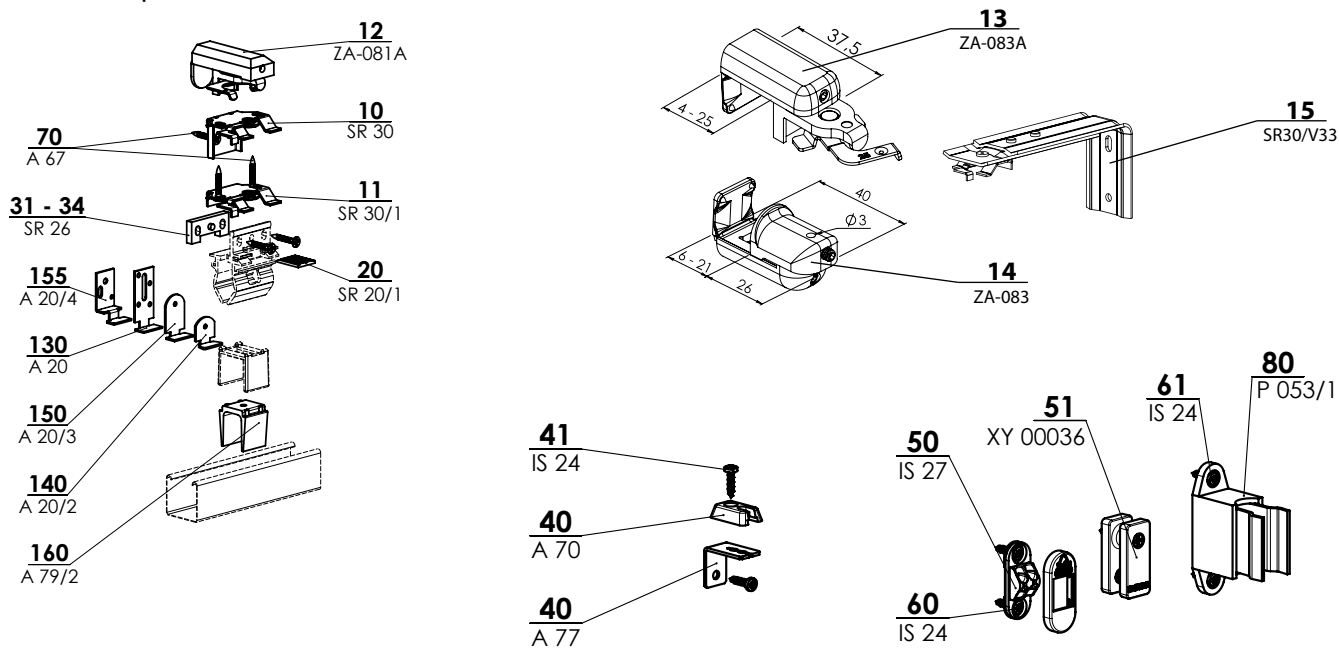
# System 25R – chain

## Basic Product Specification



2-00083-XXXX-F

### Accessories - position 361



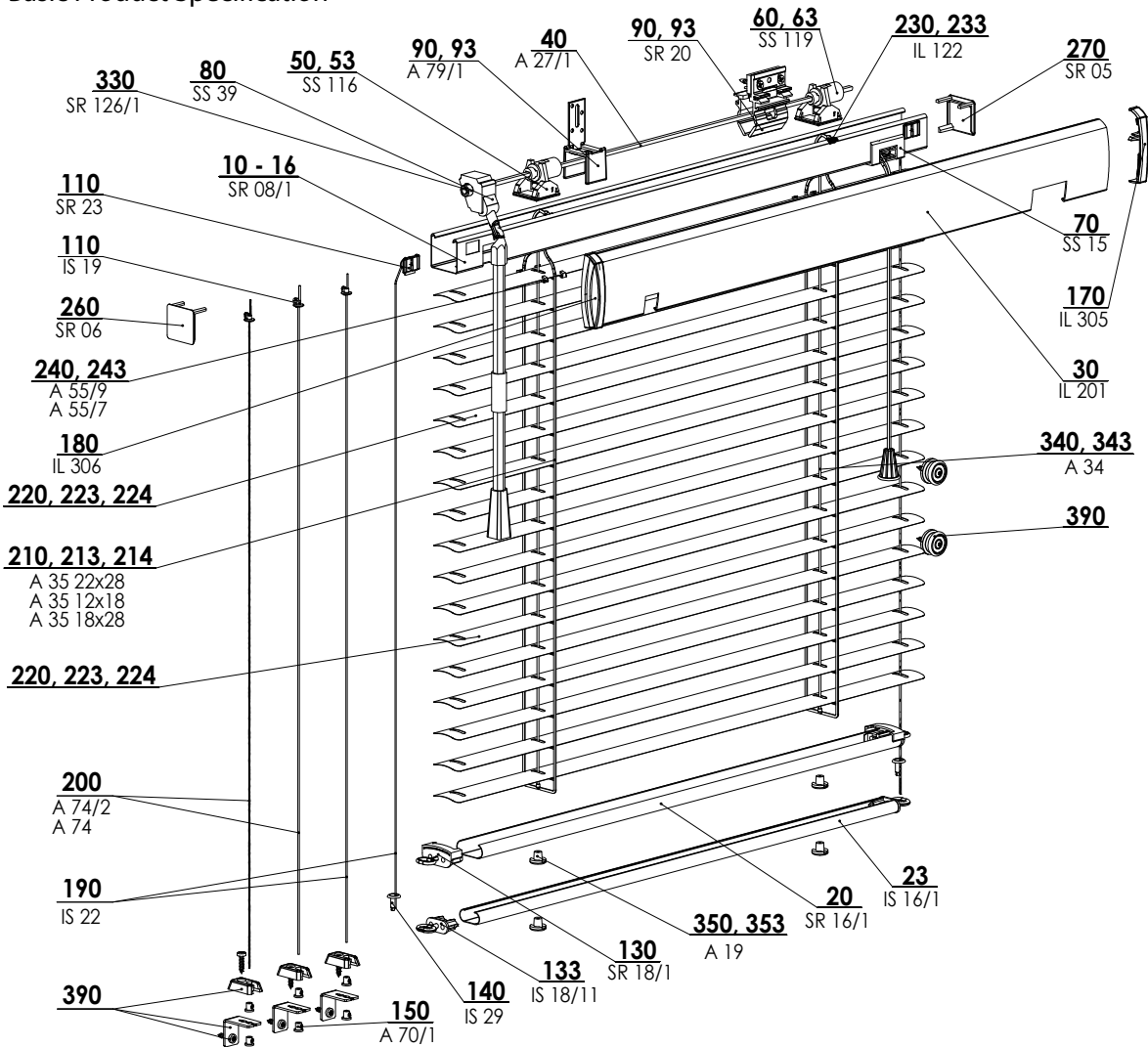
2-00734-0083-E

## System 25R - chain 2-00083-XXXX

Position	Item name	Business name	Drawing number
10	Head rail 25 x 24 Fe	SR 08/1	3-00314-xxxx
20	Bottom rail 25x10 - Fe Halfproduct	SR 16/1	3-00460-xxxx
23	Bottom rail - Fe	IS 16/1	3-00052-xxxx
30	Cover profile - Al	IL 201	3-00104-xxxx
40, 41	Flat wire Fe/Zn	A 27/1	6-000144-0000
50	Bed cover II (cuts H)	SR 117	3-00345-0000
60,63	Holder 25x25	SR 20	3-00303-0000
80-81	Epicyclic gear (25x25 cord)	SR 100	2-00125-xxxx
90	Nylon anchor	SR 23	3-00305-xxxx
90	Ladder connector	IS 19	6-000963-0000
110	Cover of the bottom rail 25x10	SR 18/1	2-00092-0000
113	Endcap for bottom rail	IS 18/11	2-00006-0000
120,123	Flat cord plug	IL 123	2-00012-0000
130	Brake II (for flat wire)	SR 15	2-00177-0000
140	Tightening pin	IS 29	3-00048-xxxx
150	Clamping screw	A 70/1	6-011204-PU22
180	Chain - thin	IL 124/1	6-000957-xxxx
190	Side cover - right	IL 305	3-00446-0000
200	Side cover - left	IL 306	3-00447-0000
220	Cover profile - Al	A 74/2	6-000181-0000
220	Nylon 0.8mm	IS 22	6-000964-0000
220	Nylon 1,2mm	A 74	6-000180-0000
230	Ladder 21,5x28	A 35 21,5x28	6-003764-5000
230	Ladder 22x28	A 35 22x28	6-000156-xxxx
233	Ladder 12x18	A 35 12x18	6-000155-xxxx
234	Ladder 18x28	A 35 18x28	6-000154-xxxx
240, 243, 244	Al slat		See Interior slat swatch
250	Stopring 4mm	SR 416	6-002344-0000
260,263	Ladder joint for flat cord	IL 122	3-00359-PU22
270	Spacer 25 UNI	A 55/9	3-02092-0000
273	Spacer for slat 16mm (PVC)	A 55/7	3-00861-0000
280	není překlad	IS 28/1	2-01039-xxxx
300	Head rail side cover 25x24 - right	SR 05	3-00092-xxxx
310	Head rail side cover 25x24 - left	SR 06	3-00093-xxxx
320	Flat cord roll II. (for flat wire)	IS 120	2-00001-0000
320	Flat cord	IL 121/4	6-002270-xxxx
320	Narrow bed	SR 116/1	3-01502-xxxx
340	Metal ring - flat wire	SR 126/1	2-00145-0000
361	Accessories S25		
10	Hanger - 25x25	SR 30	6-001468-0000
11	Hanger ceiling - 25x25	SR 30/1	6-001469-0000
12	Bracket screw + holder 25 for plastic window - upper	ZA-081A	6-008632-0000
20	Streightener	SR 20/1	3-00304-0000
40	Bracket - fixed	A 70	3-00129-0000
40	Fixing bracket	A 77	6-000183-0000
50	Chain holder	IS 27	2-00004-xxxx
51	Fixed pulley	XY 00036	2-01045-0000
41, 60, 61	Screw 3,5x12	IS 24	6-000965-0001
70	Screw 3x20mm	A 67	6-000175-PU22
80	Handle holder - grey	P 053/1	6-006683-7045
130	Suspension hook - metal	A 20	3-00127-PU22
140	Suspension hook - metal - short	A 20/2	6-000138-xxxx
150	Suspension hook - metal - long	A 20/3	6-000139-xxxx
155	Hanger	A 20/4	6-010036-0000
160	Snap-on bridge 25x25	A 79/2	3-02303-0000
31-34	Pad 25 x 25 mm	SR 26	3-00308-0000

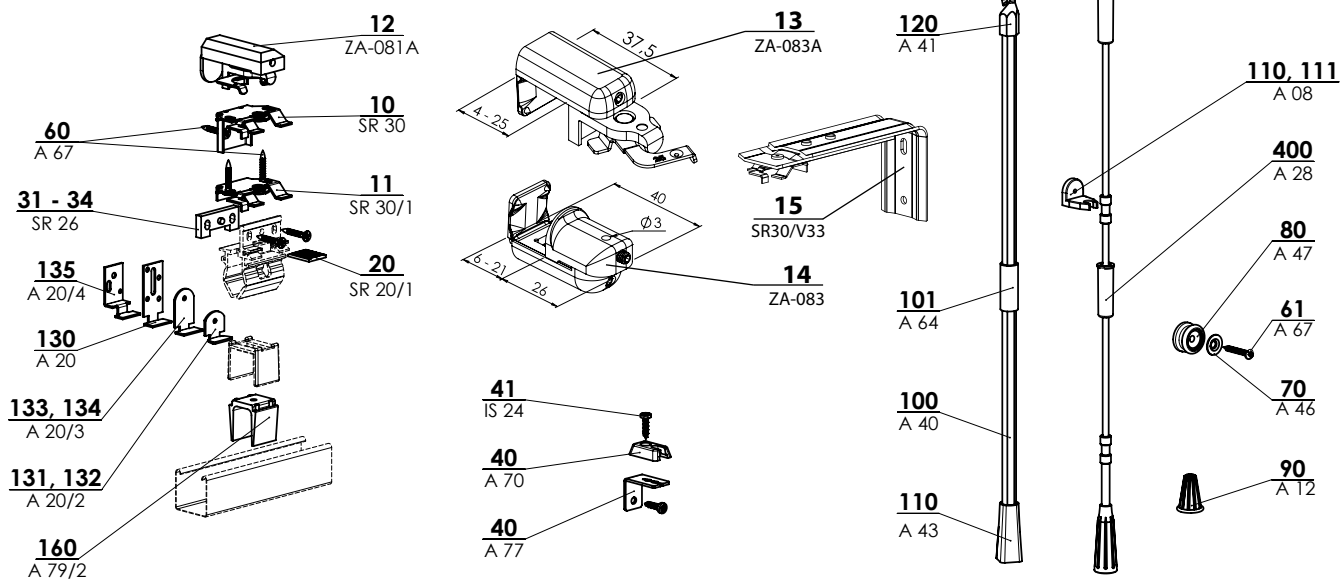
# System 25S – cord, wand

## Basic Product Specification



2-00088-XXXX-E

## Accessories - position 390

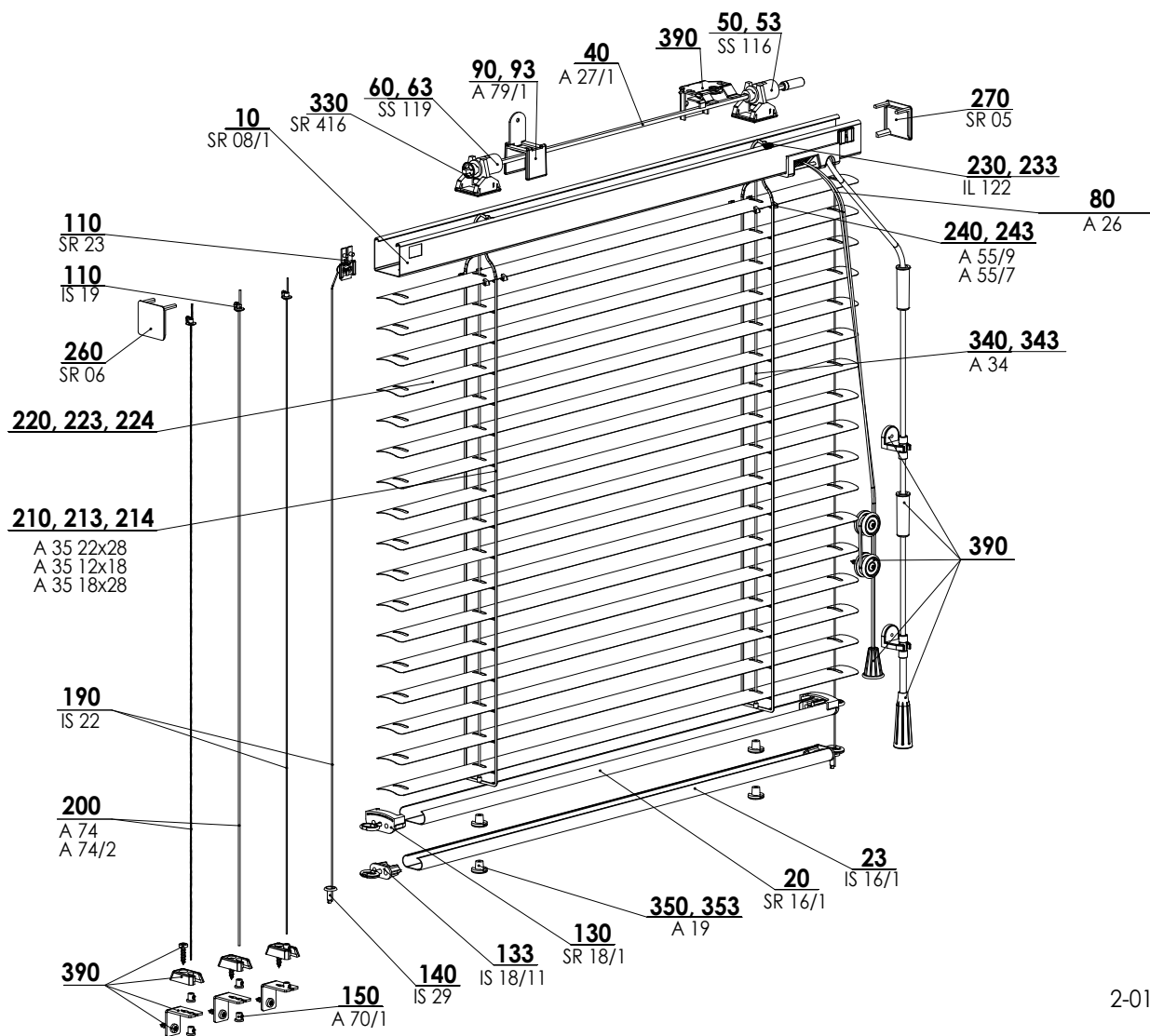


## System 25S - cord, wand 2-00088-XXXX

Position	Item name	Business name	Drawing number
10-16	Head rail 25 x 24 Fe	SR 08/1	3-00314-xxxx
20	Bottom rail 25x10 - Fe Halfproduct	SR 16/1	3-00460-xxxx
23	Bottom rail - Fe	IS 16/1	3-00052-xxxx
30	Cover profile - Al	IL 201	3-00104-xxxx
40	Flat wire Fe/Zn	A 27/1	6-000144-0000
50,53	Bed - round	SS 116	2-00090-xxxx
60,63	Round cord roll	SS 119	3-00456-0000
70	Brake	SS 15	6-001470-0000
80	Turning mechanism	SS 39	6-001471-0000
90	Holder 25x25	SR 20	3-00303-0000
90, 93	Strut bridge 25x24	A 79/1	3-02228-0000
93	Holder 25x25	SR 20	3-00303-0000
110	Nylon anchor	SR 23	3-00305-xxxx
110	Ladder connector	IS 19	6-000963-0000
130	Cover of the bottom rail 25x10	SR 18/1	2-00092-0000
133	Endcap for bottom rail	IS 18/11	2-00006-0000
140	Tightening pin	IS 29	3-00048-xxxx
150	Clamping screw	A 70/1	6-011204-PU22
170	Side cover - right	IL 305	3-00092-xxxx
180	Side cover - left	IL 306	3-00093-xxxx
190	Nylon 0,8mm	IS 22	6-000964-0000
200	Steel wire 0,9mm	A 74/2	6-000181-0000
200	Nylon 1,2mm	A 74	6-000180-0000
210	Ladder 22x28	A 35 22x28	6-000156-xxxx
213	Ladder 12x18	A 35 12x18	6-000155-xxxx
214	Ladder 18x28	A 35 18x28	6-000154-xxxx
220, 223, 224	Slats		See Interior slat swatch
230,233	Ladder joint for flat cord	IL 122	3-00359-PU22
240	Spacer 25 UNI	A 55/9	3-02092-0000
243	Spacer for slat 16mm (PVC)	A 55/7	3-00861-0000
260	Head rail side cover 25x24 - right	SR 05	3-00446-0000
270	Head rail side cover 25x24 - left	SR 06	3-00447-0000
330	Metal ring - flat wire	SR 126/1	2-00145-0000
340,343	Cord 1,4	A 34	6-000153-xxxx
350,353	Bottom rail plug	A 19	3-00126-xxxx
390	Accessories S25		
10	Hanger - 25x25	SR 30	6-001468-0000
11	Hanger ceiling - 25x25	SR 30/1	6-001469-0000
12	Bracket screw + holder 25 for plastic window - upper	ZA-081A	6-008632-0000
20	Streightener	SR 20/1	3-00304-0000
40	Bracket - fixed	A 70	3-00129-0000
40	Fixing bracket	A 77	6-000183-0000
41	Screw 3,5x12	IS 24	6-000965-0001
60, 61	Screw 3x20mm	A 67	6-000175-PU22
70	Shim	A 46	6-000164-0000
80	Cord cleat	A 47	3-00128-xxxx
90	Pear	A 12	3-00119-xxxx
100	Transparent wand	A 40	6-000159-0000
101	Transparent rod connector	A 64	6-000174-0000
110	End of Plastic Wand - Transparent	A 43	6-000162-0000
120	Wand hook	A 41	6-000160-0000
130	Suspension hook - metal	A 20	3-00127-PU22
131,132	Suspension hook - metal - short	A 20/2	6-000138-xxxx
133,134	Suspension hook - metal - long	A 20/3	6-000139-xxxx
135	Hanger	A 20/4	6-010036-0000
160	Snap-on bridge 25x25	A 79/2	3-02303-0000
31-34	Pad 25 x 25 mm	SR 26	3-00308-0000

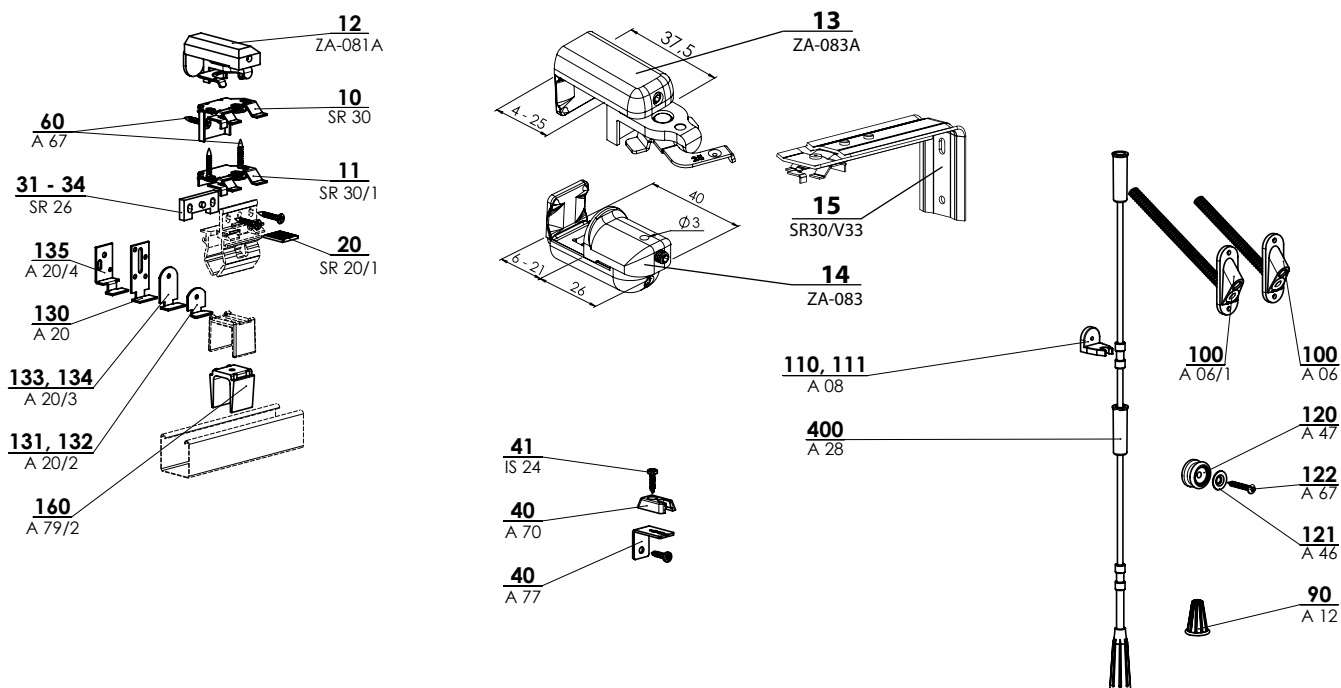
# System 25SC – cord, wand – front outlet

## Basic Product Specification



2-01025-XXXX-A

### Accessories - position 390



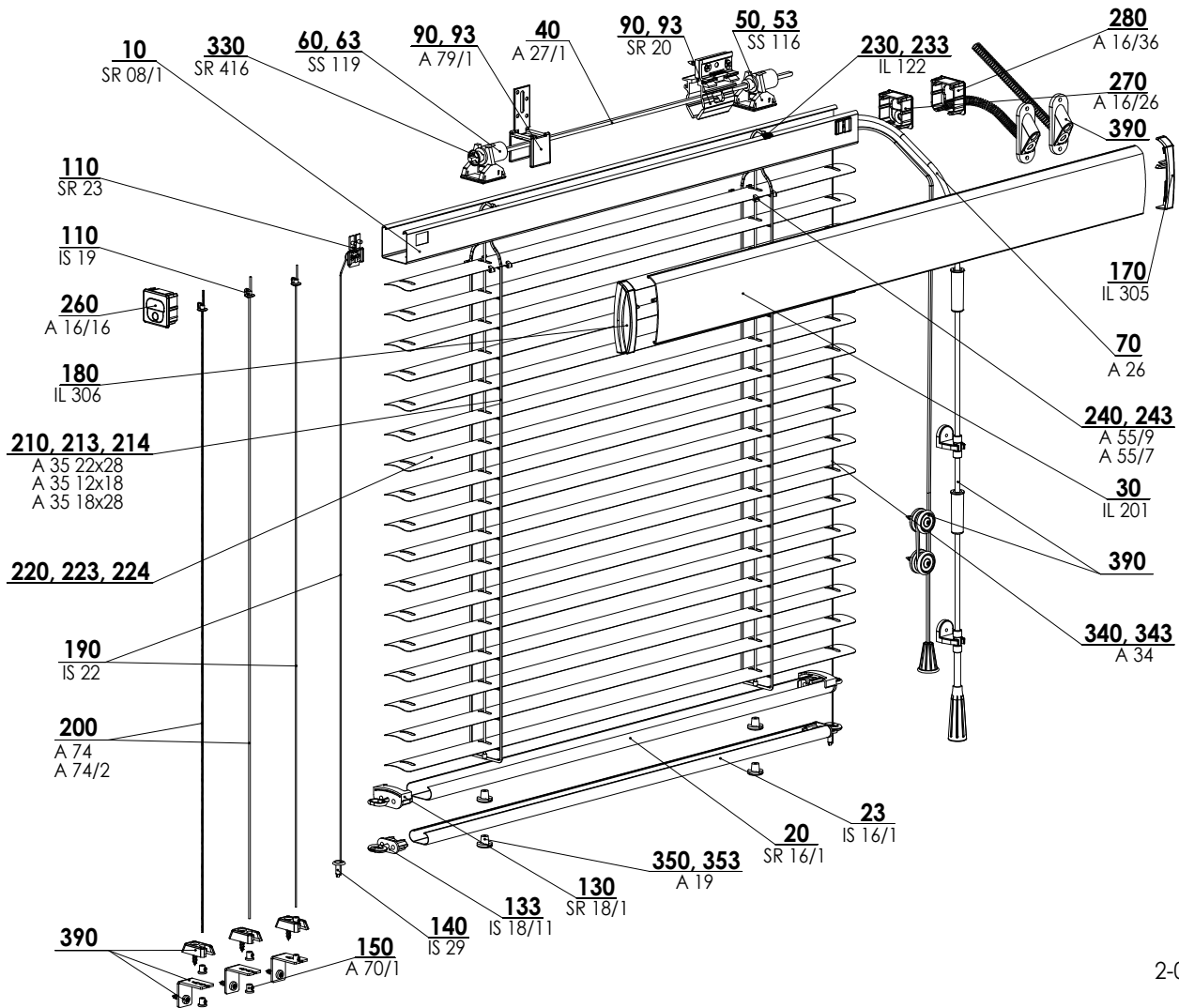
2-00734-0165-B

## System 25SC - cord, wand - front outlet 2-01025-0VŠE

Position	Item name	Business name	Drawing number
10	Head rail 25 x 24 Fe	SR 08/1	3-00314-xxxx
20	Bottom rail 25x10 - Fe Halfproduct	SR 16/1	3-00460-xxxx
23	Bottom rail - Fe	IS 16/1	3-00052-xxxx
40	Flat wire Fe/Zn	A 27/1	6-000144-0000
50,53	Bed - round cord	SS 116	2-00090-xxxx
60,63	Round cord roll	SS 119	3-00456-0000
70	Brake interior, frontal	A 15/2	6-000133-0000
80	Flexible shaft	A 26	2-00024-xxxx
90, 93	Strut bridge 25x24	A 79/1	3-02228-0000
110	Ladder connector	IS 19	6-000963-0000
110	Nylon anchor	SR 23	3-00305-xxxx
130	Cover of the bottom rail 25x10	SR 18/1	2-00092-0000
133	Endcap for bottom rail	IS 18/11	2-00006-0000
140	Tightening pin	IS 29	3-00048-xxxx
150	Clamping screw	A 70/1	6-011204-PU22
190	Nylon 0.8mm	IS 22	6-000964-0000
200	Nylon 1,2mm	A 74	6-000180-0000
200	Steel wire 0,9mm	A 74/2	6-000181-0000
210	Ladder 22x28	A 35 22x28	6-000156-xxxx
213	Ladder 12x18	A 35 12x18	6-000155-xxxx
214	Ladder 18x28	A 35 18x28	6-000154-xxxx
220, 223, 224	Slats		See Interior slat swatch
230,233	Ladder joint for flat cord	IL 122	3-00359-PU22
240	Spacer 25 UNI	A 55/9	3-02092-0000
243	Spacer for slat 16mm (PVC)	A 55/7	3-00861-0000
260	Head rail side cover 25x24 - right	SR 05	3-00446-0000
270	Head rail side cover 25x24 - left	SR 06	3-00447-0000
330	Stopring 4mm	SR 416	6-002344-0000
340, 343	Round cord 1,4	A 34	6-000153-xxxx
350,353	Bottom rail plug	A 19	3-00126-xxxx
390	Accessories - S25		
10	Hanger - 25x25	SR 30	6-001468-0000
11	Hanger ceiling - 25x25	SR 30/1	6-001469-0000
12	Bracket screw + holder 25 for plastic window - upper	ZA-081A	6-008632-0000
20	Streightener	SR 20/1	3-00304-0000
31-34	Pad 25 x 25 mm	SR 26	3-00308-0000
40	Spacer - fixed	A 70	3-00129-0000
40	Fixing bracket	A 77	6-000183-0000
41	Screw 3,5x12	IS 24	6-000965-0001
90	Pear	A 12	3-00119-xxxx
100	Cord guide with spring - 8cm	A 06	2-00021-xxxx
100	Cord guide with spring - 10 cm	A 06/1	2-00022-9010
110,111	Adjustment rod holder	A 08	3-00117-xxxx
120	Cord cleat	A 47	3-00128-xxxx
121	Shim	A 46	6-000164-0000
60, 122	Screw 3x20mm	A 67	6-000175-PU22
130	Suspension hook - metal	A 20	3-00127-PU22
131,132	Suspension hook - metal - long	A 20/2	6-000138-xxxx
133,134	Suspension hook - metal - short	A 20/3	6-000139-xxxx
135	Hanger	A 20/4	6-010036-0000
160	Snap-on bridge 25x25	A 79/2	3-02303-0000
400	Adjustment rod 17 cm	A 28/17	2-00025-xxxx
400	Adjustment rod 20 cm	A 28/20	2-00774-xxxx
400	Adjustment rod 30 cm	A 28/30	2-00775-xxxx
400	Adjustment rod 40 cm	A 28/40	2-00776-xxxx
400	Adjustment rod 50 cm	A 28/50	2-00777-xxxx
400	Adjustment rod 60 cm	A 28/60	2-00778-xxxx
400	Adjustment rod 70 cm	A 28/70	2-00779-xxxx
400	Adjustment rod 80 cm	A 28/80	2-00780-xxxx
400	Adjustment rod 90 cm	A 28/90	2-00781-xxxx
400	Adjustment rod 100 cm	A 28/100	2-00782-xxxx
400	Adjustment rod 110 cm	A 28/110	2-00783-xxxx
400	Adjustment rod 120 cm	A 28/120	2-00784-xxxx
400	Adjustment rod 130 cm	A 28/130	2-00785-xxxx

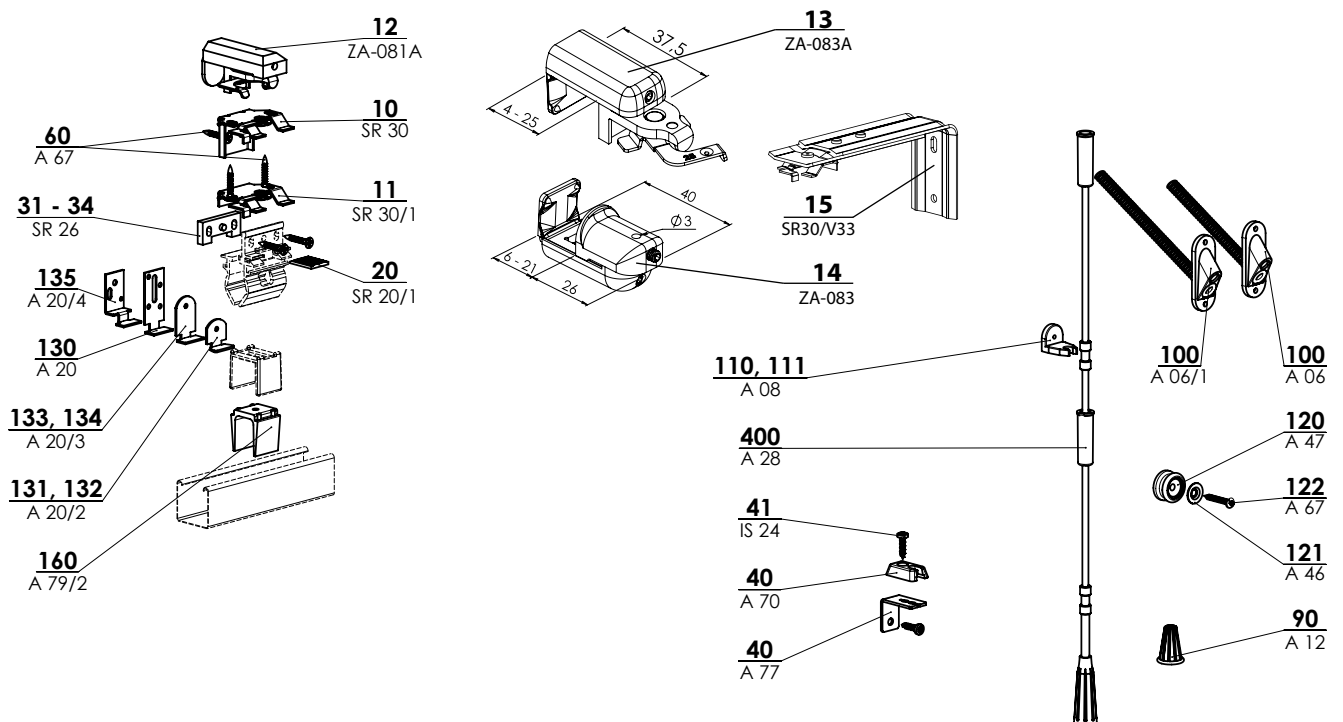
# System 25SM – cord, wand – between glass

## Basic Product Specification



2-01011-XXXX-A

## Accessories - position 390



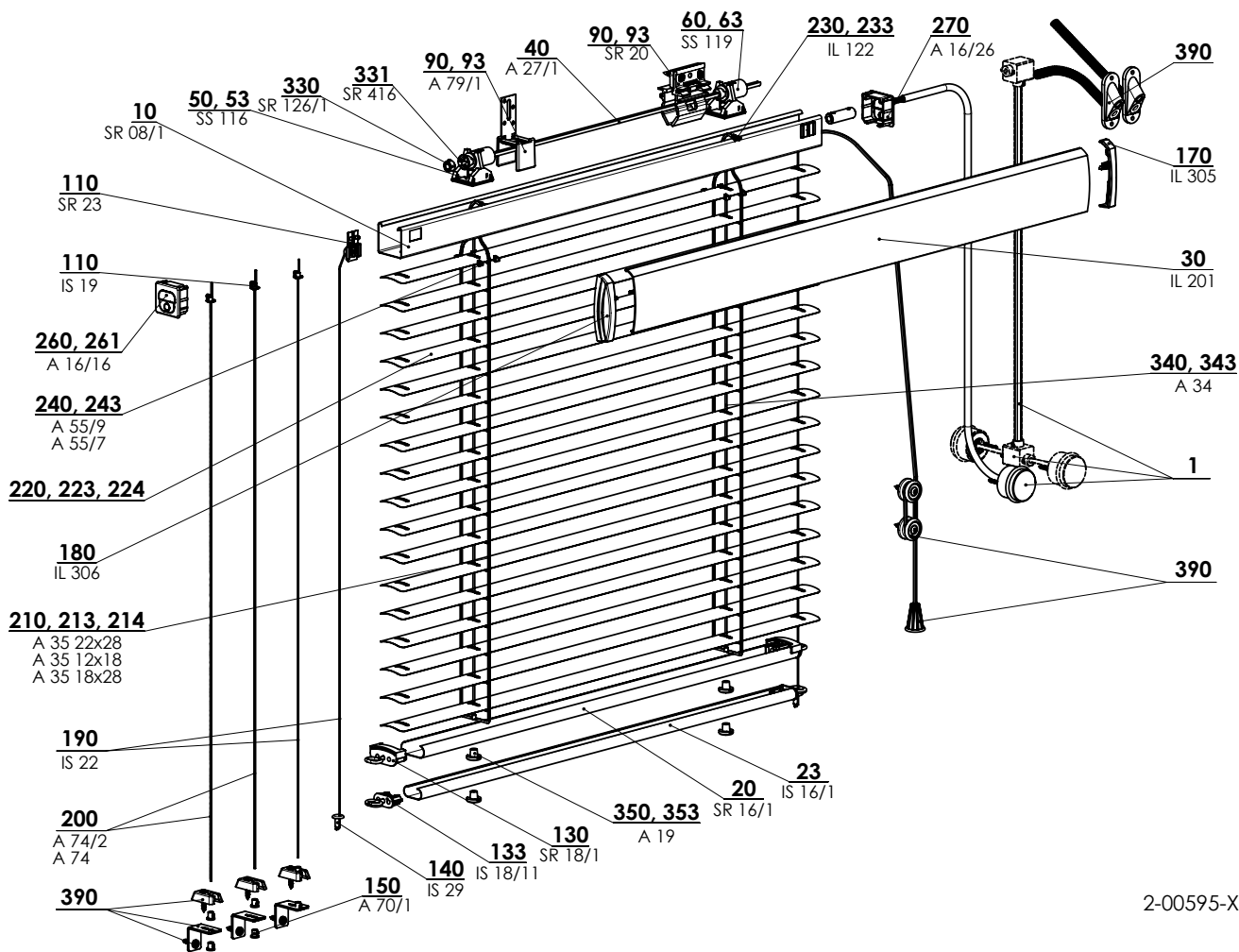
2-00734-0165-B

## System 25SM - cord, wand - between glass 2-01011-XXXX

Position	Item name	Business name	Drawing number
10	Head rail 25 x 24 Fe	SR 08/1	3-00314-xxxx
20	Bottom rail 25x10 - Fe Halfproduct	SR 16/1	3-00460-xxxx
23	Bottom rail - Fe	IS 16/1	3-00052-xxxx
30	Cover profile - Al	IL 201	7-300104-xxxx
40	Flat wire Fe/Zn	A 27/1	6-000144-0000
50,53	Bed - round cord	SS 116	2-00090-xxxx
60,63	Round cord roll	SS 119	3-00456-0000
70	Flexible shaft	A 26	2-00024-xxxx
90,93	Holder 25x25	SR 20	3-00303-0000
90,93	Strut bridge 25x24	A 79/1	3-02228-0000
110	Ladder connector	IS 19	6-000963-0000
110	Nylon anchor	SR 23	3-00305-xxxx
130	Cover of the bottom rail 25x10	SR 18/1	2-00092-0000
133	Endcap for bottom rail	IS 18/11	2-00006-0000
140	Tightening pin	IS 29	3-00048-xxxx
150	Clamping screw	A 70/1	6-011204-PU22
170	Side cover - right	IL 305	3-00092-xxxx
180	Side cover - left	IL 306	3-00093-xxxx
190	Nylon 0.8mm	IS 22	6-000964-0000
200	Steel wire 0,9mm	A 74/2	6-000181-0000
200	Nylon 1,2mm	A 74	6-000180-0000
210	Ladder 22x28	A 35 22x28	6-000156-xxxx
213	Ladder 12x18	A 35 12x18	6-000155-xxxx
214	Ladder 18x28	A 35 18x28	6-000154-xxxx
220, 223, 224	Al Slat		See Interior slat swatch
230,233	Ladder joint for flat cord	IL 122	3-00359-PU22
240	Spacer 25 UNI	A 55/9	3-02092-0000
243	Spacer for slat 16mm (PVC)	A 55/7	3-00861-0000
260	Head rail side cover 25x24	A 16/16	3-02229-0000
270	Head rail side cover 25x24 with rivet	A 16/26	2-01012-0000
330	Stopring 4mm	SR 416	6-002344-0000
340,343	Round cord 1,4	A 34	6-000153-xxxx
350,353	Bottom rail plug	A 19	3-00126-xxxx
390	Accessories S25		
10	Hanger - 25x25	SR 30	6-001468-0000
11	Hanger ceiling - 25x25	SR 30/1	6-001469-0000
12	Bracket screw + holder 25 for plastic window - upper	ZA-081A	6-008632-0000
20	Streightener	SR 20/1	3-00304-0000
31-34	Pad 25 x 25 mm	SR 26	3-00308-0000
40	Bracket - fixed	A 70	3-00129-0000
40	Fixing bracket	A 77	6-000183-0000
41	Screw 3,5x12	IS 24	6-000965-0001
90	Pear	A 12	3-00119-xxxx
100	Cord guide with spring - 8cm	A 06	2-00021-xxxx
100	Cord guide with spring - 10 cm	A 06/1	2-00022-9010
110,111	Adjustment rod holder	A 08	3-00117-xxxx
120	Cord cleat	A 47	3-00128-xxxx
121	Shim	A 46	6-000164-0000
60, 122	Screw 3x20mm	A 67	6-000175-PU22
130	Suspension hook - metal	A 20	3-00127-PU22
131,132	Suspension hook - metal - long	A 20/2	6-000138-xxxx
133,134	Suspension hook - metal - short	A 20/3	6-000139-xxxx
135	Hanger	A 20/4	6-010036-0000
160	Snap-on bridge 25x25	A 79/2	3-02303-0000
400	Adjustment rod 17 cm	A 28/17	2-00025-xxxx
400	Adjustment rod 20 cm	A 28/20	2-00774-xxxx
400	Adjustment rod 30 cm	A 28/30	2-00775-xxxx
400	Adjustment rod 40 cm	A 28/40	2-00776-xxxx
400	Adjustment rod 50 cm	A 28/50	2-00777-xxxx
400	Adjustment rod 60 cm	A 28/60	2-00778-xxxx
400	Adjustment rod 70 cm	A 28/70	2-00779-xxxx
400	Adjustment rod 80 cm	A 28/80	2-00780-xxxx
400	Adjustment rod 90 cm	A 28/90	2-00781-xxxx
400	Adjustment rod 100 cm	A 28/100	2-00782-xxxx
400	Adjustment rod 110 cm	A 28/110	2-00783-xxxx
400	Adjustment rod 120 cm	A 28/120	2-00784-xxxx
400	Adjustment rod 130 cm	A 28/130	2-00785-xxxx

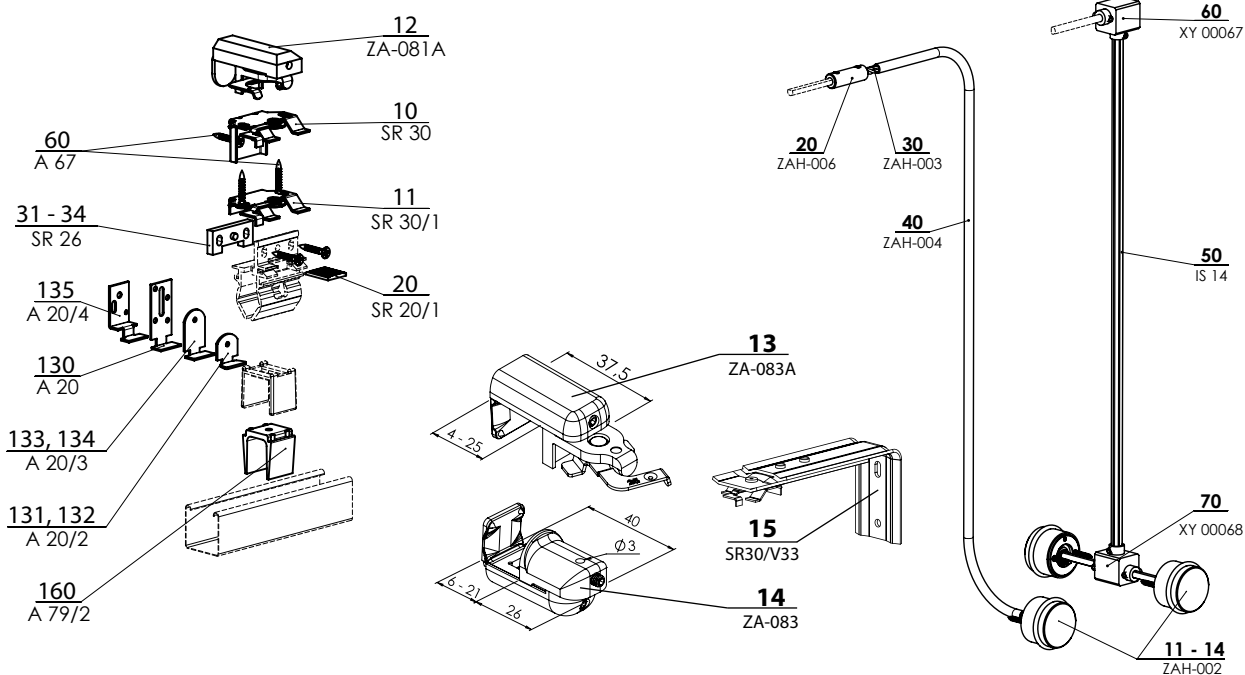
# System 25SW – turn-button

## Basic Product Specification



2-00595-XXXX-B

## Accessories

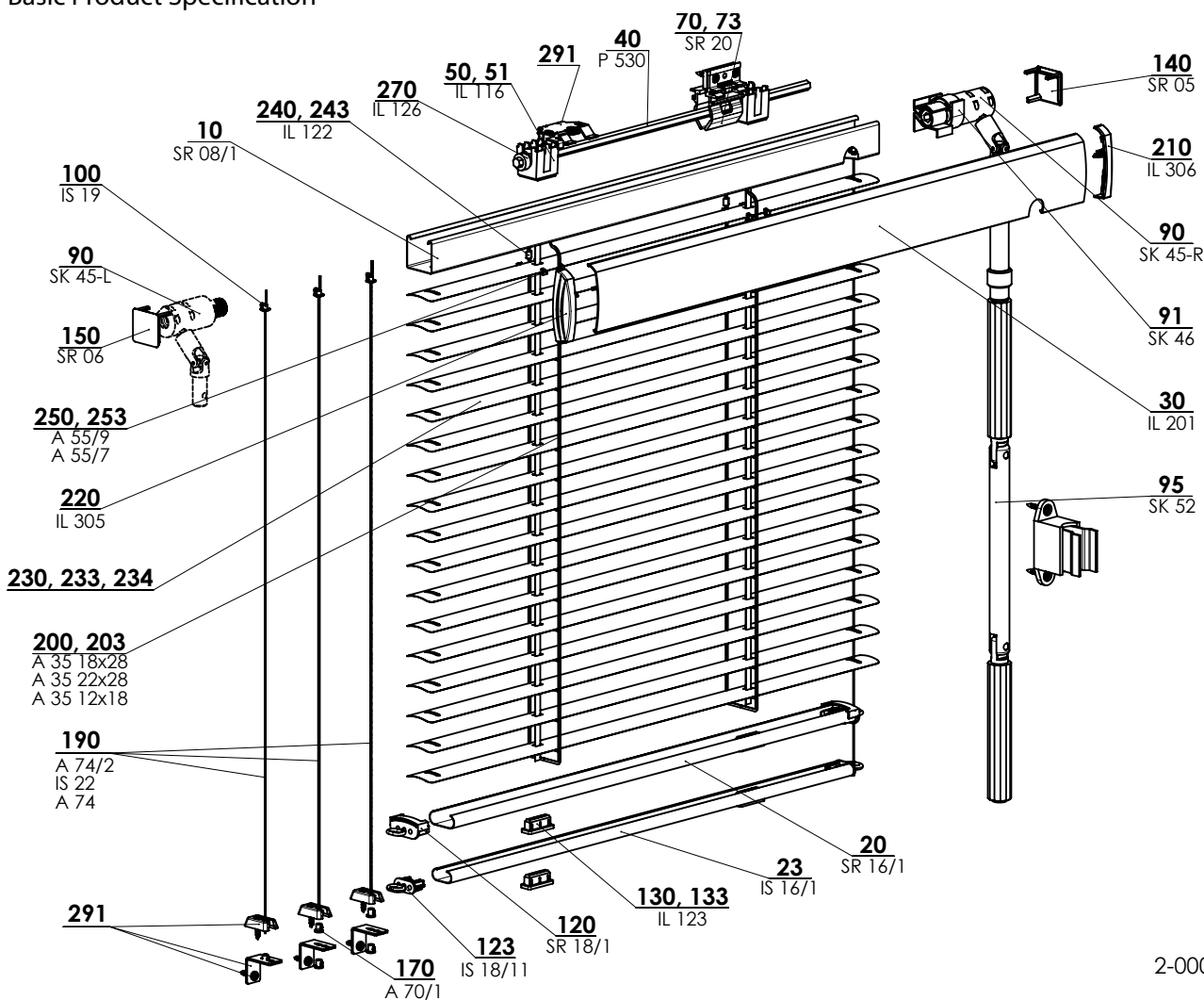


## System 25SW - rotary button 2-00595-XXXX

Position	Item name	Business name	Drawing number
10	Head rail 25 x 24 Fe	SR 08/1	3-00314-xxxx
20	Bottom rail 25x10 - Fe Halfproduct	SR 16/1	3-00460-xxxx
23	Bottom rail - Fe	IS 16/1	3-00052-xxxx
30	Cover profile - Al	IL 201	7-300104-xxxx
40	Flat wire Fe/Zn	A 27/1	6-000144-0000
50,53	Bed - round cord	SS 116	2-00090-xxxx
60,63	Round cord roll	SS 119	3-00456-0000
90,93	Holder 25x25	SR 20	3-00303-0000
90,93	Strut bridge 25x24	A 79/1	3-02228-0000
110	Nylon anchor	SR 23	3-00305-xxxx
110	Ladder connector	IS 19	6-000963-0000
130	Cover of the bottom rail 25x10	SR 18/1	2-00092-0000
133	Endcap for bottom rail	IS 18/11	2-00006-0000
140	Tightening pin	IS 29	3-00048-xxxx
150	Clamping screw	A 70/1	6-011204-PU22
160	Screw for wire cord, O 3,8mm	P 507	6-001229-0000
170	Side cover - right	IL 305	3-00092-xxxx
180	Side cover - left	IL 306	3-00093-xxxx
190	Nylon 0.8mm	IS 22	6-000964-0000
200	Steel wire 0,9mm	A 74/2	6-000181-0000
200	Nylon 1.2mm	A 74	6-000180-0000
210	Ladder 22x28	A 35 22x28	6-000156-xxxx
213	Ladder 12x18	A 35 12x18	6-000155-xxxx
214	Ladder 18x28	A 35 18x28	6-000154-xxxx
220, 223, 224	Al slat		See Interior slat swatch
230,233	Ladder joint for flat cord	IL 122	3-00359-PU22
240	Spacer 25 UNI	A 55/9	3-02092-0000
243	Spacer for slat 16mm (PVC)	A 55/7	3-00861-0000
260	Cover side the head rail 25x24 - right	A 16/16	3-02229-0000
261	Cover side the head rail 25x24 - left	A 16/16	3-02229-0000
270	Head rail side cover 25x24 with rivet	A 16/26	2-01012-0000
330	Metal ring	SR 126/1	2-00145-0000
331	Stopring 4mm	SR 416	6-002344-0000
340,343	Cord 1,4	A 34	6-000153-xxxx
350,353	Bottom rail plung	A 19	3-00126-xxxx
1	Accessories - rotary button		
11-14	Button - rotary	ZAH-002	2-00396-xxxx
20	Flexible shaft connector	ZAH-006	2-00398-0000
30	Flexible shaft 3,85	ZAH-003	6-005207-0002
40	Bowden	ZAH-004	6-005207-0003
50	Tilt rod - triangular	IS 14	7-300050-0000
60	Cone gearing - 2 output	XY 00067	6-008403-0000
70	Cone gearing - 3 output	XY 00068	6-008404-0000
390	Accessories - S25		
10	Hanger - 25x25	SR 30	6-001468-0000
11	Hanger ceiling - 25x25	SR 30/1	6-001469-0000
12	Bracket screw + holder 25 for plastic window - upper	ZA-081A	6-008632-0000
20	Streightener	SR 20/1	3-00304-0000
31-34	Pad 25 x 25 mm	SR 26	3-00308-0000
40	Fixing bracket	A 77	6-000183-0000
40	Bracket - fixed	A 70	3-00129-0000
41	Screw 3,5x12	IS 24	6-000965-0001
90	Pear	A 12	3-00119-xxxx
100	Cord guide with spring - 8cm	A 06	2-00021-xxxx
100	Cord guide with spring - 10 cm	A 06/1	2-00022-9010
120	Cord cleat	A 47	3-00128-xxxx
121	Shim	A 46	6-000164-0000
122	Screw 3x20mm	A 67	6-000175-PU22
130	Suspension hook - metal	A 20	3-00127-PU22
131-132	Suspension hook - metal - short	A 20/2	6-000138-xxxx
133-134	Suspension hook - metal-long	A 20/3	6-000139-xxxx
135	Hanger	A 20/4	6-010036-0000
160	Snap-on bridge 25x25	A 79/2	3-02303-0000

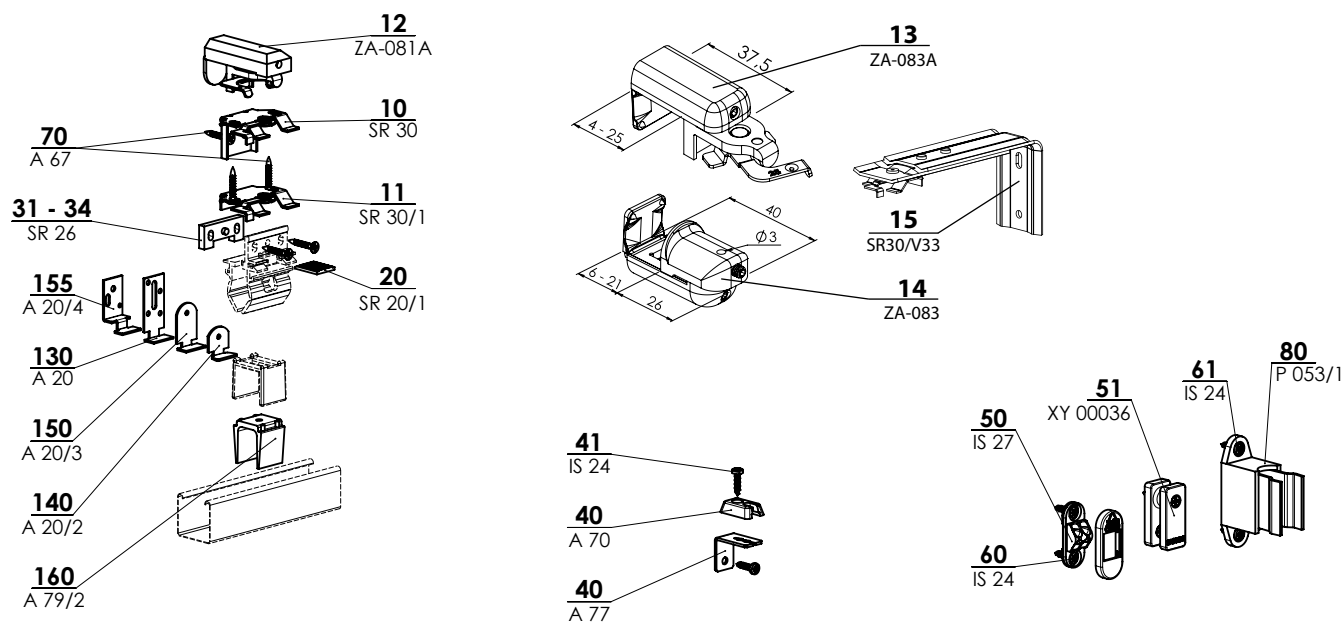
# System 25K – handle

## Basic Product Specification



2-00089-XXXX-D

### Accessories - position 291

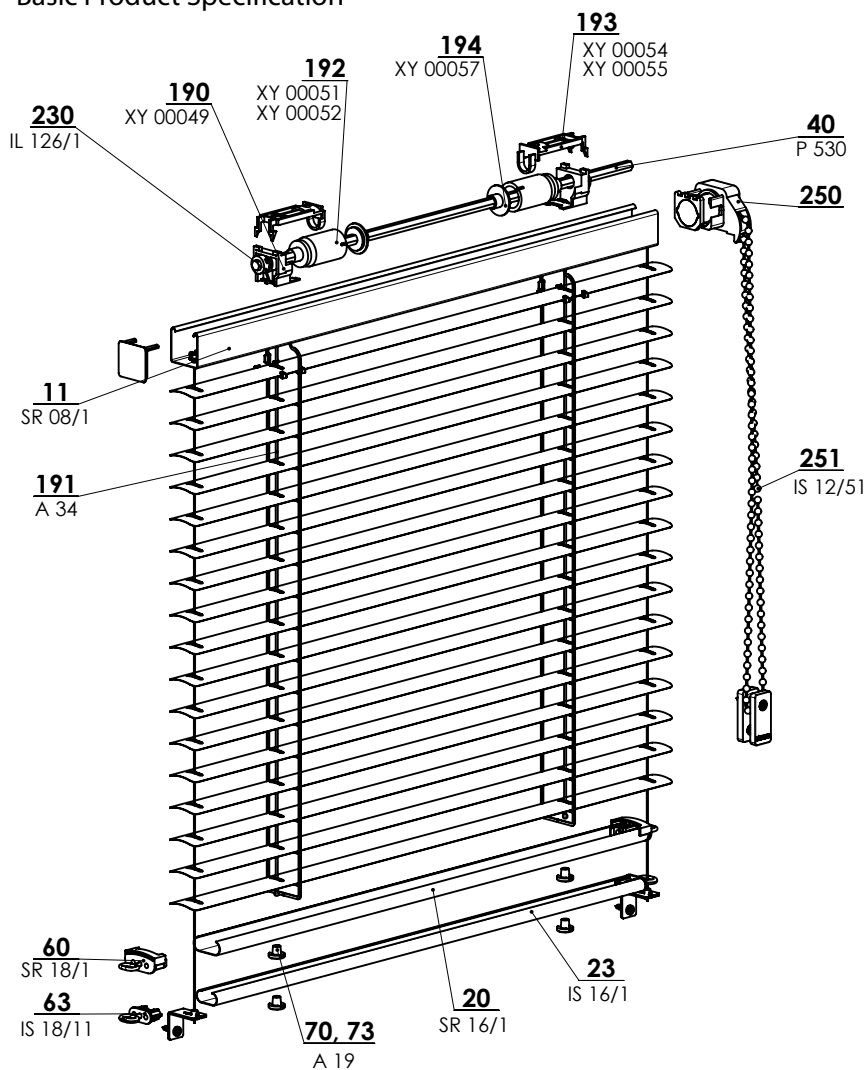


## System 25K - handle 2-00089-XXXX

Position	Item name	Business name	Drawing number
10	Head rail 25 x 24 Fe	SR 08/1	3-00314-xxxx
20	Bottom rail 25x10 - Fe Halfproduct	SR 16/1	3-00460-xxxx
23	Bottom rail - Fe	IS 16/1	3-00052-xxxx
30	Cover profile - Al	IL 201	3-00104-xxxx
40	Wire hexagonal, 6mm	P 530	6-001278-0000
50	Flat cord bed	IL 116	3-00072-xxxx
50	Flat cord roll - hexagonal	IL 118	2-00010-0000
50	Flat cord	IL 121/4	6-002270-xxxx
50	Flat cord	IL 121/5	6-003533-xxxx
70,73	Holder 25x25	SR 20	3-00303-0000
90	Handle gear - left	SK 45 - L	6-003254-0000
90	Handle gear - right	SK 45 - R	6-003082-0000
91	Handle gear holder	SK 46	6-003083-0000
95	Handle	SK 52	
100	Ladder connector	IS 19	6-000963-0000
120	Cover of the bottom rail 25x10	SR 18/1	2-00092-0000
123	Endcap for bottom rail	IS 18/11	2-00006-0000
130,133	Flat cord plug	IL 123	2-00012-0000
140	Head rail side cover 25x24 - right	SR 05	3-00446-0000
150	Head rail side cover 25x24 - left	SR 06	3-00447-0000
170	Clamping screw	A 70/1	6-011204-PU22
190	Steel wire 0,9mm	A 74/2	6-000181-0000
190	Nylon 0.8mm	IS 22	6-000964-0000
190	Nylon 1,2mm	A 74	6-000180-0000
200	Ladder 18x28	A 35 18x28	6-000154-xxxx
200	Ladder 22x28	A 35 22x28	6-000156-xxxx
200	Ladder 21,5x28	A 35 21,5x28	6-003764-5000
203	Ladder 12x18	A 35 12x18	6-000155-xxxx
210	Side cover - right	IL 305	3-00092-xxxx
220	Side cover - left	IL 306	3-00093-xxxx
230-234	Al Slat		See Interior slat swatch
240,243	Ladder joint for flat cord	IL 122	3-00359-PU22
250	Spacer 25 UNI	A 55/9	3-02092-0000
253	Spacer for slat 16mm (PVC)	A 55/7	3-00861-0000
270	Metal ring	IL 126	2-00072-0000
291	Accessories S25		
10	Hanger - 25x25	SR 30	6-001468-0000
11	Hanger ceiling - 25x25	SR 30/1	6-001469-0000
12	Bracket screw + holder 25 for plastic window - upper	ZA-081A	6-008632-0000
20	Streightener	SR 20/1	3-00304-0000
40	Bracket - fixed	A 70	3-00129-0000
40	Fixing bracket	A 77	6-000183-0000
50	Chain holder	IS 27	2-00004-xxxx
51	Fixed pulley	XY 00036	2-01045-0000
60	Screw 3,5x12	IS 24	6-000965-0001
70	Screw 3x20mm	A 67	6-000175-PU22
80	Handle holder - grey	P 053/1	6-006683-7045
130	Suspension hook - metal	A 20	3-00127-PU22
140	Suspension hook - metal - short	A 20/2	6-000138-xxxx
150	Suspension hook - metal - long	A 20/3	6-000139-xxxx
155	Hanger	A 20/4	6-010036-0000
160	Snap-on bridge 25x25	A 79/2	3-02303-0000
31-34	Pad 25 x 25 mm	SR 26	3-00308-0000

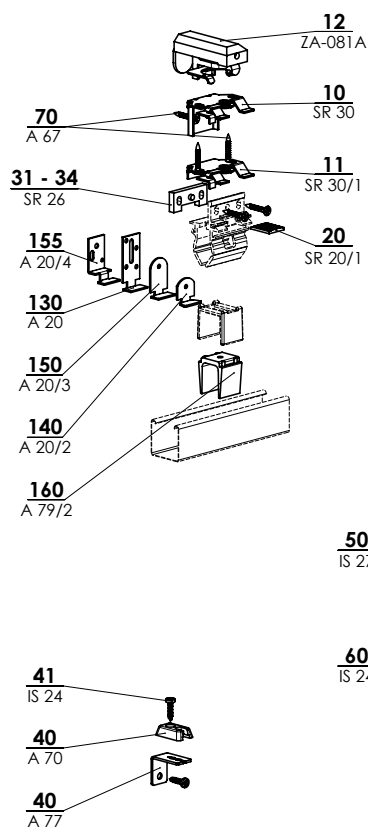
# System 25L - Large

## Basic Product Specification

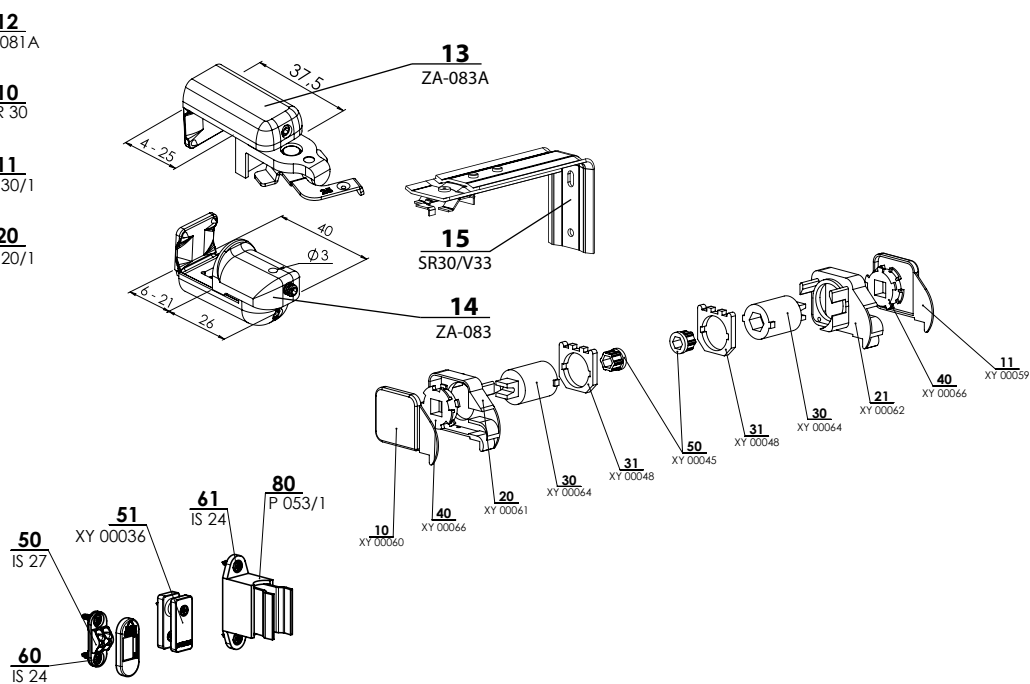


2-00764-XXXX-D

### Accessories - position 240



### Gear - position 250

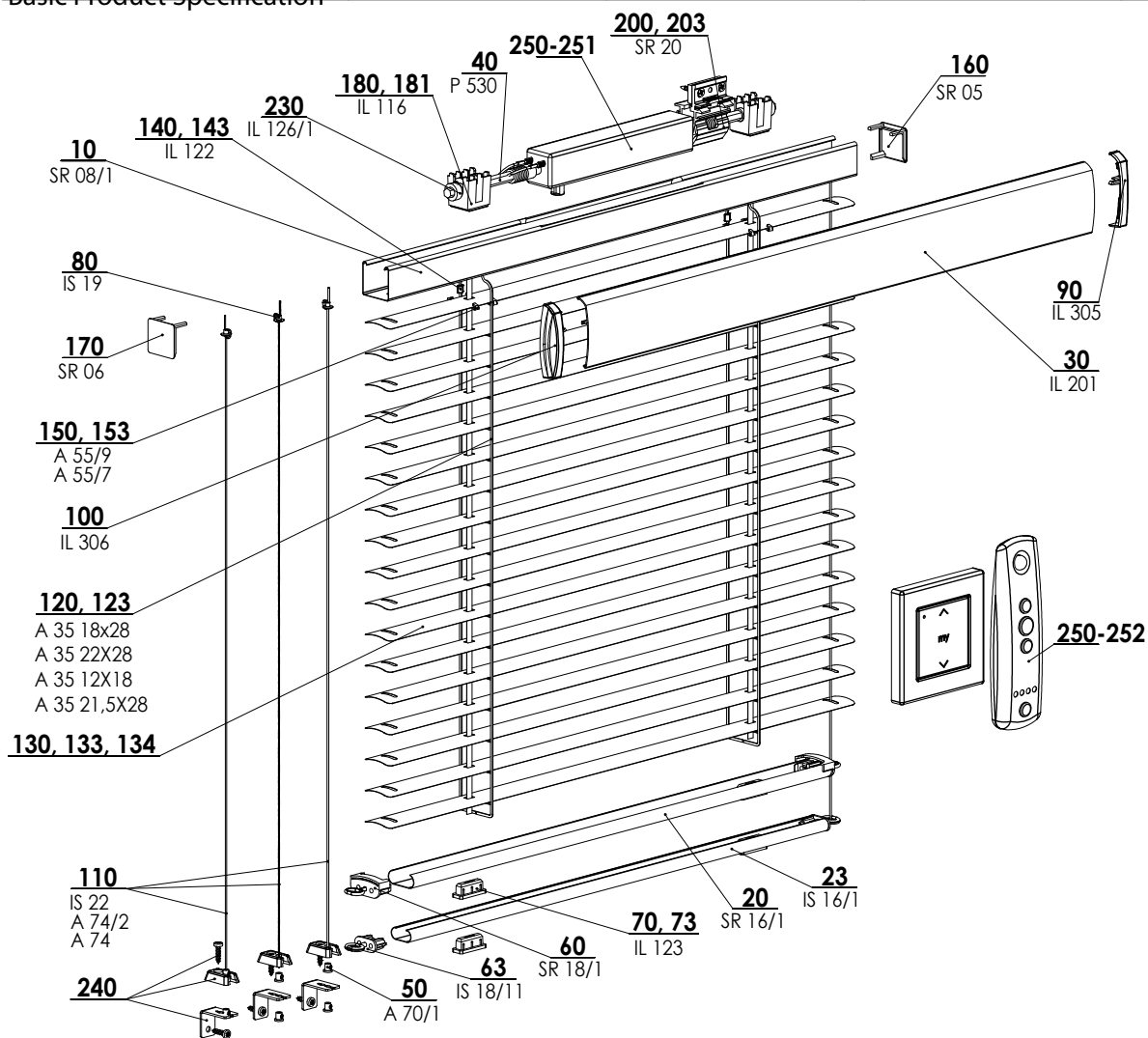


## System 25 - Large 2-00764-XXXX

Position	Item name	Business name	Drawing number
10-11	Head rail 25 x 24 Fe	SR 08/1	3-00314-xxxx
20	Bottom rail 25x10 - Fe Halfproduct	SR 16/1	3-00460-xxxx
23	Bottom rail - Fe	IS 16/1	3-00052-xxxx
30	Cover profile - Al	IL 201	3-00104-xxxx
40	Wire hexagonal, 6mm	P 530	6-001278-0000
50	Clamping screw	A 70/1	6-011204-PU22
60	Cover of the bottom rail 25x10	SR 18/1	2-00092-0000
63	Endcap for bottom rail	IS 18/11	2-00006-0000
70,73	Bottom rail plung	A 19	3-00126-xxxx
70,73	Flat cord plug	IL 123	2-00012-0000
80	Ladder connector	IS 19	6-000963-0000
110	Nylon 0.8mm	IS 22	6-000964-0000
110	Steel wire 0,9mm	A 74/2	6-000181-0000
110	Nylon 1.2mm	A 74	6-000180-0000
120	Ladder 18x28	A 35 18x28	6-000154-xxxx
120	Ladder 21,5x28	A 35 21,5x28	6-003764-5000
120	Ladder 22x28	A 35 22x28	6-000156-xxxx
123	Ladder 12x18	A 35 12x18	6-000155-xxxx
130	Al slat		See Interior slat swatch
140,143	Ladder joint for flat cord	IL 122	3-00359-PU22
150	Spacer 25 UNI	A 55/9	3-02092-0000
153	Spacer for slat 16mm (PVC)	A 55/7	3-00861-0000
160	Head rail side cover 25x24 - right	SR 05	3-00446-0000
170	Head rail side cover 25x24 - left	SR 06	3-00447-0000
180	Flat cord roll - hexagonal	IL 118	2-00010-0000
180	Flat cord bed	IL 116	3-00072-xxxx
180	Flat cord	IL 121/4	6-002270-xxxx
190	Bed for winder CTS25 HD Ultimate	XY 00049	6-006756-0000
191	Cord 1,4	A 34	6-000153-xxxx
192	Winder 25/35, hexagonal, L=70 / 1,75m	XY 00051	6-006758-0000
192	Winder 25/35, hexagonal, L=108 / 3,38m	XY 00052	6-006759-0000
193	Winder cover, L=50	XY 00053	6-006755-0000
193	Winder cover, L=70	XY 00054	6-006817-0000
193	Winder cover, L=108	XY 00055	6-006819-0000
194	Winder plug	XY 00057	6-006412-0006
200,203	Holder 25x25	SR 20	3-00303-0000
210	Side cover - right	IL 305	3-00092-xxxx
220	Side cover - left	IL 306	3-00093-xxxx
230	Stop ring hexagonal	IL 126/1	6-010981-0000
251	Endless chain (4,5x6x2000mm) 1,00m control	IS 12/51	6-008188-0020
2200	Flat cord roll (for triangular wire)	IL 119	2-00011-0000
2200	Flat cord roll - hexagonal	IL 118	2-00010-0000
2200	Flat cord bed	IL 116	3-00072-xxxx
2200	Flat cord	IL 121/5	6-003533-xxxx
2200	Flat cord	IL 121/4	6-002270-xxxx
240	Accessories - S25		
10	Hanger - 25x25	SR 30	6-001468-0000
11	Hanger ceiling - 25x25	SR 30/1	6-001469-0000
12	Bracket screw + holder 25 for plastic window - upper	ZA-081A	6-008632-0000
20	Streightener	SR 20/1	3-00304-0000
40	Spacer - fixed	A 70	3-00129-0000
40	Bracket - fixed	A 77	6-000183-0000
50	Chain holder	IS 27	2-00004-xxxx
51	Fixed pulley	XY 00036	2-01045-0000
41, 60, 61	Screw 3,5x12	IS 24	6-000965-0001
70	Screw 3x20mm	A 67	6-000175-PU22
80	Handle holder - grey	P 053/1	6-006683-7045
130	Suspension hook - metal	A 20	3-00127-PU22
140	Suspension hook - metal - short	A 20/2	6-000138-xxxx
150	Suspension hook - metal - long	A 20/3	6-000139-xxxx
155	Hanger	A 20/4	6-010036-0000
160	Snap-on bridge 25x25	A 79/2	3-02303-0000
31-34	Pad 25 x 25 mm	SR 26	3-00308-0000
250	Gear		
10	Chain output cover - left	XY 00060	6-006803-XXXX
11	Chain output cover - right	XY 00059	6-008185-xxxx
20	Chain side output - left	XY 00061	6-006816-XXXX
21	Chain side output - right	XY 00062	6-006818-XXXX
30	Manual gearing CD 25 1:4,8	XY 00064	6-006821-0001
31	Distance pad 25x25	XY 00048	6-008187-0000
40	Wheel for chain 4,5x6	XY 00066	6-006822-0000
50	Adapter for 6mm hexagonal	XY 00045	6-002170-0001

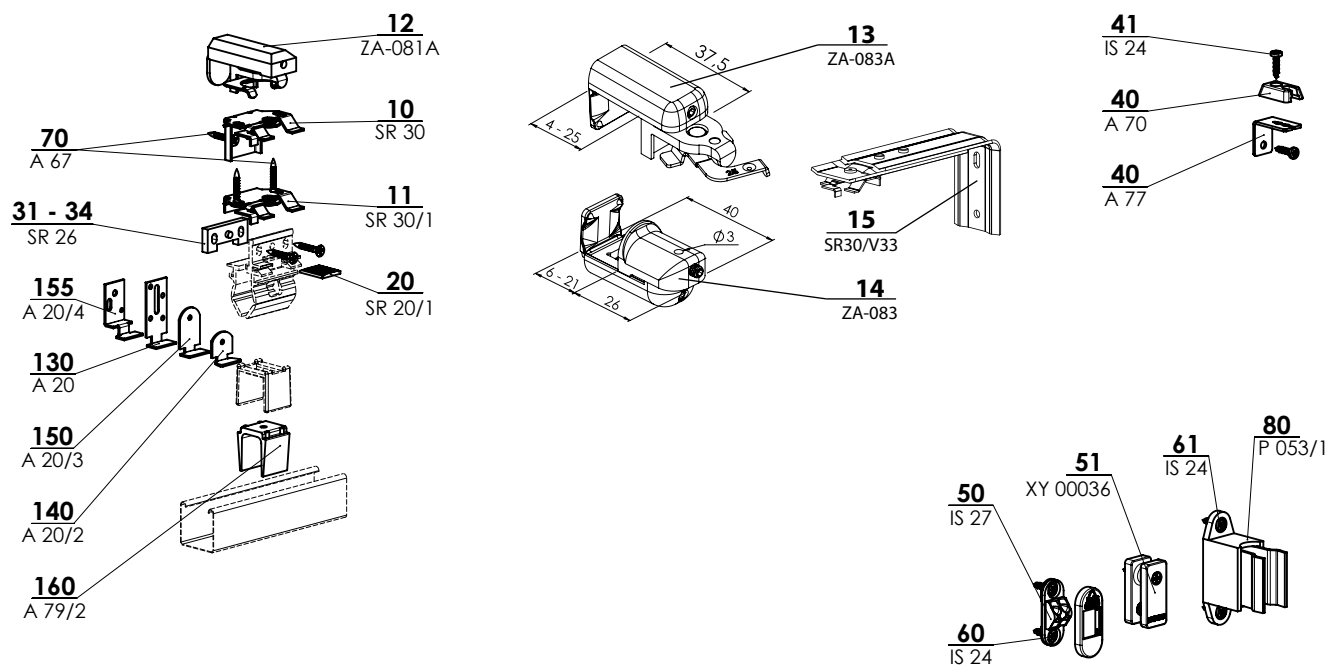
# System 25M – motor

## Basic Product Specification



2-00197-XXXX-B

## Accessories - position 240



**STANDARD DIMENSIONS (mm, m<sup>2</sup>)**

	<b>min. W</b>	<b>max. W</b>	<b>min. H</b>	<b>max. H</b>	<b>max. surface</b>
<b>motor ISOTRA BASIC</b>	400	2000	300	2200	4,4
<b>motor Somfy</b>	700	2000	300	2200	4,4

**DIMENSIONS POSSIBLE TO PRODUCE (mm, m<sup>2</sup>)**

Limited guarantee, client's agreement necessary, price given by sales rep, extra charges

	<b>min. W</b>	<b>max. W</b>	<b>min. H</b>	<b>max. H</b>	<b>max. surface</b>
<b>motor ISOTRA BASIC</b>	400	3000	100	2900	5
<b>Somfy side</b>	550	3000	100	2900	5
<b>Somfy side+receiver</b>	680	3000	100	2900	5
<b>Somfy central</b>	650	3000	100	2900	5
<b>Somfy central+receiver</b>	800	3000	100	2900	5
<b>Somfy side</b>	700*	3000	100	3400	5
<b>Somfy side+receiver</b>	850*	3000	100	3400	5
<b>Somfy central</b>	800*	3000	100	3400	5
<b>Somfy central+receiver</b>	1050*	3000	100	3400	5

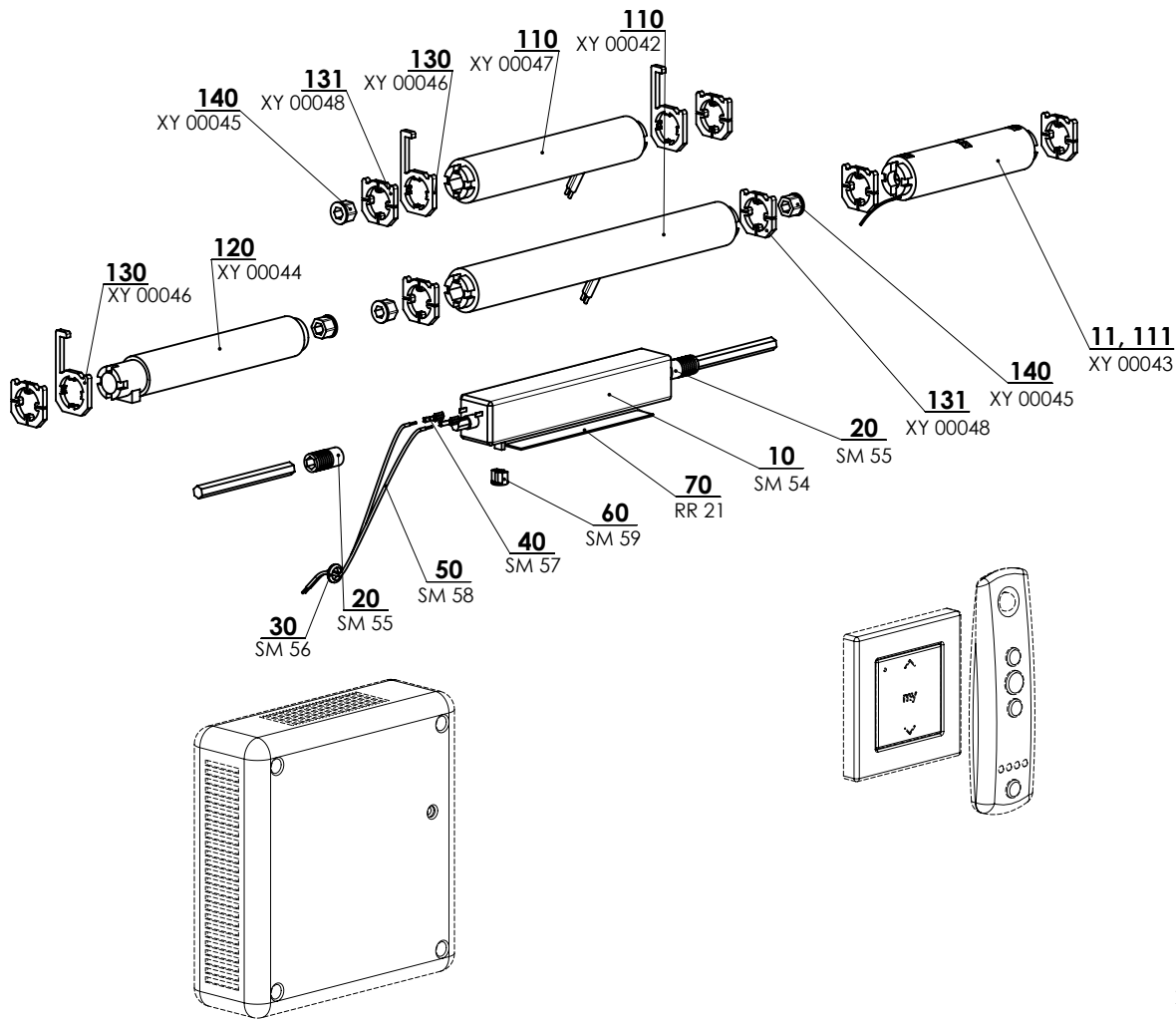
\*for motor (cord)

**System 25M - motor 2-00197-XXXX**

Position	Item name	Business name	Drawing number
10-11	Head rail 25 x 24 Fe	SR 08/1	3-00314-xxxx
20	Bottom rail 25x10 - Fe Halfproduct	SR 16/1	3-00460-xxxx
23	Bottom rail - Fe	IS 16/1	3-00052-xxxx
30	Cover profile - Al	IL 201	3-00104-xxxx
40	Wire hexagonal, 6mm	P 530	6-001278-0000
50	Clamping screw	A 70/1	6-011204-PU22
60	Cover of the bottom rail 25x10	SR 18/1	2-00092-0000
63	Endcap for bottom rail	IS 18/11	2-00006-0000
70,73	Bottom rail plung	A 19	3-00126-xxxx
70,73	Flat cord plug	IL 123	2-00012-0000
80	Ladder connector	IS 19	6-000963-0000
90	Side cover - right	IL 305	3-00446-0000
100	Side cover - left	IL 306	3-00447-0000
110	Steel wire 0,9mm	A 74/2	6-000181-0000
110	Nylon 1,2mm	A 74	6-000180-0000
110	Nylon 0,8mm	IS 22	6-000964-0000
120	Ladder 18x28	A 35 18x28	6-000154-xxxx
120	Ladder 21,5x28	A 35 21,5x28	6-003764-5000
120	Ladder 22x28	A 35 22x28	6-000156-xxxx
123	Ladder 12x18	A 35 12x18	6-000155-xxxx
130-134	Al slat		See Interior slat swatch
140,143	Ladder joint for flat cord	IL 122	3-00359-PU22
150	Spacer 25 UNI	A 55/9	3-02092-0000
153	Spacer for slat 16mm (PVC)	A 55/7	3-00861-0000
160	Head rail side cover 25x24 - right	SR 05	3-00092-xxxx
170	Head rail side cover 25x24 - left	SR 06	3-00093-xxxx
180	Flat cord roll - hexagonal	IL 118	2-00010-0000
180	Flat cord bed	IL 116	3-00072-xxxx
180	Flat cord	IL 121/4	6-002270-xxxx
190	Bed for winder CTS25 HD Ultimate	XY 00049	6-006756-0000
191	Cord 1,4	A 34	6-000153-xxxx
192	Winder 25/35, hexagonal, L=70 / 1,75m	XY 00051	6-006758-0000
192	Winder 25/35, hexagonal, L=108 / 3,38m	XY 00052	6-006759-0000
193	Winder cover, L=70	XY 00054	6-006817-0000
193	Winder cover, L=108	XY 00055	6-006819-0000
194	Winder plug	XY 00057	6-006412-0006
200,203	Hanger - 25x25	SR 20	3-00303-0000
230	Stopring for 6mm hexagonal	IL 126/1	6-010981-0000
240	Accessories S25 M		
10	Hanger - 25x25	SR 30	6-001468-0000
11	Hanger ceiling - 25x25	SR 30/1	6-001469-0000
12	Bracket screw + holder 25 for plastic window - upper	ZA-081A	6-008632-0000
20	Streightener	SR 20/1	3-00304-0000
40	Spacer - fixed	A 70	3-00129-0000
40	Bracket - fixed	A 77	6-000183-0000
50	Chain holder	IS 27	2-00004-xxxx
51	Fixed pulley	XY 00036	2-01045-0000
60	Screw 3,5x12	IS 24	6-000965-0001
70	Screw 3x20mm	A 67	6-000175-PU22
80	Handle holder - grey	P 053/1	6-006683-7045
130	Suspension hook - metal	A 20	3-00127-PU22
140	Suspension hook - metal - short	A 20/2	6-000138-xxxx
150	Suspension hook - metal - long	A 20/3	6-000139-xxxx
155	Hanger	A 20/4	6-010036-0000
160	Snap-on bridge 25x25	A 79/2	3-02303-0000
31-34	Pad 25 x 25 mm	SR 26	3-00308-0000
250	Motors (SOMFY) interior blinds		2-00371-0000
251	Motors (ISOTRA BASIC) interior blinds		2-00786-0000

## Motors - position 250

### Basic Product Specification



2-00371-XXXX-A

Position	Item name	Business name	Drawing number
11,111	RTS 25 DC Modulis, head-rail receiver	XY 00043	6-002159-0000
30	Rubber bushing F 0720 GM-0705	SM 56	6-002165-0000
40	Cable connector RF 7796KR	SM 57	6-002166-0000
50	Cable Cu 2x0,35mm	SM 58	6-002153-0000
60	End stop cap J1 9x7mm	SM 59	6-002149-0000
70	Adhesive tape, double	RR 21	6-001310-0000
110	Motor - middle drive LW 25 B83	XY 00042	6-002156-0000
110	Motor - side drive LV 25 B64	XY 00047	6-005676-0000
120	End-stop AMS 25	XY 00044	6-002169-0000
130	Distance pad	XY 00046	6-002171-0000
131	Distance pad 25x25	XY 00048	6-008187-0000
140	Adapter for 6mm hexagonal	XY 00045	6-002170-0001

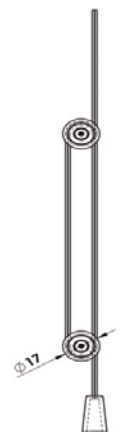
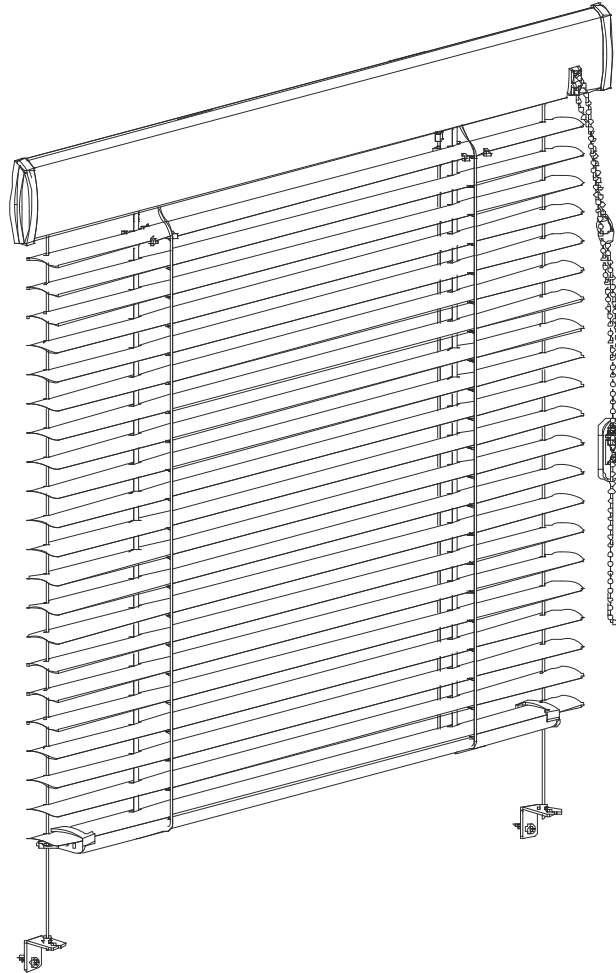
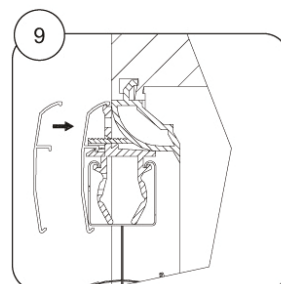
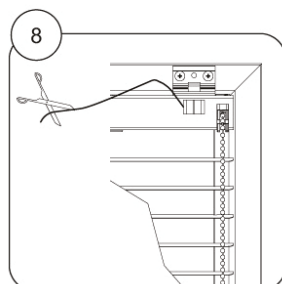
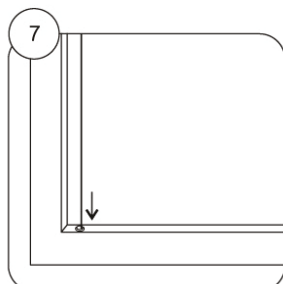
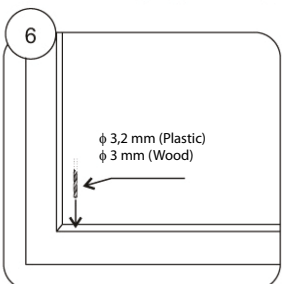
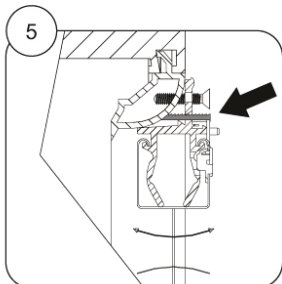
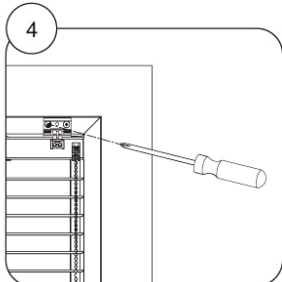
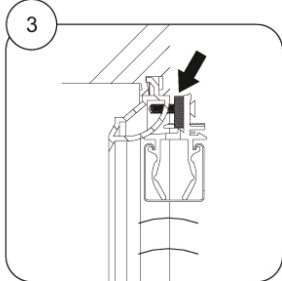
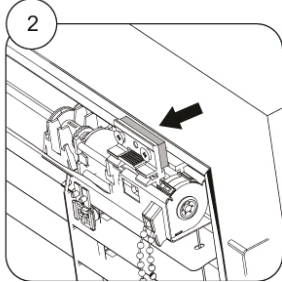
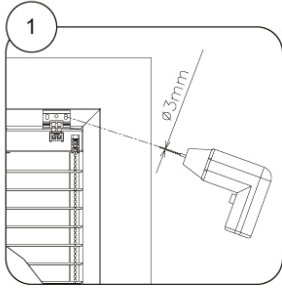
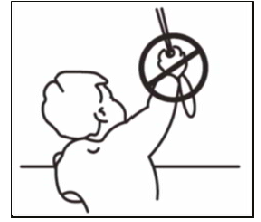
## Motors - position 251

Position	Item name	Business name	Drawing number
251/150	Motor AM24 with switch and receiver	XY 00069	6-12517-000
251/160	Transformer for AM24 (DC24V)	XY 00070	6-12518-000
251/170	Remote controller – 1 channel	XY 00071	6-12519-000
251/180	Remote controller – 6 channels	XY 00072	6-12520-000

# Isotra System 25

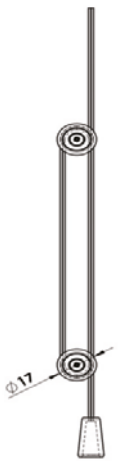
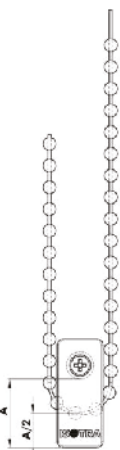
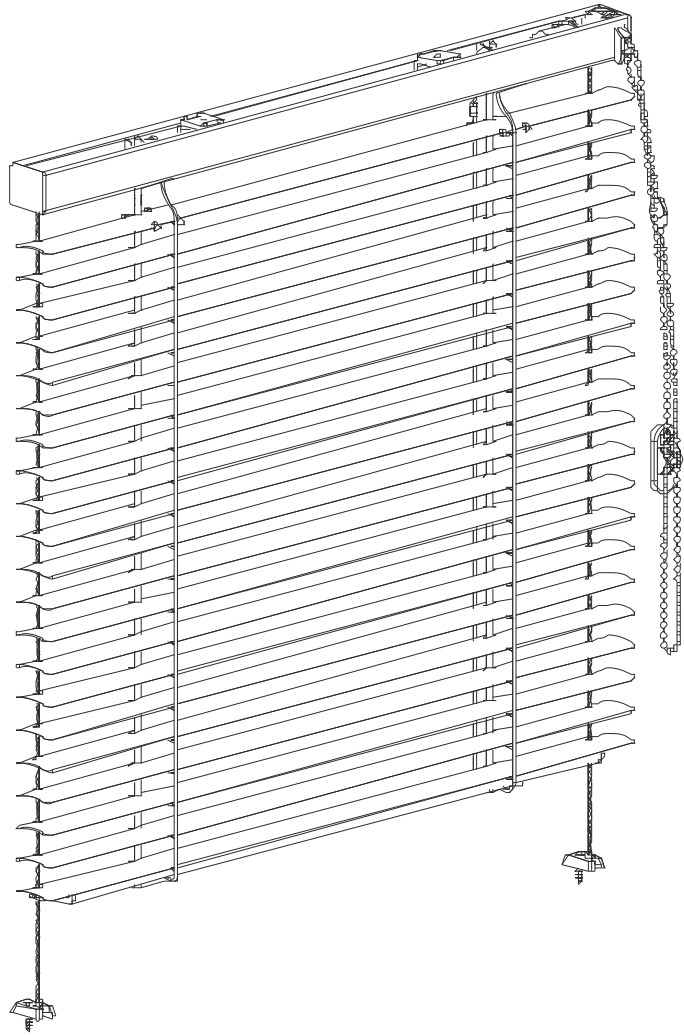
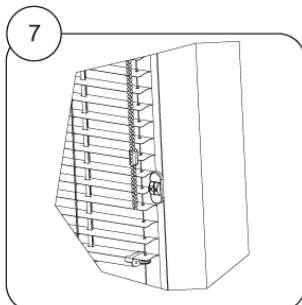
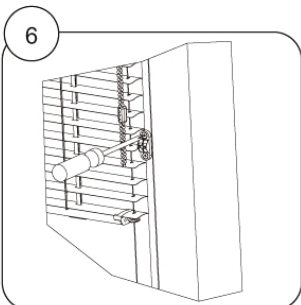
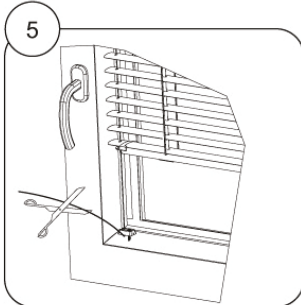
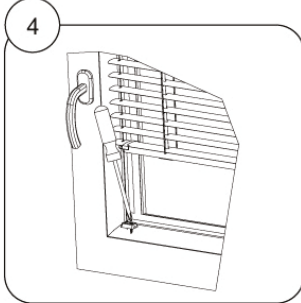
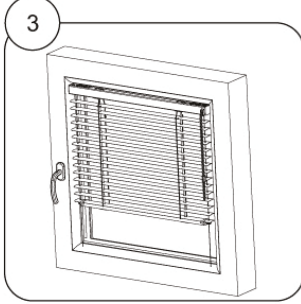
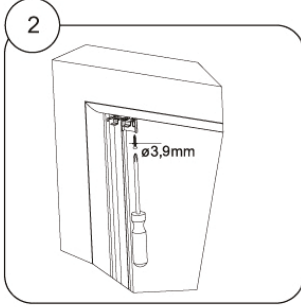
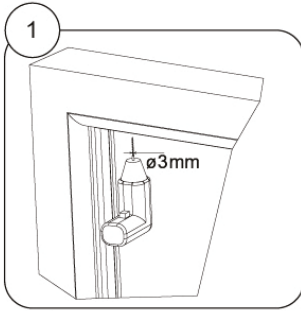
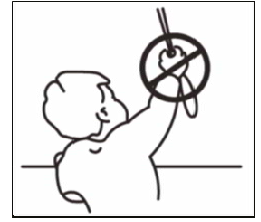
## Assembly

The Blind is installed according to norm  
EN 13120  
about security elements



# Isotra System 25 Large Assembly

The Blind is installed according to norm  
EN 13120  
about security elements



## Cetta 35,50 - Economy



UPPER PROFILE



BOTTOM PROFILE

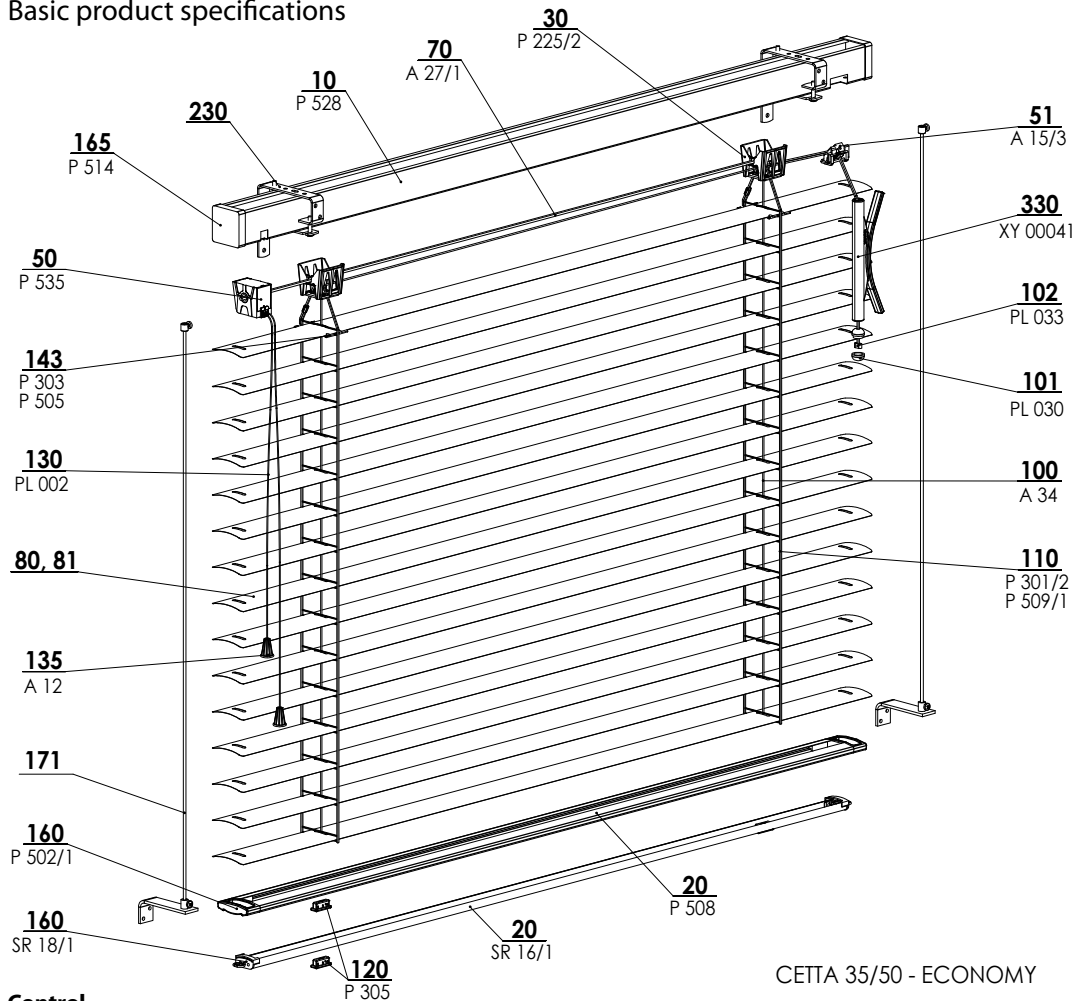


- ▲ Dual slat width: 35 mm and 50 mm
- ▲ Simple cord control with brake
- ▲ Dual-sided tilting of slats
- ▲ Cord guided or freely hanging blinds
- ▲ Wide range of light intensity control
- ▲ Easy assembly on ceiling or wall

**ISOTRA**Quality

## Interior blinds Cetta 35 - Economy

### Basic product specifications






CETTA 35/50 - ECONOMY 2-00677-XXXX-C

#### Control


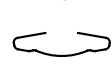

Manual – cord fixed to bottom rail for raising and dropping of blind;  
cord with tilter for tilting slats.

To raise or drop the blinds it is necessary to first release the brake by pulling the cord diagonally towards the centre of the blind. Drop the blinds by releasing the cord and raise the blinds to the required position by pulling the cord. Lock the brake by pulling the cord from the centre of the blind and then releasing it.

#### Specification C35- Economy

	Upper profile cord/handle	Bottom Profile	Slat	Side guide	Ladder	Cord	Assembly
				steel cord			
<b>Commercial Name</b> <b>Dimension (mm)</b> <b>Material</b>	P 528 40 x 40 Fe 	SR 16/1 25 x 10 x 0,4 Fe 	P 304 0,23 x 35 Al 	P 501 ø 2,2 Fe/PVC	P 301 26 x 38 PES	A34 ø 1,4 PES	ceiling, wall
<b>Color</b>	Standard: RAL 9003 white RAL 9006 silver Extra charge: Other RAL colors, DECORAL		According to current ISOTRA a.s. sampler	grey	white, grey	white	

#### Specifikace Cetta 20

	Upper profile cord/handle	Bottom Profile	Slat	Side guide	Ladder	Cord	Assembly
				steel cord			
<b>Commercial Name</b> <b>Dimension (mm)</b> <b>Material</b>	P 528 40 x 40 Fe 	P 508 49 x 12 Fe 	P 529 0,23 x 50 Al 	P 501 ø 2,2 Fe/PVC	P 509 42 x 54 PES	A34 ø 1,4 PES	ceiling, wall
<b>Barva</b>	Standard: RAL 9003 white RAL 9006 silver Extra charge: Other RAL colors, DECORAL		According to current ISOTRA a.s. sampler	grey	grey	white	

The plastic covers for the head profile are natural colored (milky).

The plastic covers for the bottom profile are transparent for Cetta 35 and in colors white and grey for Cetta 50.

We do not produce atypical sizes.

#### Standard dimensions

Minimum Width (mm)	Maximum Width (mm)	Maximum Height (mm)	Maximum Guaranteed Area
400	3150	3000	6 m <sup>2</sup>

**Cetta 35/50 Economy 2-00677-3500**

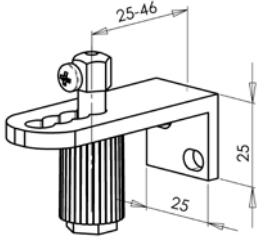
Position	Item name	Business name	Drawing number
10	Head rail 40x40 - galvanized	P 528	6-001277-xxxx
20	Bottom rail 25x10	SR 16/1	3-00460-0000
30	Bearing Economy	P 225/2	2-00676-0000
50	Tilter Economy	P 535	2-00675-0000
51	Brake interior 40x40	A 15/3	6-008350-0001
70	Flat wire Fe/Zn, 3m	A 27/1	6-000144-0000
80-81	Al Slat		See Interior slat swatch
100	Cord 1,4	A 34	6-000153-xxxx
101	Corded stop (pear) plisse	PL 030	6-006131-0000
102	Rivet sleeve Al - pear	PL 033	6-006197-0000
110	Ladder C35 ((28x37mm)	P 301/2	6-010453-xxxx
120,122	Plug for cord holder	P 305	6-004358-0000
130	Raising cord 2,3 mm	PL 002	6-006205-xxxx
135	Pear	A 12 9010	3-00119-9010
143	Plastic clip for 35mm	P 303	6-004501-0000
160	Bottom rail cover C35	P 308/1	6-008824-0000
161	Side guide holder ( bottom rail loop)	P 307/1	6-008825-0000
165	Side cover for head-rail	P 514	6-001245-0000
171	Guidance - wire		
171	Side guiding wire bracket 39-60mm short	P 031	2-00195-0000
171	Side guiding wire bracket 49-70mm short	P 031/1	2-00137-0000
171	Side guiding wire bracket 83-104mm short	P 031/2	2-00136-9006
171	Side guiding wire bracket 111-132mm short	P 031/3	2-00559-9006
171	Side guiding wire bracket 139-160mm short	P 031/4	2-00560-9006
171	Wire tightener exterior Fe/Zn	P 031/5	6-009346-0000
171	Side guiding wire bracket 025-046mm	P 031/6	2-00822-0000
171	Wire tightener	P 043/1	6-011032-PU52
171	Steel wire 2,2mm	P 501	6-001218-0000
171	Bracket (small Z) Zn	P 507	6-001229-0000
171	Tightening Bracket (small Z) Zn	ZA-065	3-01519-PU22
230	Holders for Blinds		
230	Head rail hanger Fe 40x40	P 512	2-00057-0000
230	Hanger universal 40x40	P 512/6	6-010980-0000
230	Fixed Blind Bracket 40x40 / top front cover	P 513	6-001244-0000
330	Endless cord holder	XY 00041	3-02427-0000

## Guidance

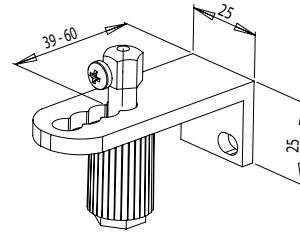
### Wire guide

Guide types for wire-guided blinds  
(Cetta 35, Cetta 50, Cetta 65, Cetta 80, Cetta 80-Flexi)

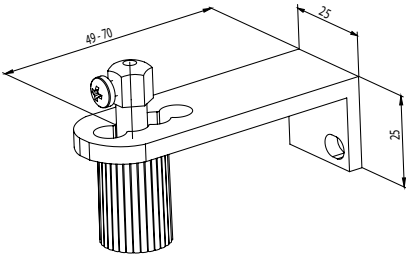
Corner wire guide, 25 - 46 mm P031/6 (2-00822)



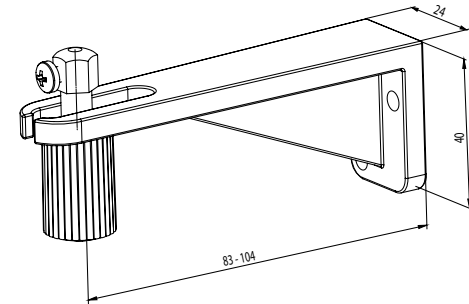
Corner wire guide, 39 - 60 mm P031 (2-00195)



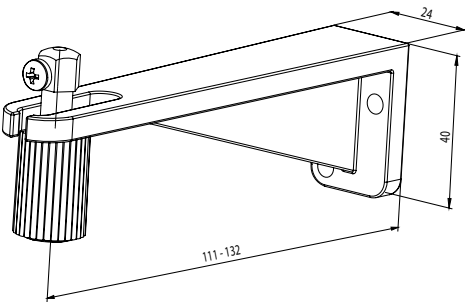
Corner wire guide, 49 - 70 mm P031/1 (2-00137)



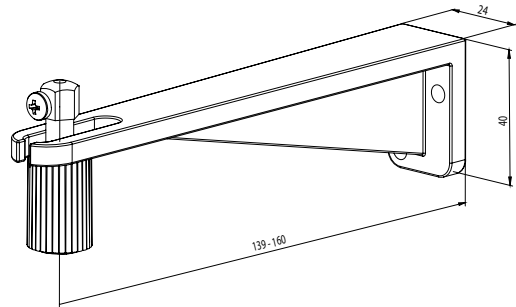
Corner wire guide, 83 - 104 mm P031/2 (2-00136)



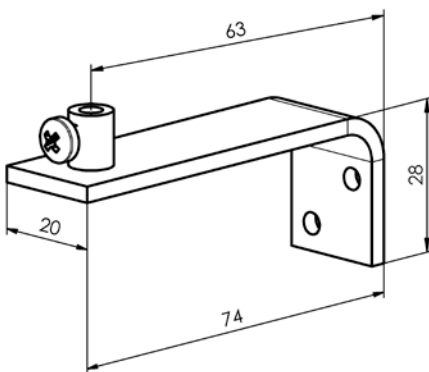
Corner wire guide, 111 - 132 mm P031/3 (2-00559)



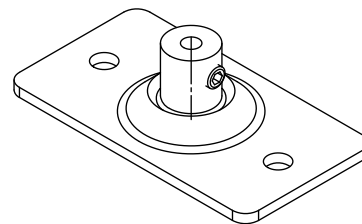
Corner wire guide, 139 - 160 mm P031/4 (2-00560)



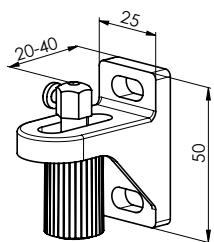
Corner wire guide P031/5 (6-009346)



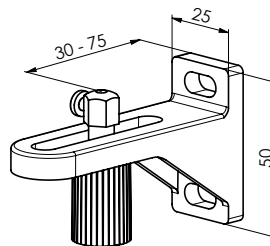
Stretching square P043/1 (6-011032)



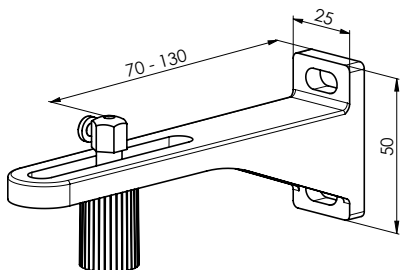
Single wire guide, 20-40 mm P02/1 (2-01649)



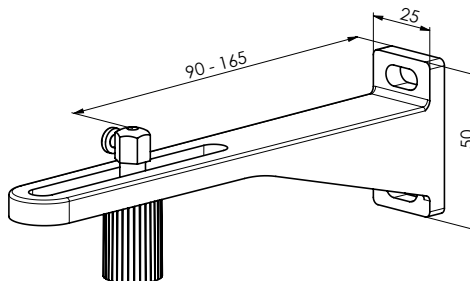
Single wire guide, 30-75 mm P032/2 (2-01648)



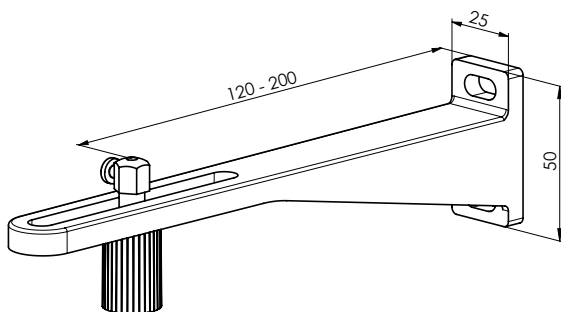
Single wire guide, 70-130 mm P032/3 (2-01647)



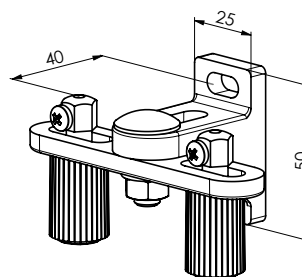
Single wire guide, 90-165 mm P032/4 (2-01646)



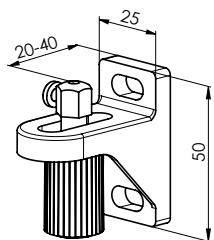
Single wire guide, 120-200 mm P032/5 (2-01645)



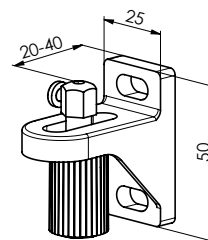
Double wire guide, 40 mm P032/6 (2-01654)



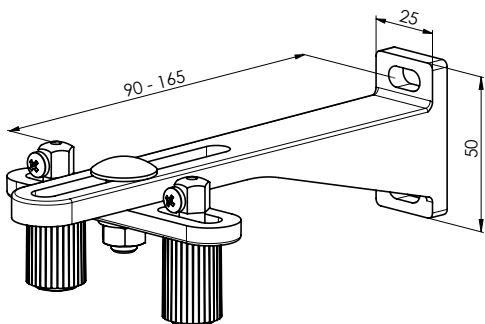
Double wire guide, 48-75 mm P032/7 (2-01653)



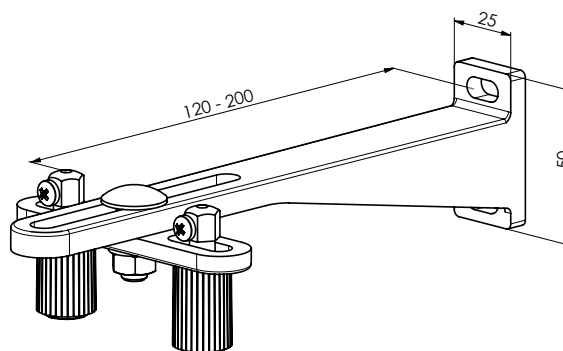
Double wire guide, 70-130 mm P032/8 (2-01652)



Double wire guide, 90-165 mm P032/9 (2-01651)



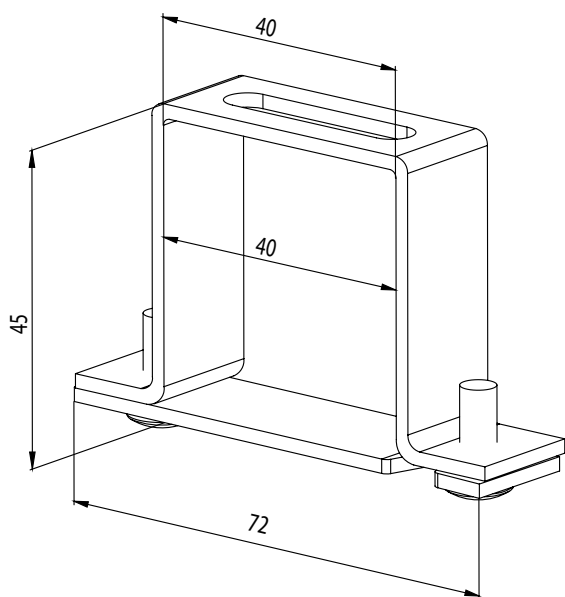
Double wire guide, 120-200 mm P032/10 (2-01650)



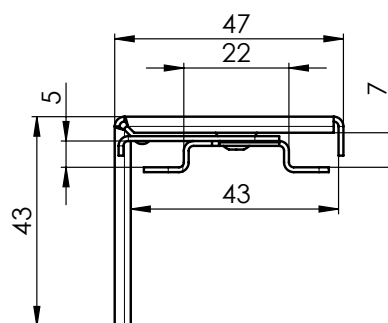
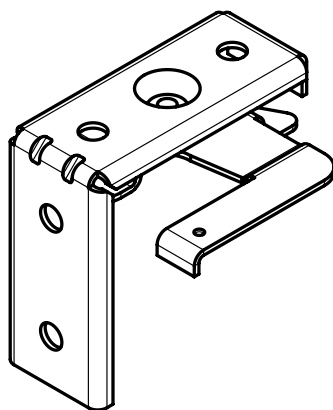
<b>Type of wire guide</b>	<b>Distance between wire and window frame ( mm)</b>
Corner wire guide, 25 - 46 mm P031/6	25 - 46
Corner wire guide, 39 - 60 mm P031	39 - 60
Corner wire guide, 49 - 70 mm P031/1	49 - 70
Corner wire guide, 83 - 104 mm P031/2	83 - 104
Corner wire guide, 111 - 132 mm P031/3	111 - 132
Corner wire guide, 139 - 160 mm P031/4	139 - 160
Corner wire guide, 63 mm P031/5	63
Single wire guide, 20-40 mm P02/1	20 - 40
Single wire guide, 30-75 mm P032/2	30 - 75
Single wire guide, 70-130 mm P032/3	70 - 130
Single wire guide, 90-165 mm P032/4	90 - 165
Single wire guide, 120-200 mm P032/5	120 - 200
Double wire guide, 40 mm P032/6	40
Double wire guide, 48-75 mm P032/7	48 - 75
Double wire guide, 70-130 mm P032/8	70 - 130
Double wire guide, 90-165 mm P032/9	90 - 165
Double wire guide, 120-200 mm P032/10	120 - 200

## Holders for Blinds Cetta 35/50 Economy

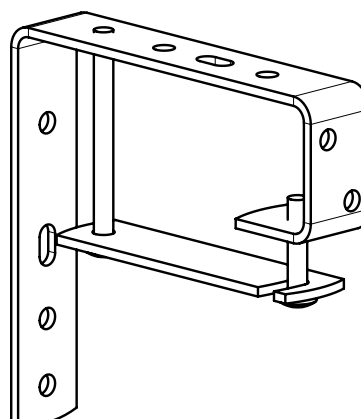
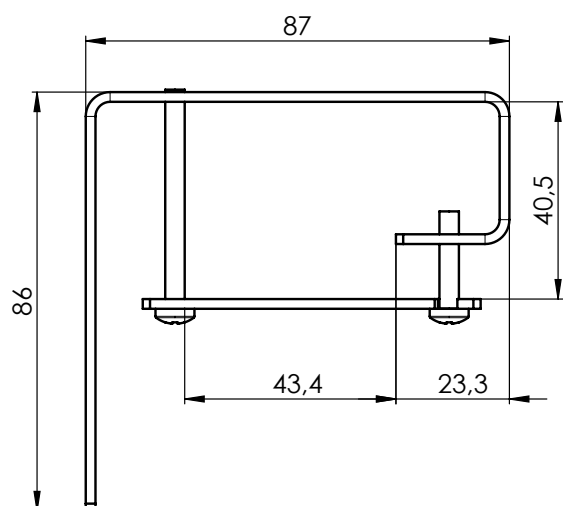
Head rail hanger Fe 40x40  
 P512 (2-00057)



Hanger universal 40x40  
 P512/6 (6-010980)

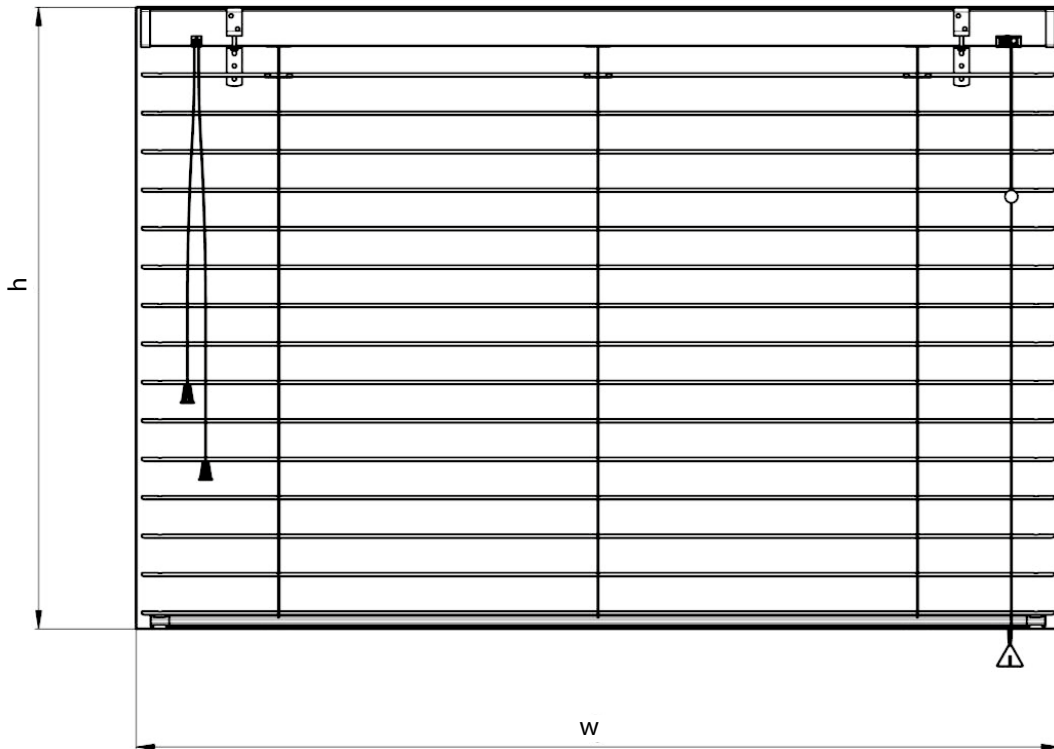


Fixed Blind Bracket 40x40 / top front cover  
 P513 (6-001244)



## Interior blinds Cetta 35, 50 - Economy

### Instructions for measurement



#### Measurements

Cetta 35,50 - Economy blind can be located either into the hole, or in front of the hole with the assembly on the ceiling or on the wall.

The width and height are measured in the following manner:

#### w.... (width)

##### a) Mounting into the hole

The actual width of the hole is measured in three points, dimensions decreased by 5 mm than the measured value is to be stated in the order form.

##### b) Mounting on the hole

The width of the hole which the blind is to cover is to be stated in the order form.

The width of the blind is produced with a precision of millimetres up to the weight of 3,150 mm. **Dimensions outside the stated limits are recommended to be consulted with the manufacturer.**

#### h .... (height)

The total height, including upper profile and the holder of the blind is measured.

The height of the blind is produced with a precision of millimetres up to the height of 3,000 mm.

Dimensions outside the stated limits are recommended to be consulted with the manufacturer.

**Side guiding:** Cetta 35,50 - Economy blind is produced with side guiding (guiding wire 2.2 mm) as well as without side guiding.

**Length of control:** Unless stated in the order otherwise, 2/3 of the height of the blind is selected in the standard variation (for control by the tilting unit cord). The length of the cord is stated by the producer (always connected to the lower profile of the blind)

## Interior blinds Cetta 35, 50 - Economy

### Assembly

Assemble exclusively according to this manual to prevent redundant assembly errors and other related problems.

#### **Tools for assembly**

- Tape measure
- Water gauge
- Pencil
- Hammer
- Cordless electric drill and drills according to base material- Accumulator drill
- Magnetic adapter, Bits PZ2, PH2

#### **Inspection:**

- before assembly we recommend to inspect all parts during the delivery of goods; this will prevent the origination of any problems. Any defects or comments concerning the assembly or blinds must be notified to the manufacturer..

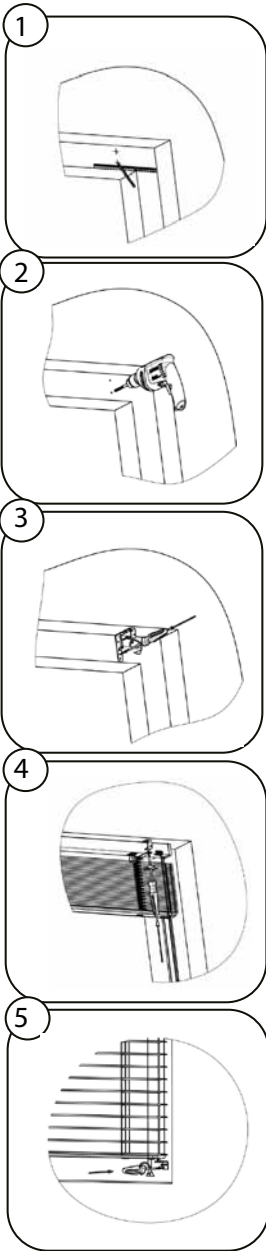
#### **Assembly:**

- Measure the hole and compare with the already prepared blind, check the control mechanism.
- Locate the holders on the blind so as not to intervene into the bearings of the blind and control segments.
- Fix the holders horizontally.
- Insert the blind into the sleeves in the holders and fix.
- Lower the blind into the lower position
- Attach the wire holders if the blind has slats guided by the rope
- At the same time, inspect if the wires do not clamp the slats.

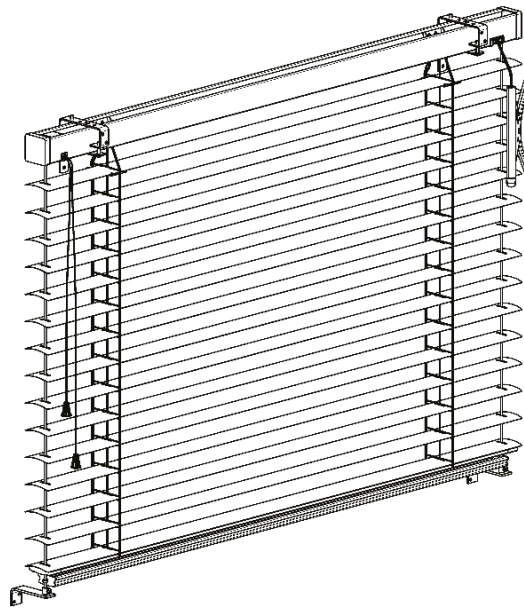
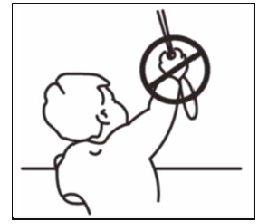
# Isotra economy C35/C50

## Assembly

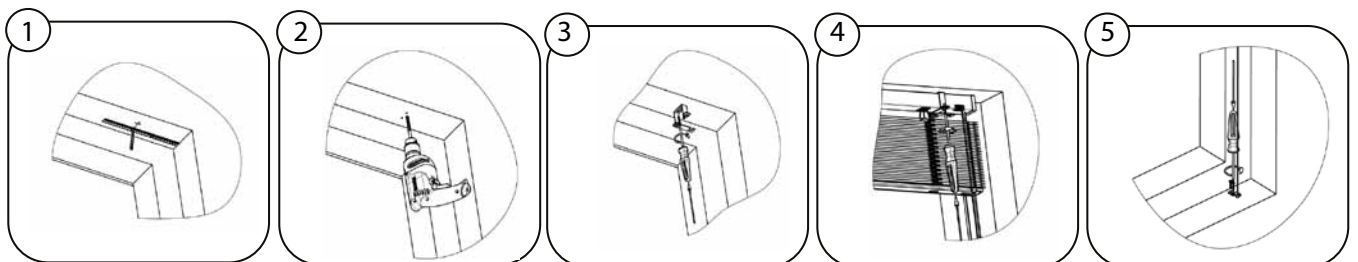
### Wall assembly

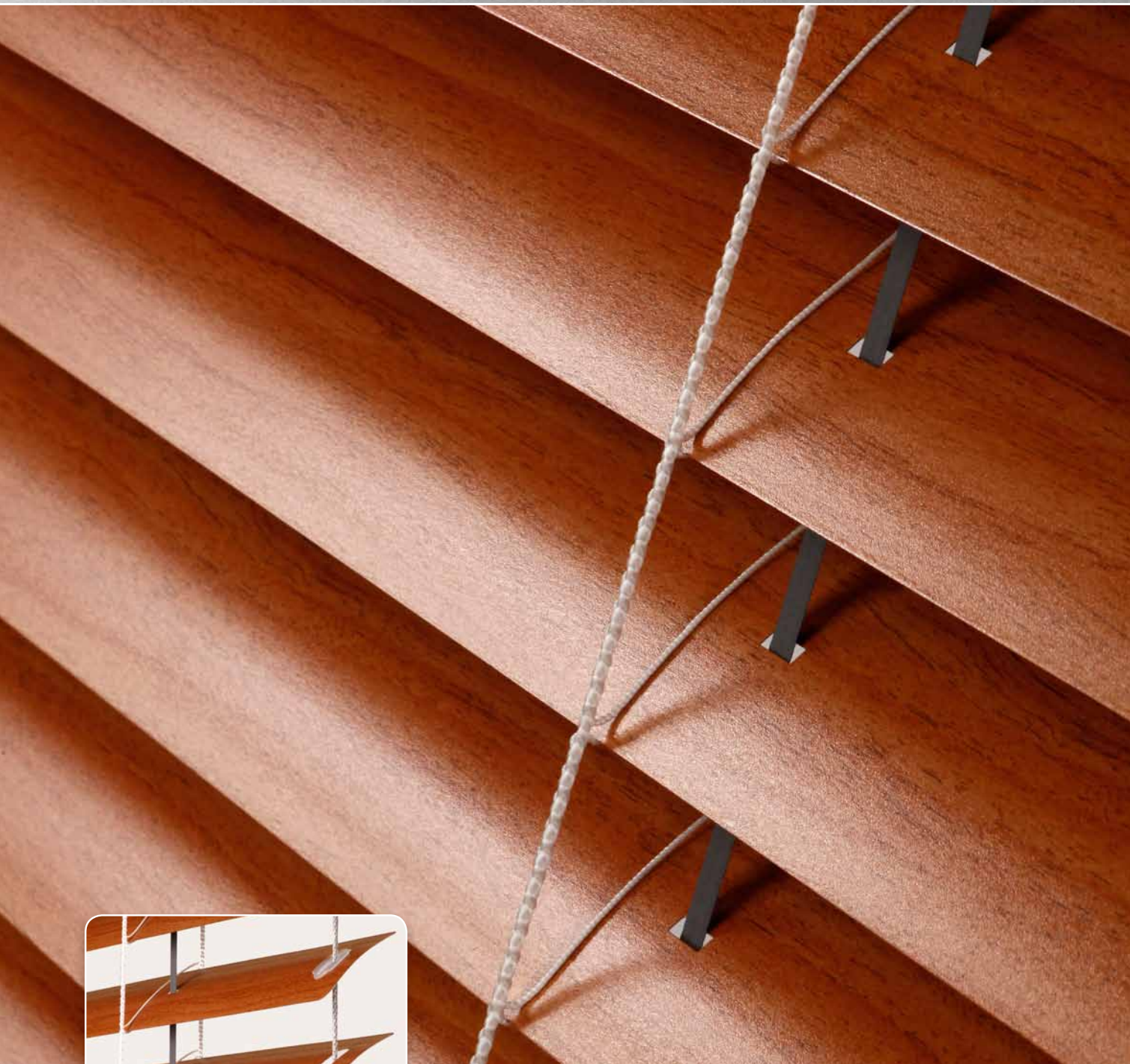


The Blind is installed according to norm  
EN 13120  
about security elements



### Ceiling assembly





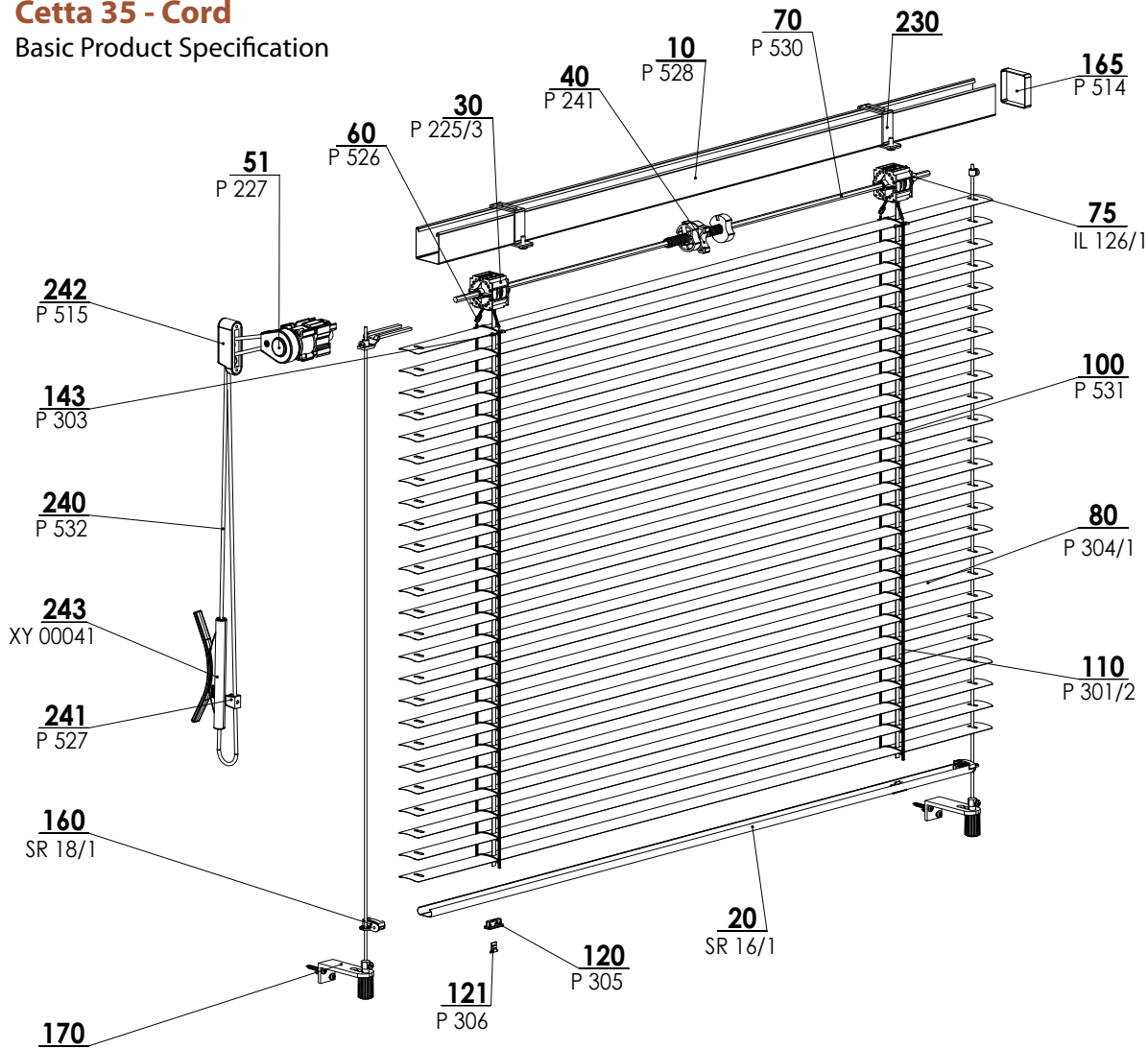
SLAT SHAPE

- ▲ Slat color design also as wood imitation
- ▲ Electrical control option
- ▲ Guaranteed area of up to 10 m<sup>2</sup>

**ISOTRA** *Quality*

## Cetta 35 - Cord

### Basic Product Specification



2-00152-XXXX-E  
CETTA 35- CORD

#### Control

Used for pulling the blind up and down and setting the slat

- Cord** - a plastic cord bushing is installed on the window frame from the interior, which protects the cord against abrasion. The head rail is shortened by 20 mm against the required length from the control side in order to facilitate the cord gearing assembly (color: black-white).
- Handle** - The control wand mechanism is protracted to the interior at the angle of 45° and 90° using a bushing and a hexagonal wand (color design: white / grey).
- Motor** - Optional control using the sun / wind sensor or by a remote control or switch. One motor can control even more blinds simultaneously based on blind dimensions. The motor is then installed on one blind of the group.

#### Specification

	Upper profile			Bottom Profile	Slat	Side Guidance	Ladder	Textile tape	Assembly
	Cord	Handle/ Motor	Handle/ Motor			Steel Wire			
<b>Commercial Name</b>	P 528	P 001	P 001/2	SR 16/1	P 304	P 501	P 301	P 531	ceiling, wall
<b>Dimension (mm)</b>	40 x 40	56 x 58	58 x 60	25 x 10 x 0,4	0,23 x 35	ø 2,2	26 x 38	6 x 0,28	
<b>Material</b>	Fe	Fe	Al	Fe	Al	Fe/PVC	PES	PES	
<b>Color</b>	Standard: RAL 9003 White RAL 9006 Silver  Extra charge: Other RAL colors, DECORAL				According to current ISOTRA a.s. scheme	grey, black	white, grey	grey	

We do not make atypical designs.

#### Standard Dimensions

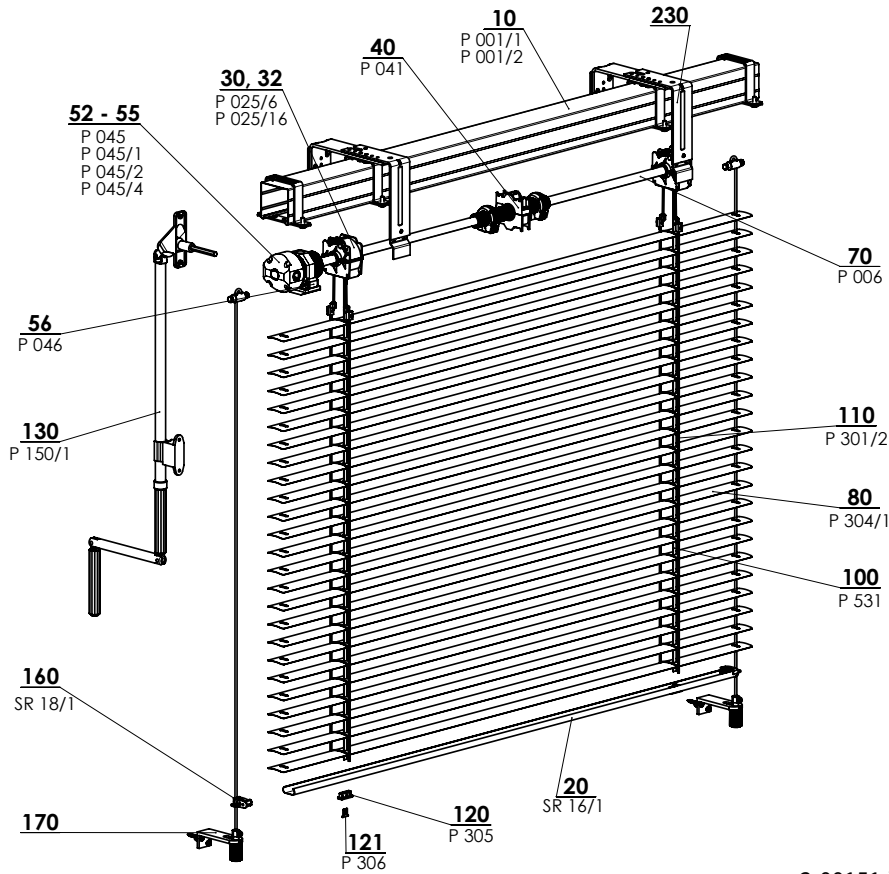
	Minimum Width (mm)	Maximum Width (mm)	Maximum Height (mm)	Maximum Guaranteed Area
	400	3500	3000	6 m <sup>2</sup> (Cord control)
	400	3500	3000	8 m <sup>2</sup> (Handle control)
	600	3500	3000	10 m <sup>2</sup> (Motor control)

**Cetta 35 - cord 2-00152-3501**

<b>Position</b>	<b>Item name</b>	<b>Business name</b>	<b>Drawing number</b>
10	Head rail 40x40	P 528	6-001277-xxxx
20	Bottom rail - 25x10	SR 16/1	3-00460-0000
30	Bearing C50 - without ball cord	P 225/3	2-01046-0000
40	End stop 40x40	P 241	2-00049-0000
51	Gearing 40x40 - plastic - cord	P 227	2-00133-XXXX
60	Ladder connector	P 526	6-001275-0000
70	Tilt rod - hexagonal 6 mm	P 530	6-001278-0000
75	Hexagonal metal ring	IL 126/1	6-010981-0000
80	Al stat		See Slat Cetta 35/50 sampler
100	Lift tape	P 531	6-001284-9006
110	Ladder C35	P 301/2	6-010453-xxxx
120	Plug for cord holder	P 305	6-004358-0000
121	Plug for cord holder	P 306	6-004359-0000
143	Fixed bracket for slat 35 mm	P 303	6-004501-0000
160	Bottom rail cover C35	P 308/1	6-008824-0000
161	Side guide holder ( bottom rail loop)	P 307/1	6-008825-0000
165	Side head rail cover	P 514	6-001245-0000
170	Guidance - wire		See Section "Guides"
230	Holdings for Blinds		See Section "Blind Holders"
240	Cord	P 532	6-001258-xxxx
241	Cord holder	P 527	6-001276-9010
242	Bushing cord	P 515	6-001248-0000
243	Cord holder	XY 00041	3-02427-0000

### Cetta 35 - Handle

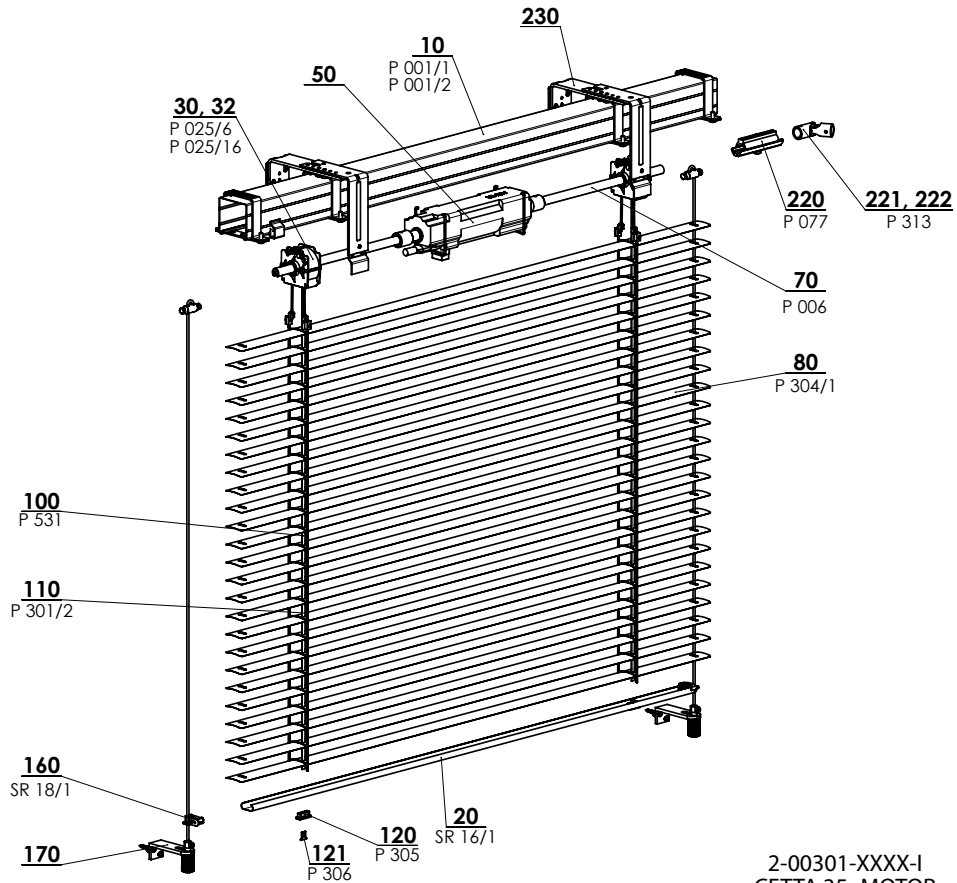
Basic Product Specification



2-00151-XXXX-G  
CETTA 35- HANDLE

### Cetta 35 - Motor

Basic product specification - Cetta 35 motor, channel 56x58



2-00301-XXXX-I  
CETTA 35- MOTOR

**Cetta 35 - handle 2-00151-3501**

Position	Item name	Business name	Drawing number
10	Head rail, Fe 56x58	P 001/1	3-00166-PU22
10	Head rail, Al 58x60	P 001/2	7-301180-0000
12	Head rail 40x40	P 528	6-001277-xxxx
20	Bottom rail 25x10	SR 16/1	3-00460-0000
20	Bottom rail - 50 mm	P 508	6-001230-PU22
30	Bearing C50 - 6 mm	P 025/6	2-00045-9004
31	Bearing C50 - without ball cord	P 225/1	2-00365-0000
32	Bearing C50 - 6 mm - LITE	P 025/16	2-00848-9004
40	End stop 56x58	P 041	2-00048-9004
41	End stop 40x40	P 241	2-00049-0000
50	Hexagonal gearing	P 517	6-001250-0000
51	Gearing 40x40 - plastic	P 228	2-00132-0000
52	Square gearing	P 045	6-001179-0000
53	Square gearing - through-hole	P 045/1	6-001180-0000
54	Square gearing - extended STS	P 045/4	6-008115-0000
55	Hexagonal gearing	P 045/2	6-003417-0000
56	Holding bracket for gearing	P 046	6-001181-0000
60	Ladder connector	P 526	6-001275-0000
70	Flat rod	P 006	7-300198-0000
71	Tilt rod - hexagonal 6 mm	P 530	6-001278-0000
75	Hexagonal metal ring	IL 126/1	6-010981-0000
80	Al slat	P 304/1	See Slat Cetta35/50 sampler
82	Pad for slat and wire	P 506	3-00170-0000
100	Lift tape	P 531	6-001284-9006
110	Ladder C35	P 301/2	6-010453-xxxx
120	Bottom rail plug	P 525/1	6-001273-0001
120	Plug for cord holder	P 305	6-004358-0000
121	Plug for cord holder	P 306	6-004359-0000
130	Handle		See "Controls"
143	Fixed bracket for slat 35 mm	P 303	6-004501-0000
160	Bottom rail cover C35	P 308/1	6-008824-0000
161	Side guide holder ( bottom rail loop)	P 307/1	6-008825-0000
165	Side head rail cover	P 514	6-001245-0000
170	Guidance - wire		See Section "Guides"
230	Holders for Blinds		See Section "Blind Holders"

**Cetta 35 - motor 2-00301-3501**

Position	Item name	Business name	Drawing number
10	Head rail, Fe 56x58	P 001/1	3-00166-PU22
10	Head rail, Al 58x60	P 001/2	7-301180-0000
20	Bottom rail 25x10	SR 16/1	3-00460-0000
32	Bearing C50 - 6 mm - LITE	P 025/16	2-00848-9004
50	Motor		See "Controls"
70	Flat rod	P 006	7-300198-0000
80	Al slat	P 304/1	See Slat Cetta 35/50 sampler
100	Lift tape	P 531	6-001284-9006
110	Ladder C35	P 301/2	6-010453-xxxx
120	Plug for cord holder	P 305	6-004358-0000
121	Plug for cord holder	P 306	6-004359-0000
160	Bottom rail cover C35	P 308/1	6-008824-0000
161	Side guide holder ( bottom rail loop)	P 307/1	6-008825-0000
170	Guidance - wire	P 304/1	See Section "Guides"
220	Rod connector	P 077/3	6-017032-0000
221, 222	Rod connector	P 313	6-003075-0000
230	Holders for Blinds		See Section "Blind Holders"

## Controls

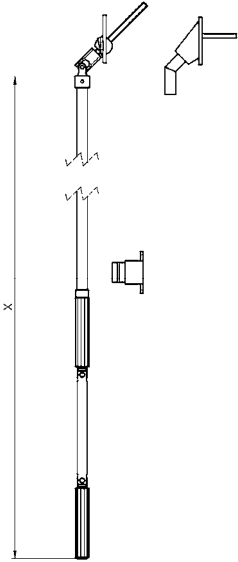
### Control - handle - position 130

The controls serve for pulling the blind up and down and setting the slat.

The rod control mechanism is to be passed to the interior at an angle of 45° and 90° using a bushing and a hexagonal or square rod.

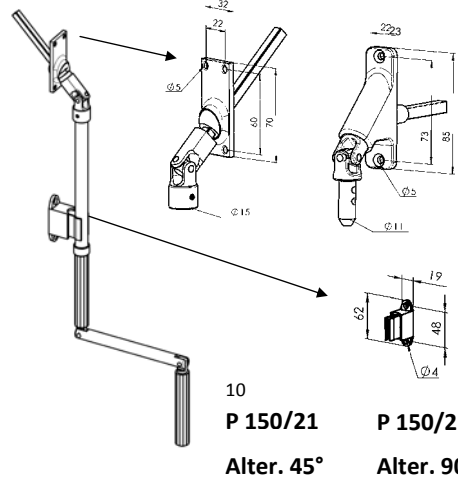
Rod colour versions: white; anodised

### Handle length determination

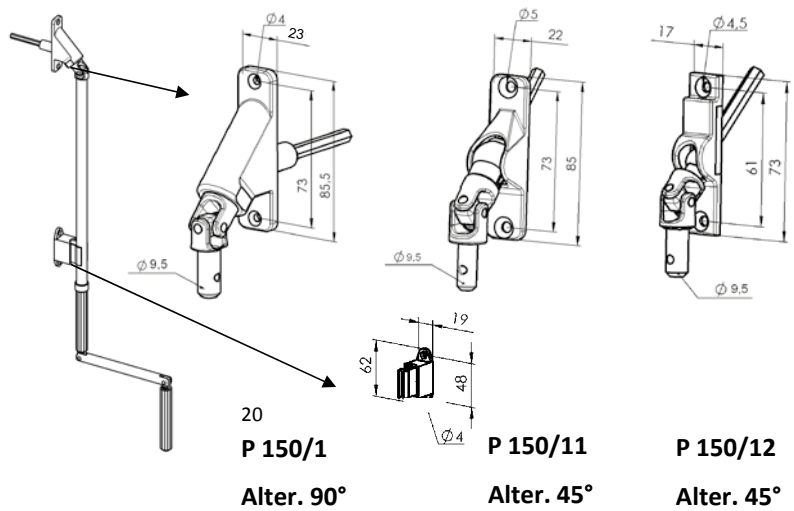


### Handle types

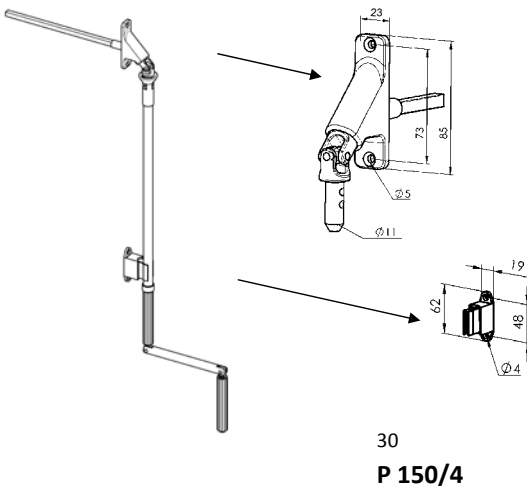
Complete handle square 45° P150/21 (32x70)  
Complete handle square 90° P150/2 (23x85)



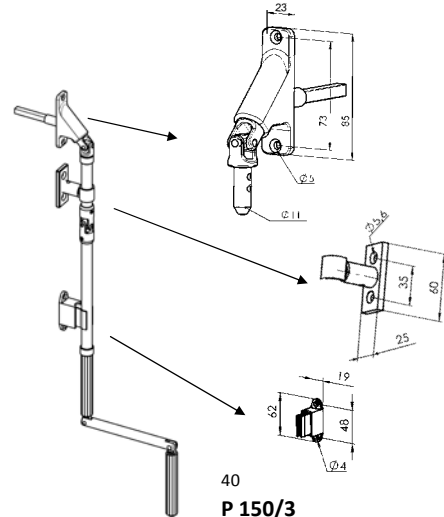
Complete handle hexagonal 90° P150/1 (23x85)  
Complete handle hexagonal 45° P150/11 (22x85)  
Complete handle hexagonal 45° small P150/12 (17x73)



### Complete handle removable square 90° P150/4 (23x85)

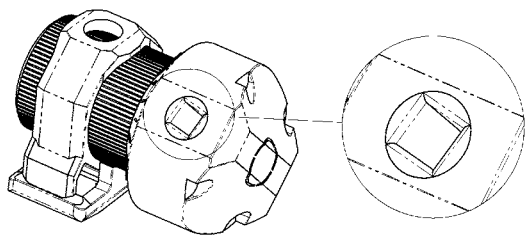


### Complete handle with cardan square 90° P150/3 (23x85)

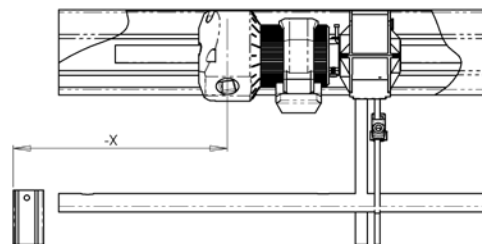


## Gearing Type

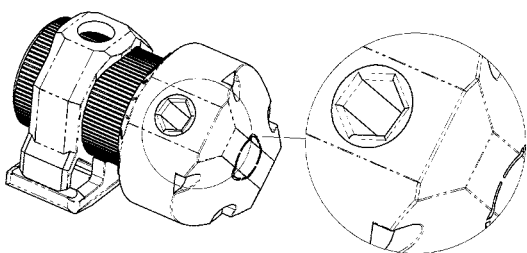
Gearing with square aperture  
P 045 (6-001179)



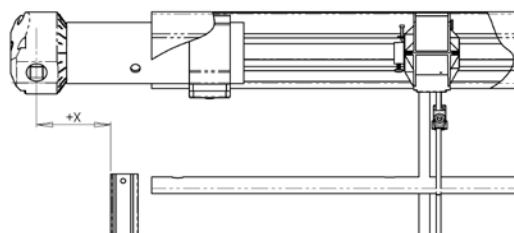
Gearing with square aperture, through  
P 045/1 (6-001180)



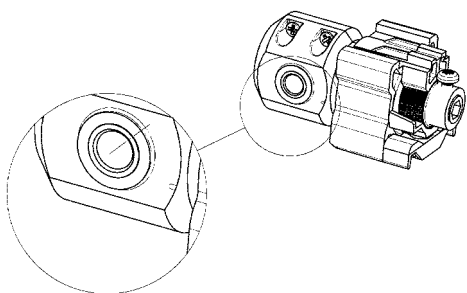
Gearing with hexagonal aperture  
P 045/2 (6-003417)



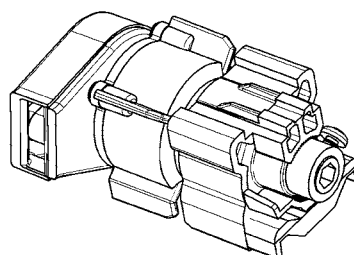
Gearing with hexagonal aperture, extended  
P 045/4 (6-008115)



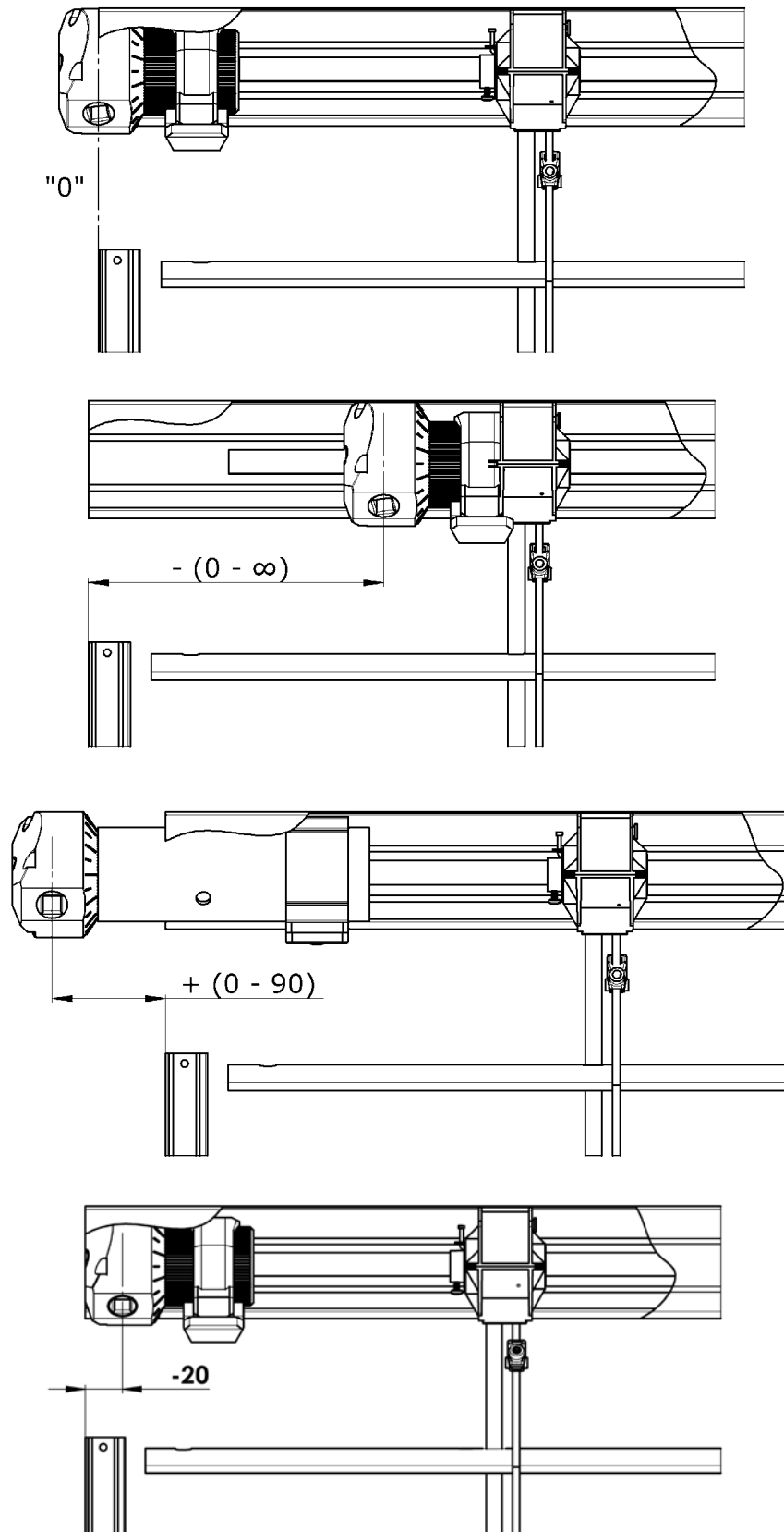
Gearing with hexagonal aperture for handle control  
(Cetta 35, Cetta 50)  
P 228 (2-00132)



Gearing for cord control  
(Cetta 35, Cetta 50)  
P 227 (2-00133)



Gearing Shift Scheme



The gearing position (possible shift) in the head rail depends on the specific mounting of frame window, reveal. The gearing axis is the distance of the gearing center axis from the outer edge of guiding channel, or outer edge of slat in the case of the steel wire guidance.

**Safety Instructions:**

- As soon as you reach the end stop, do not try to continue moving the handle.
- Rotate the handle only in the respective direction, evenly, and without applying force.

## Motor control

### Motor control - position 50

Motor controls serve for pulling the blind up and down and setting the slat.

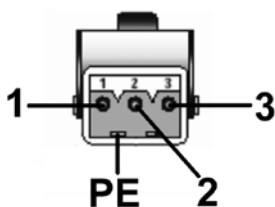
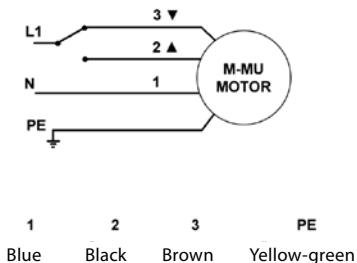
Motor controls allow selecting the control by the sun/wind sensor, remote control, or switch. It is possible to control several blinds at once depending on their dimensions. In this case, the motor is located in one blind in the group.

### Types of motors

Item name	Business name	Drawing number
Motor GJ5603 - 3Nm - complete set	P 093/1	6-006880-xxxx
Clip for motor cable	P 202	6-006483-0000
Motor J002 left (1,5Nm)		6-011272-xxxx
Motor J406 6/24 WT (6Nm)	P 073/6J	6-002594-xxxx
Motor J418 18/24 IO (18Nm)		6-011389-xxxx
Metal holder for Somfy HTM cable		6-011384-0000
Motor J410 RTS 10/24 WT (10 Nm)		6-002593-xxxx
Motor J506 6/26 HTM (6Nm)	P 073/6JHTM	6-010361-xxxx
Female STAK3 - Hirschmann		6-001658-0000
Clip for motor cable	P 202	6-006483-0000
Motor ELERO JA 06 SOFT, 6Nm	P 096/6	6-008179-xxxx
Bearing 70-90 NHK, 12mm 4hr.		6-011804-0000
Bearing 50-65 NHK, 12mm 4hr.		6-011810-0000
Motor ELERO JA 10 NHK-A,10Nm		6-011801-0010
Thinwall closed profile 12x12x1,5 A2		6-011802-1215
Hexagonal gearing 12x12mm,NHK		6-011803-0000
Holding bracket for gearing GEIGER		6-011805-0000
Adapter for flat rod 14 mm - motors GEIGER		6-001624-0004
Pad M5		6-002350-0000
Screw M5x8		6-002353-0000

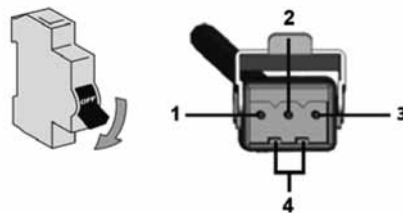
## Motor control

### Motor Wiring Diagram



1 - Neutral wire (N)  
2 - Phase wire (up)  
3 - Phase wire (down)  
PE - Ground wire

### RTS Motor Wiring Diagram



1 - Neutral wire (N)  
2 - Phase wire (L)  
3 - Not connected  
4 - Ground wire (PE)

Parameter	motor Somfy	motor Geiger
Torque	6 - 18 Nm	3 - 20 Nm
Power Input	90 - 210 W	90 - 190 W
Current Consumption	0,41 - 0,7 A	0,4 - 0,85 A
Nominal Voltage	230 V / 50 Hz	230 V / 50 Hz
RPM	24 ot./min.	26 ot./min.
End Switch Capacity	73	80
Motor Protection Class	IP54	IP54
Maximum Operation Time	cca 6 min.	cca 6 min.
Weight	1,35 - 2,41 kg	1,5 - 2,2

### Important Instructions:

- The electric equipment can be assembled only by qualified persons.
- Never connect more than one motor to one switch. One switch can control more drives only in the case of group control.

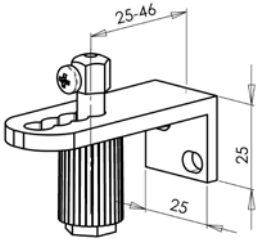
Note: See the manuals of Somfy, Geiger and Elero companies for detailed wiring diagrams.

## Guidance

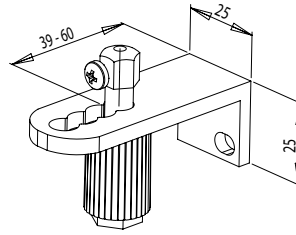
### Guidance - wire

#### Guide types for wire-guided blinds

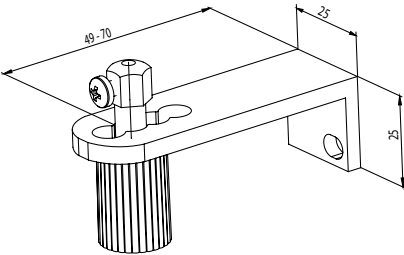
Corner wire guide, 25 - 46 mm P031/6 (2-00822)



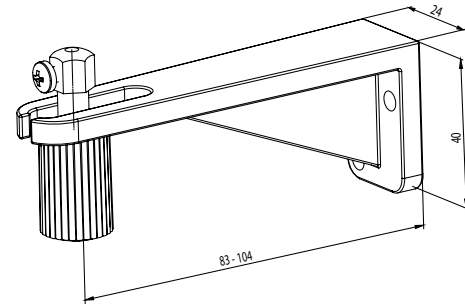
Corner wire guide, 39 - 60 mm P031 (2-00195)



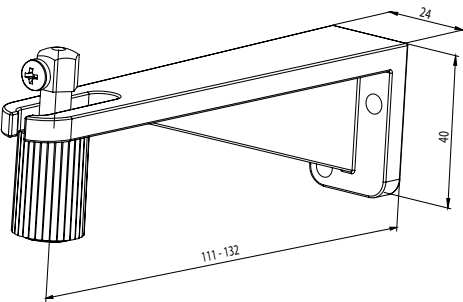
Corner wire guide, 49 - 70 mm P031/1 (2-00137)



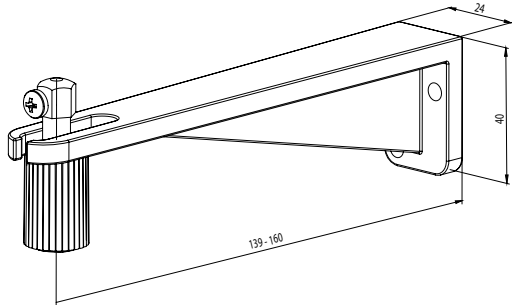
Corner wire guide, 83 - 104 mm P031/2 (2-00136)



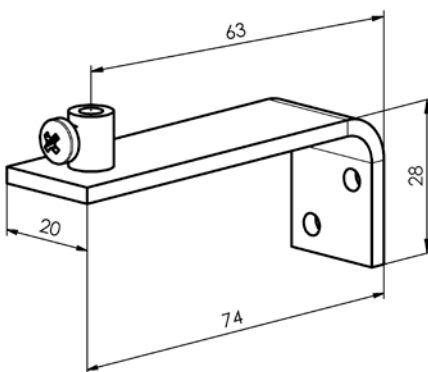
Corner wire guide, 111 - 132 mm P031/3 (2-00559)



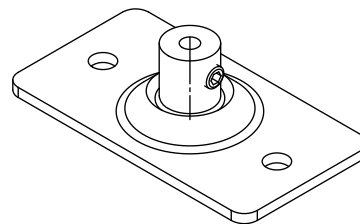
Corner wire guide, 139 - 160 mm P031/4 (2-00560)



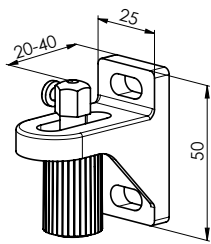
Corner wire guide P031/5 (6-009346)



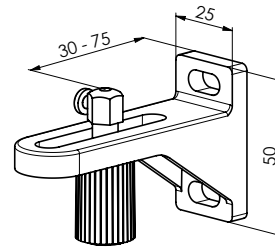
Stretching square P043/1 (6-011032)



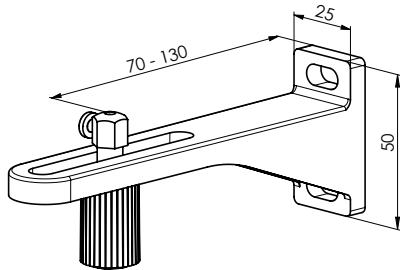
Single wire guide, 20-40 mm P02/1 (2-01649)



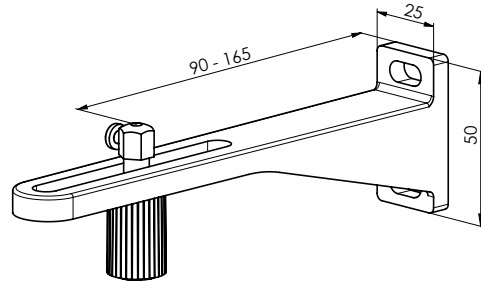
Single wire guide, 30-75 mm P032/2 (2-01648)



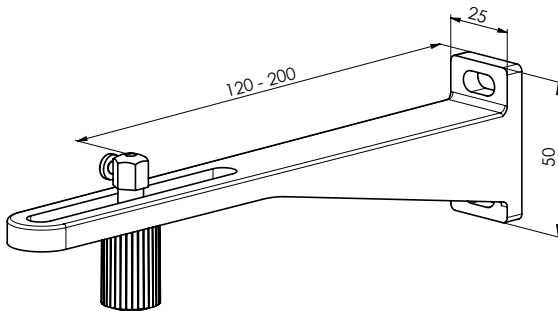
Single wire guide, 70-130 mm P032/3 (2-01647)



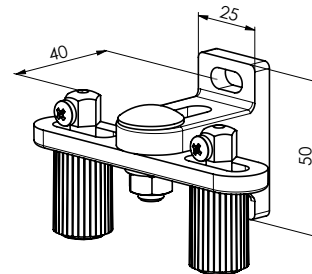
Single wire guide, 90-165 mm P032/4 (2-01646)



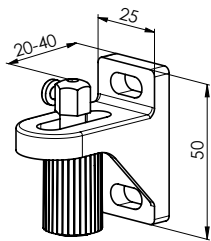
Single wire guide, 120-200 mm P032/5 (2-01645)



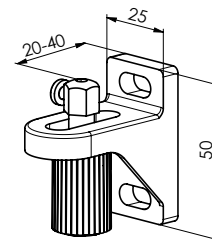
Double wire guide, 40 mm P032/6 (2-01654)



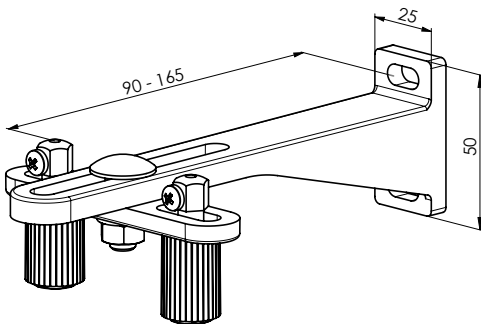
Double wire guide, 48-75 mm P032/7 (2-01653)



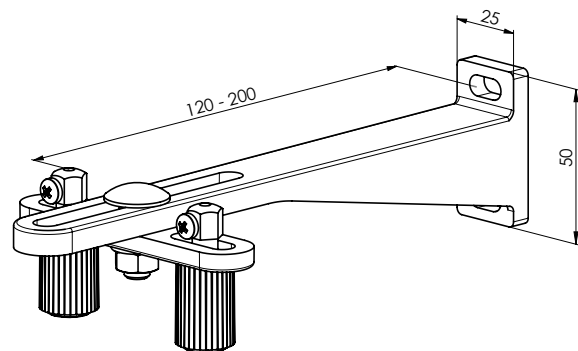
Double wire guide, 70-130 mm P032/8 (2-01652)



Double wire guide, 90-165 mm P032/9 (2-01651)



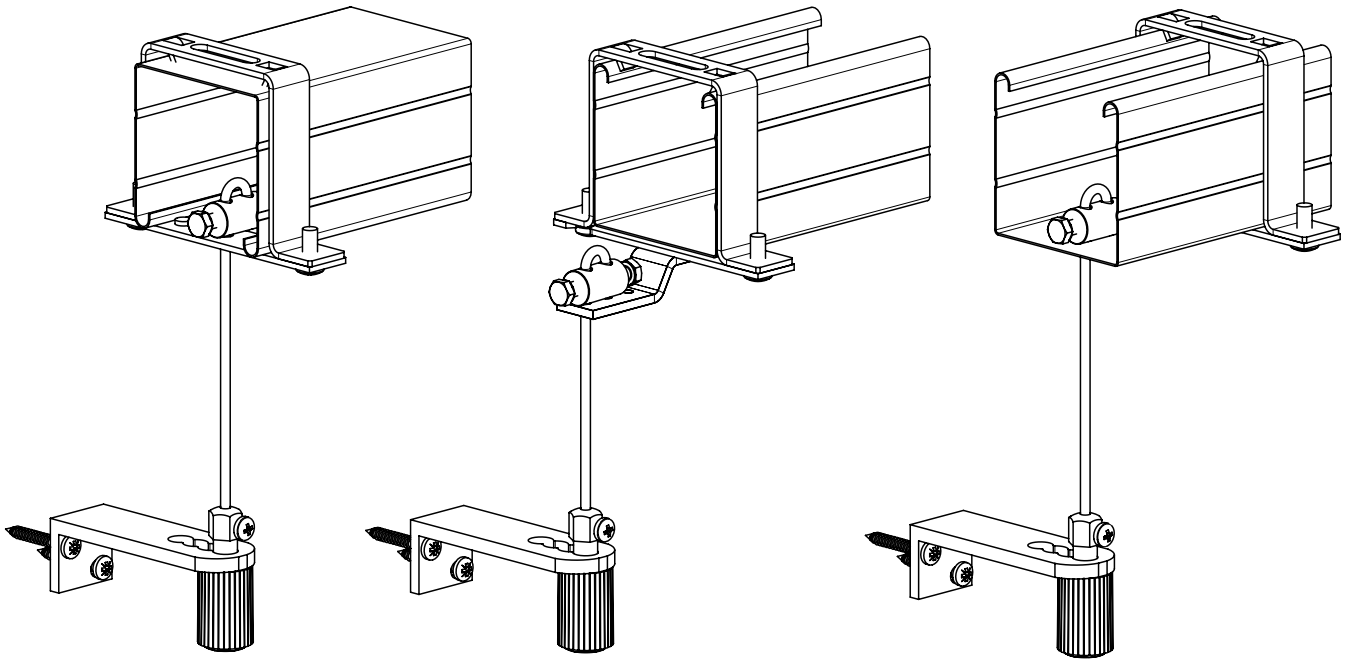
Double wire guide, 120-200 mm P032/10 (2-01650)



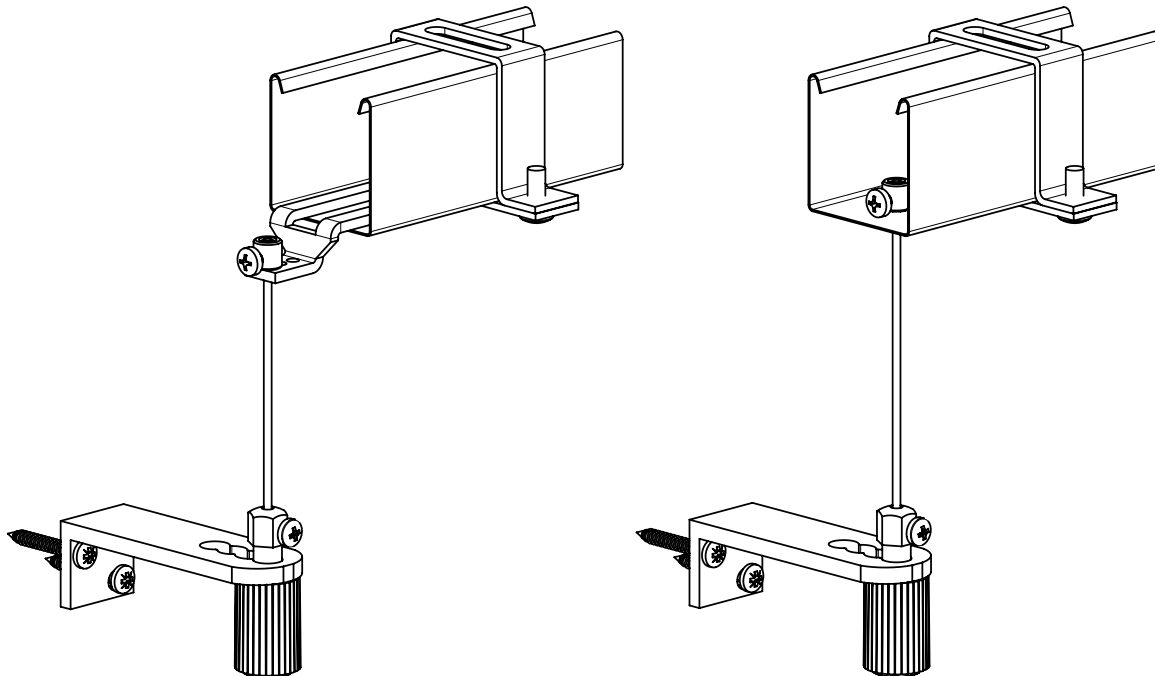
<b>Type of wire guide</b>	<b>Distance between wire and window frame ( mm)</b>
Corner wire guide, 25 - 46 mm P031/6	25 - 46
Corner wire guide, 39 - 60 mm P031	39 - 60
Corner wire guide, 49 - 70 mm P031/1	49 - 70
Corner wire guide, 83 - 104 mm P031/2	83 - 104
Corner wire guide, 111 - 132 mm P031/3	111 - 132
Corner wire guide, 139 - 160 mm P031/4	139 - 160
Corner wire guide, 63 mm P031/5	63
Single wire guide, 20-40 mm P02/1	20 - 40
Single wire guide, 30-75 mm P032/2	30 - 75
Single wire guide, 70-130 mm P032/3	70 - 130
Single wire guide, 90-165 mm P032/4	90 - 165
Single wire guide, 120-200 mm P032/5	120 - 200
Double wire guide, 40 mm P032/6	40
Double wire guide, 48-75 mm P032/7	48 - 75
Double wire guide, 70-130 mm P032/8	70 - 130
Double wire guide, 90-165 mm P032/9	90 - 165
Double wire guide, 120-200 mm P032/10	120 - 200

## Wire guide - methods of attachment

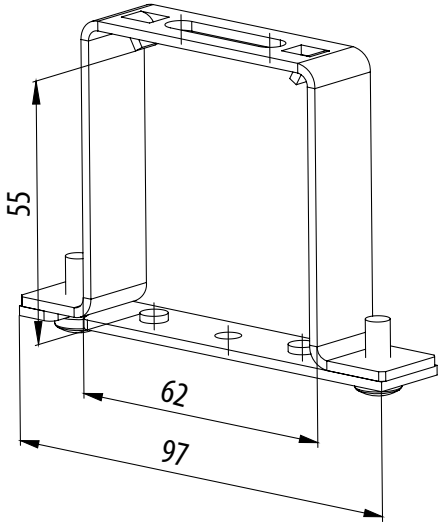
Channel 56 x 58



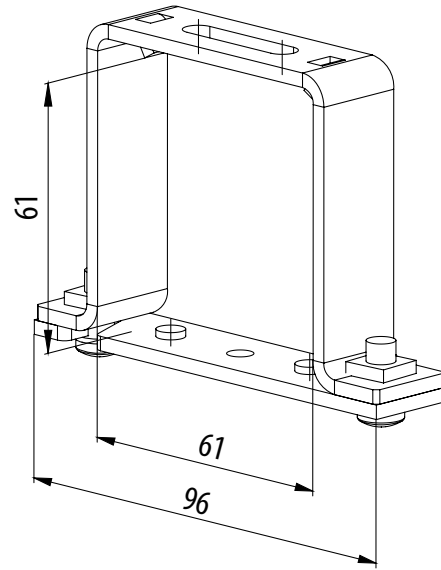
Channel 40x40



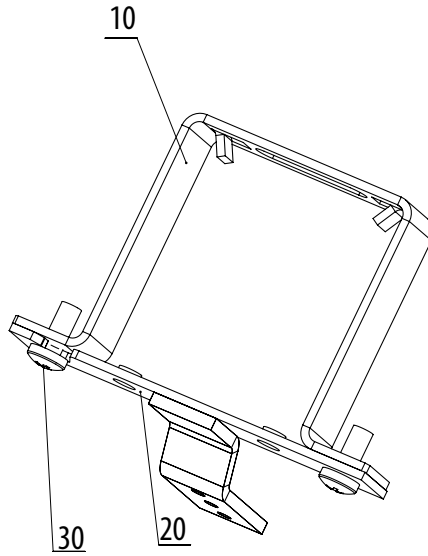
Head rail hanger Fe P002 (2-00038)  
(for head rail 56x58)



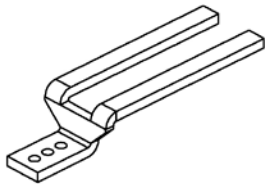
Head rail hanger AI P002/1 (2-00160)  
(for head rail 58x60)



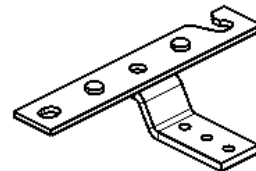
Head rail section hanger FE  
for cord guide (2-00685)  
(for head rail 56x58)



Guide P534/1 (7-301796)  
for negative (-) axis (-10 ≥ -32)



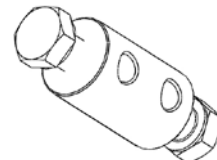
Shutter with holder (2-00684)  
for positive (+) axis (+11 ≥ +32)



Clamping screw P507 (6-001229)  
for wire P501 (2,2 mm) (C50)

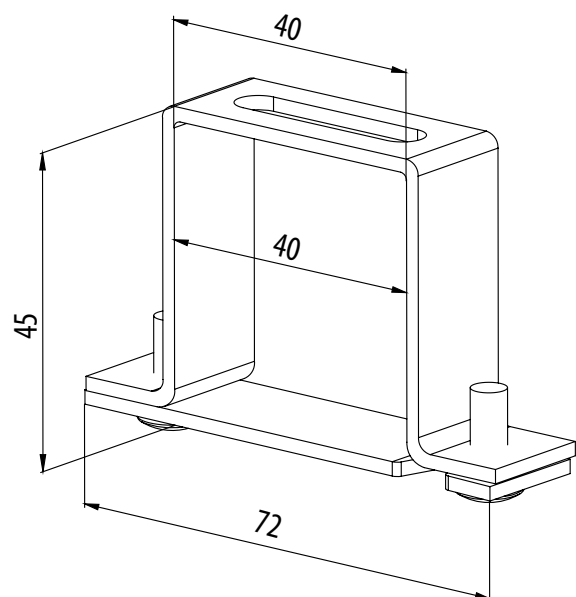


Clamping screw P312 (2-00174)  
for wire P 036 (3,2 mm)

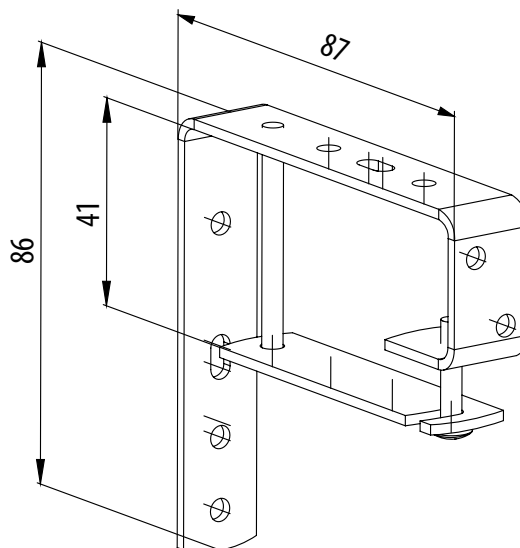


## Holders for Blind Cetta 35

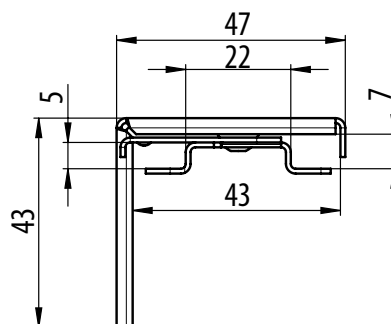
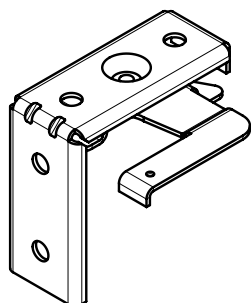
Fixed hanger P512 (2-00057)  
(for head rail 40x40)



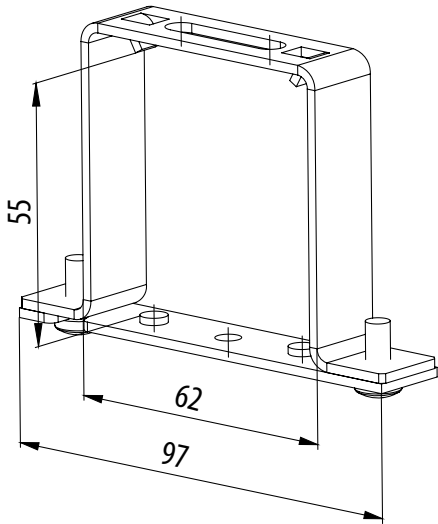
Fixed hanger with front cover  
P513 (6-001244)  
(for head rail 40x40)



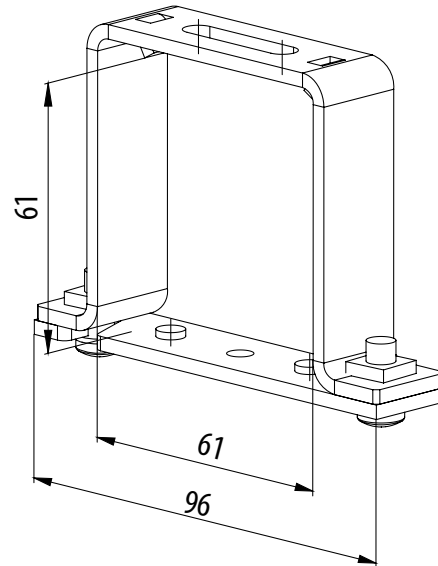
Universal openable hanger  
P512/6 (6-010980)  
(for head rail 40x40)



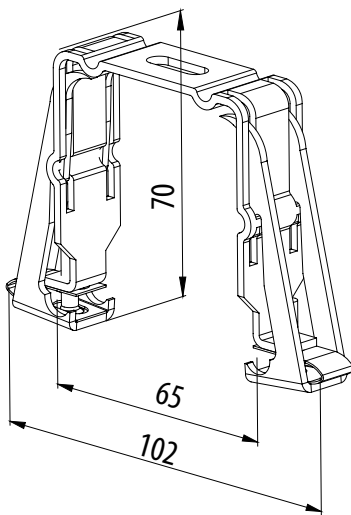
Head rail hanger Fe P002 (2-00038)  
(for head rail 56x58)



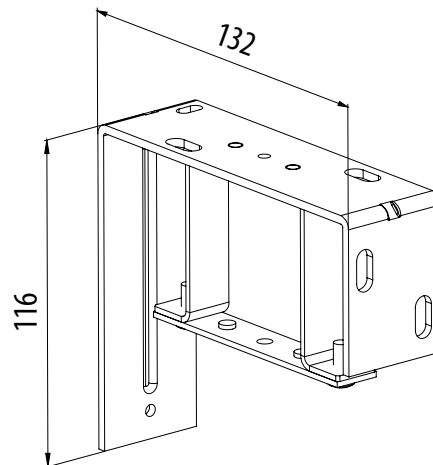
Head rail hanger Al P002/1 (2-00160)  
(for head rail 58x60)



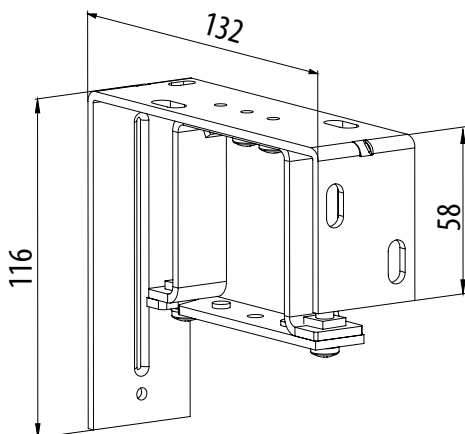
Head rail hanger Fe click P002/3  
(6-002319) for head rail 56x58)



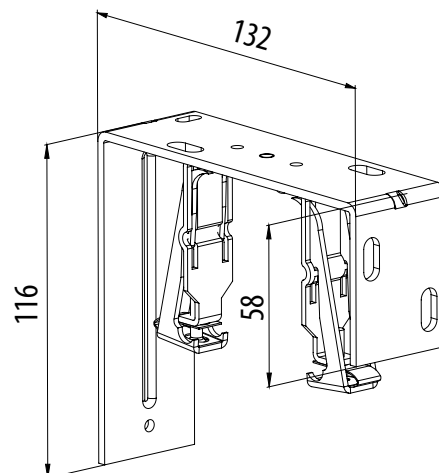
Fixed hanger (inner hanger Fe) for head rail 132 mm  
P010 (2-00353) for head rail 56x58



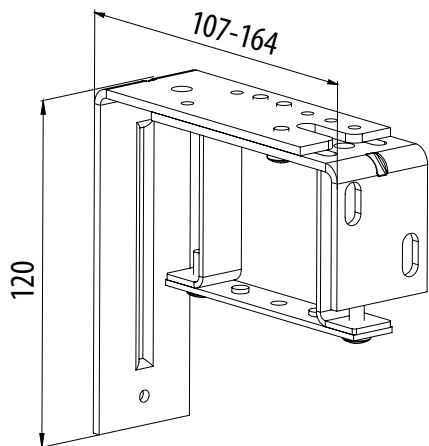
Fixed hanger (vnitřní věšák Al) 132 mm  
P011 (2-00384)  
(for head rail 58 x 60)



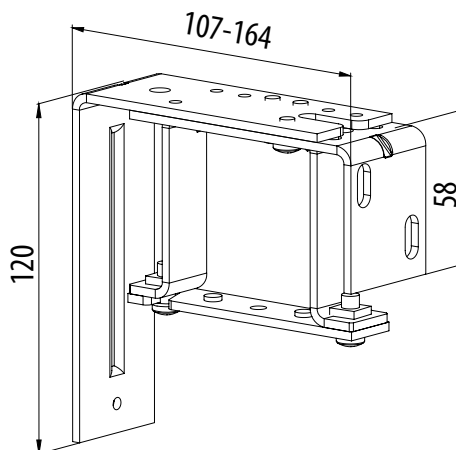
Fixed hanger (inner hanger Fe Click) for head rail 132 mm  
P009 (2-00403)  
(for head rail 56 x 58)



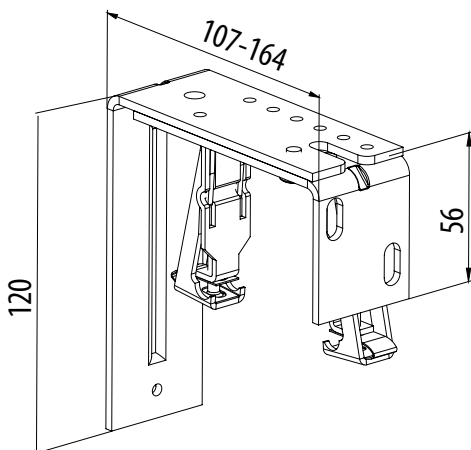
Adjustable hanger (inner hanger for head rail Fe) 107 - 164 mm  
 P010/1 (2-00354)  
 (for head rail 56 x 58)



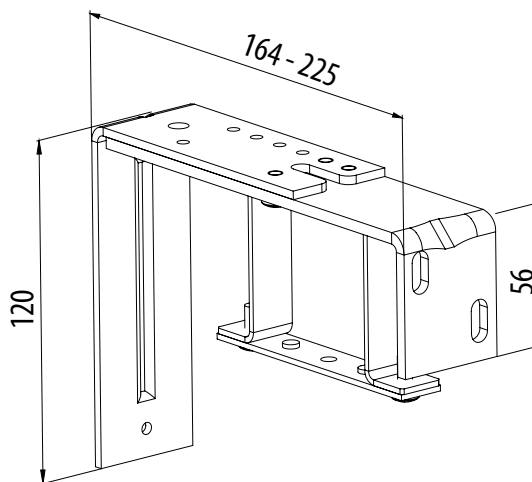
Adjustable hanger (inner hanger for head rail Al) 107 - 164 mm  
 P011/1 (2-00373)  
 (for head rail 58 x 60)



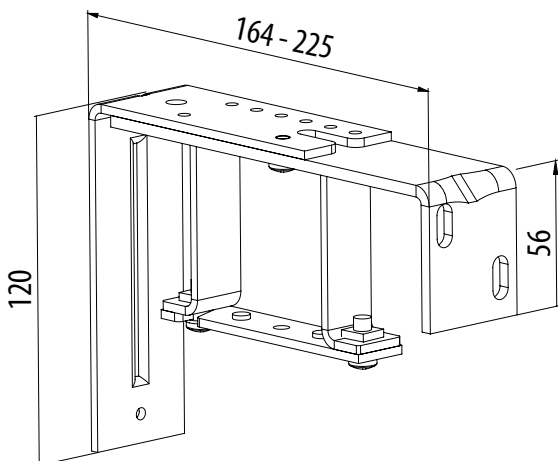
Adjustable hanger (inner hanger for head rail Fe Click) 107 - 164 mm  
 P009/1 (2-00404)  
 (for head rail 56 x 58)



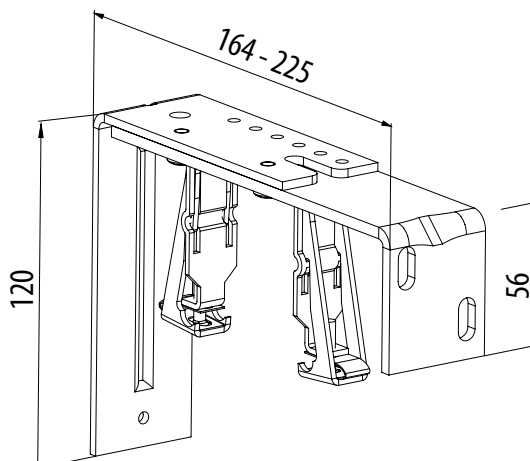
Adjustable hanger (inner hanger for head rail Fe) 164 - 225 mm  
 P010/2 (2-00355)  
 (for head rail 56 x 58)



Adjustable hanger (inner hanger for head rail Al) 164 - 225 mm  
 P011/2 (2-00374)  
 (for head rail 58 x 60)

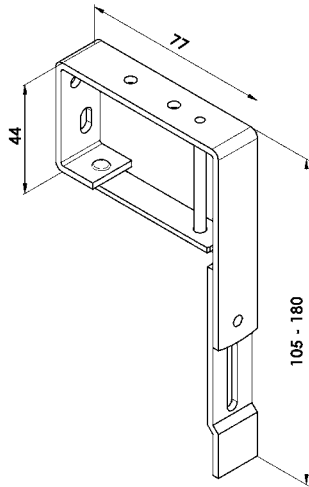


Adjustable hanger (inner hanger for head rail Fe Click) 164 - 225 mm  
 P009/2 (2-00405)  
 (for head rail 56 x 58)

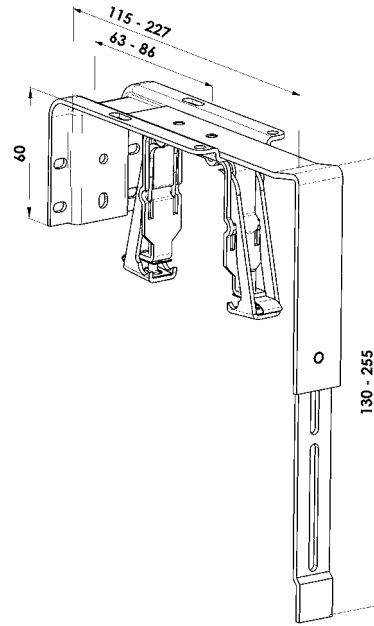


**Holders KBT1 - 11**

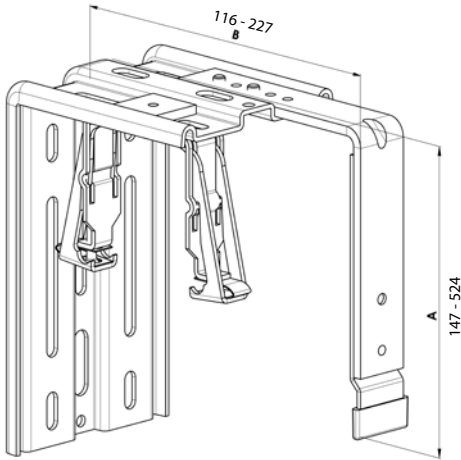
**KBT1**  
(for head rail 40 x 40)



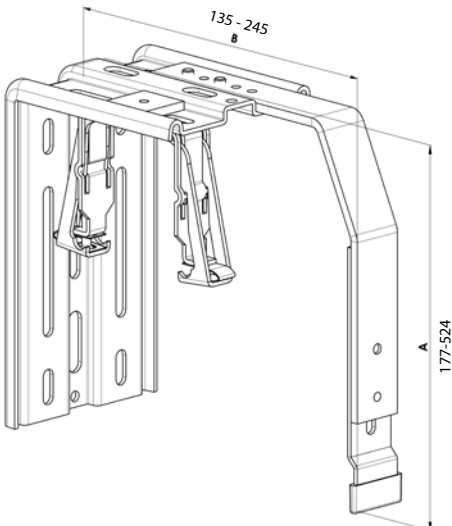
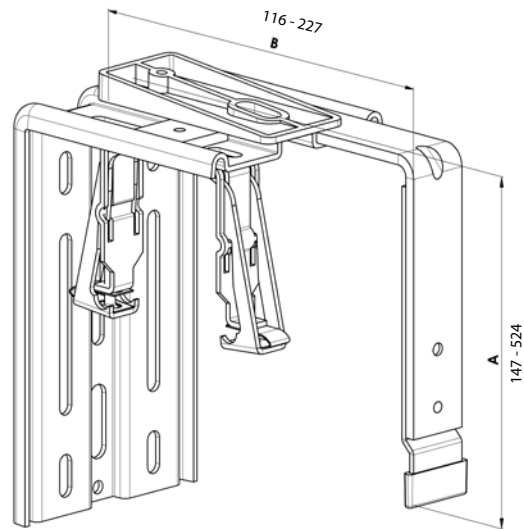
**KBT2**  
(for head rail 56 x 58)



**KBT3/1** (B=116-169; A=147-524)  
**KBT3/2** (B=170-227; A=147-524)  
(for head rail 56 x 58)

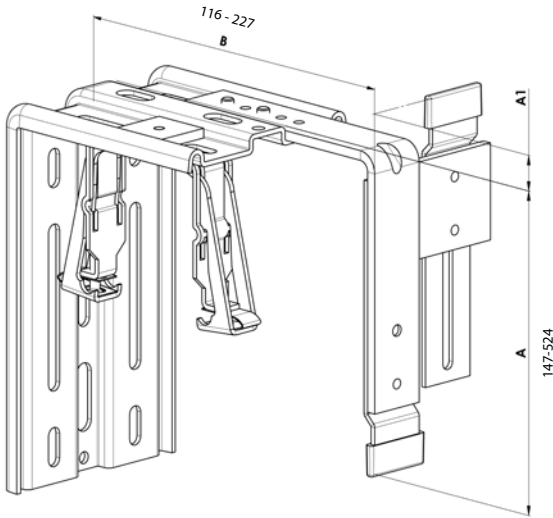


**KBT4/1** (B=116-169; A=147-524)  
**KBT4/2** (B=170-227; A=147-524)  
(for head rail 56 x 58)

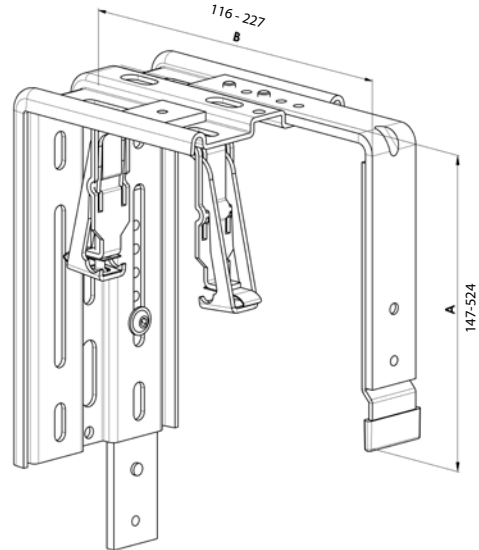


**KBT5/1** (B=135-190; A=177-524)  
**KBT5/2** (B=191-245; A=177-524)  
(for head rail 56 x 58)

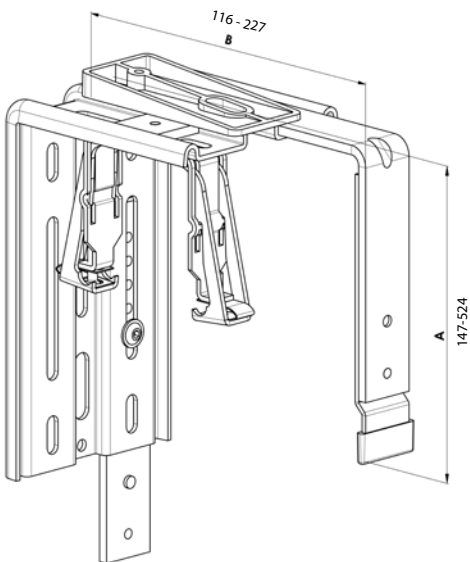
KBT7/11 (B=116-169; A=147-524; A1=28-83)  
 KBT7/12 (B=116-169; A=147-524; A1=84-138)  
 KBT7/13 (B=116-169; A=147-524; A1=139-193)  
 KBT7/21 (B=170-227; A=147-524; A1=28-83)  
 KBT7/22 (B=170-227; A=147-524; A1=84-138)  
 KBT7/23 (B=170-227; A=147-524; A1=139-193)  
 (for head rail 56 x 58)



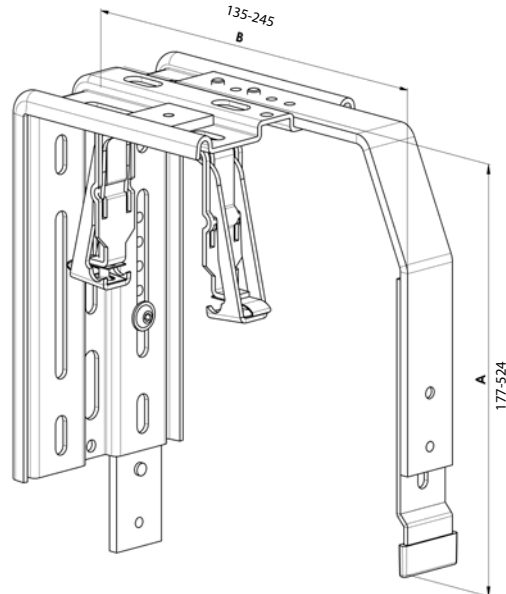
KBT8/1 (B=116-169; A=147-524)  
 KBT8/2 (B=170-227; A=147-524)  
 (for head rail 56 x 58)



KBT9/1 (B=116-169; A=147-524)  
 KBT9/2 (B=170-227; A=147-524)  
 (for head rail 56 x 58)

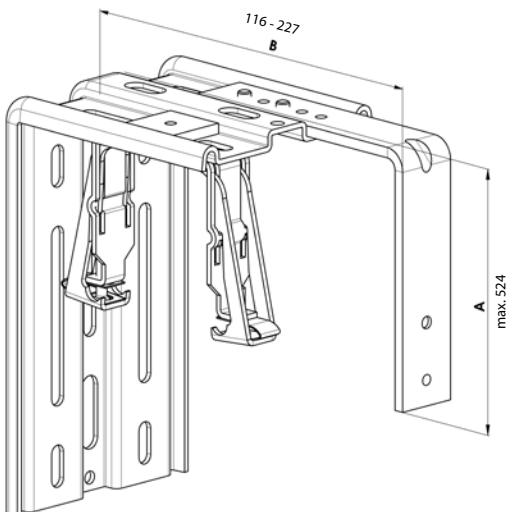


KBT10/1 (B=135-190; A=177-524)  
 KBT10/2 (B=191-245; A=177-524)  
 (for head rail 56 x 58)

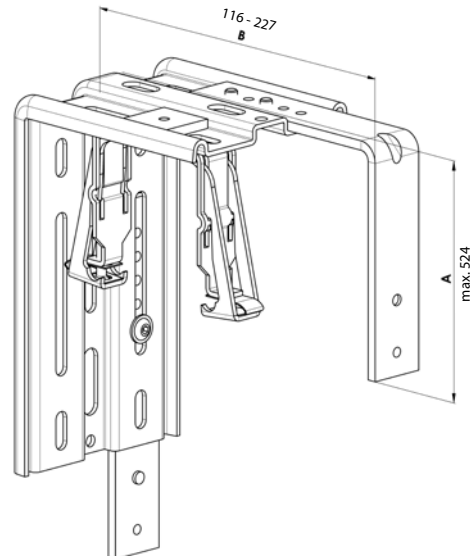


**Holders for Applications under Plastering (for atypical designs of front covers)**

KBT6/1 (B=116-169; A=precise)  
 KBT6/2 (B=170-227; A=precise)  
 (for head rail 56 x 58)



KBT11/1 (B=116-169; A=precise)  
 KBT11/2 (B=170-227; A=precise)  
 (for head rail 56 x 58)

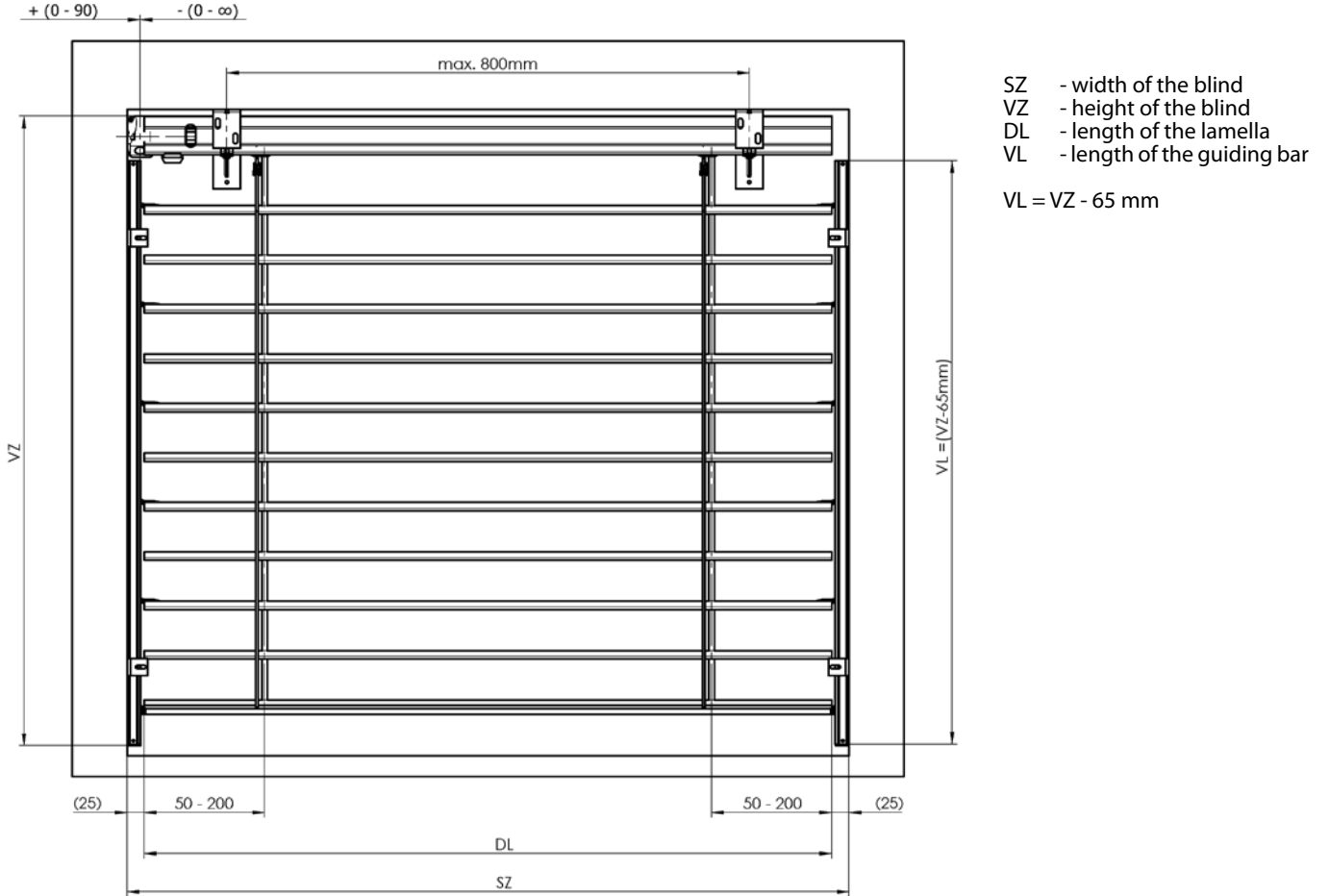


## Measurement

### Measurement of the Standard Blind

Both width and height is always to be measured in three points. The manufacturing dimension of blind is always the smallest measured value. Always carry out measuring after the frame is fitted in the construction aperture, event. window after the internal and external reveals are completed, including parapets.

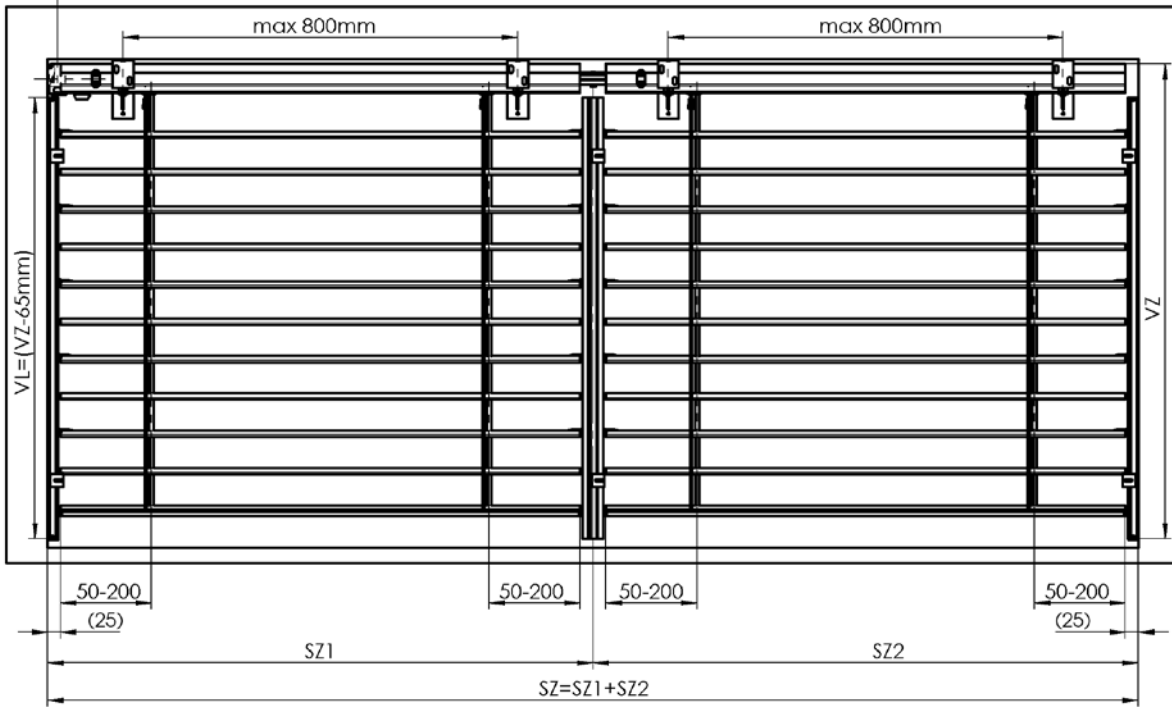
The method of measuring blinds is such a specific matter that we recommend always consulting the technical aspects on the site. There are other specific solutions available as well



In the case of control by the engine, the upper profile is shortened by 5 mm. If it is controlled by handle, the length of the profile depends on the shift of the gearbox. The position of the gearbox (possible shift) in the upper profile depends on the actual fitting of the window frame, reveal.

## Connected Blind Measuring

+ (0 - 90) - (0 - ∞)



## Standard Exterior Blind Assembly Procedure

The assembly may only be performed by a qualified professional employee!

### Construction preparedness for the assembly:

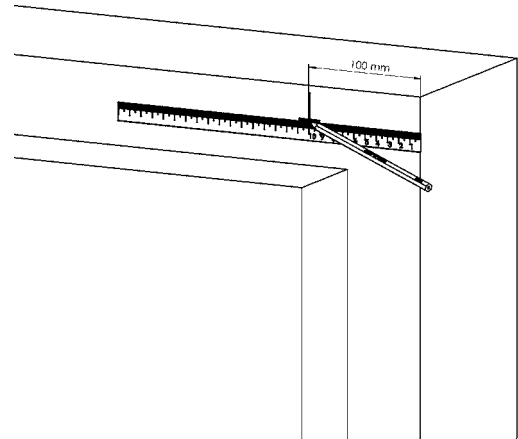
- finished reveal, coloured facade, finished outside parapets

### INSPECTION:

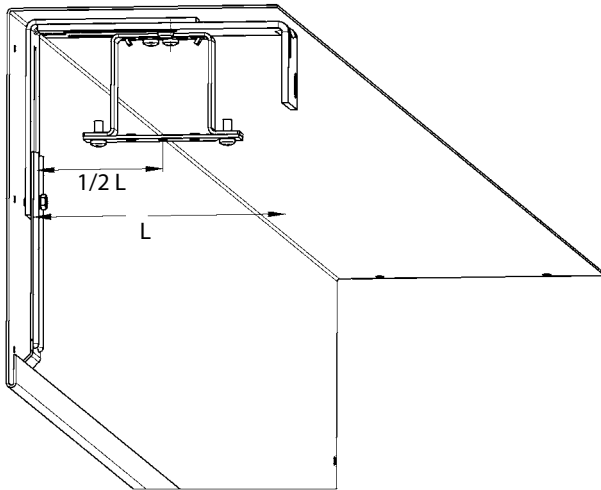
- Before assembly we recommend inspecting all the parts after the delivery of the goods to prevent any problems. The manufacturer must be notified of any defects or comments concerning the assembly or blinds.

### ASSEMBLY TOOLS:

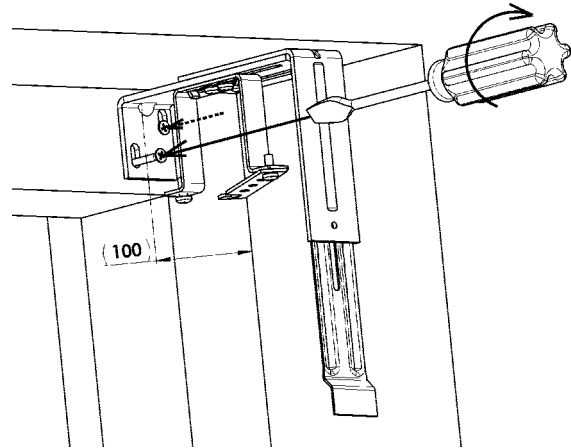
1. Tape measure
2. Water gauge
3. Pencil
4. Hammer
5. Electric drill as per the source material
6. Cordless electric drill
7. Magnetic adapter
8. Bits PZ2, PH2, magnetic adapter on hexagonal head 8 and 10
9. set of Allen wrenches
10. Assembly cable
11. Small ratchet wrench and 8 nut
12. Set of screwdrivers, insulated, electric



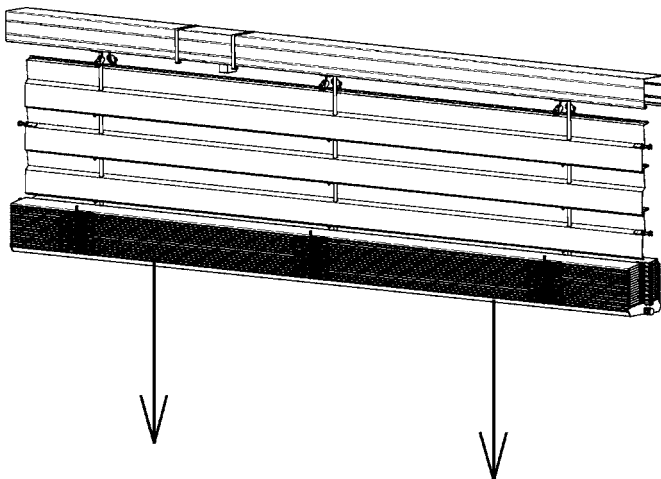
1.



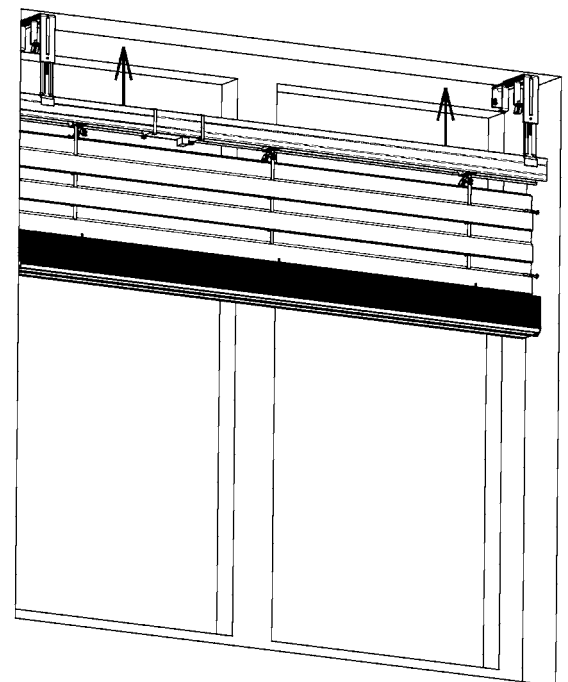
2.



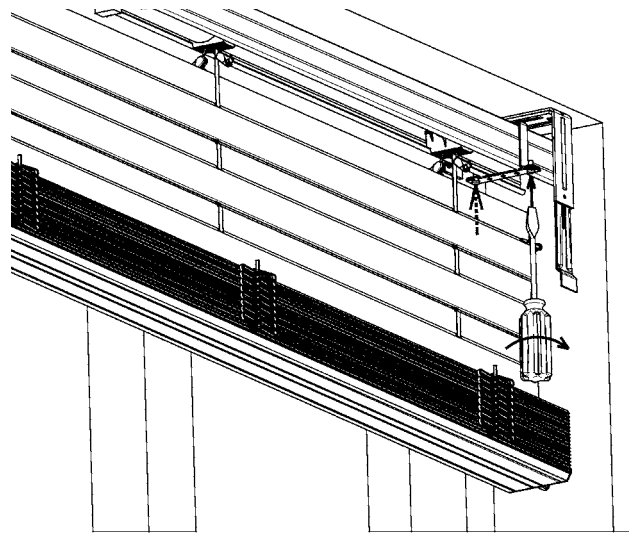
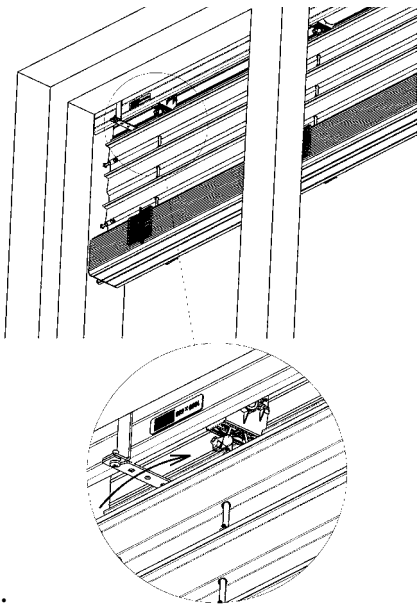
3.



4.

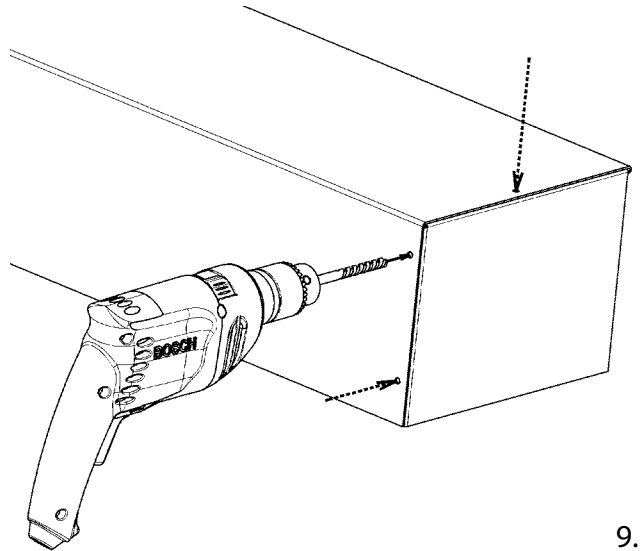
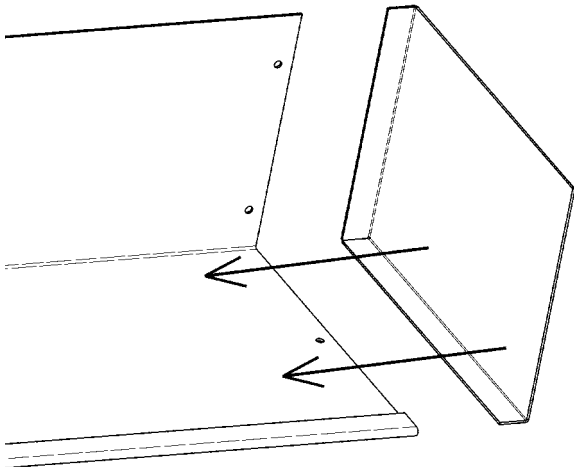


5.



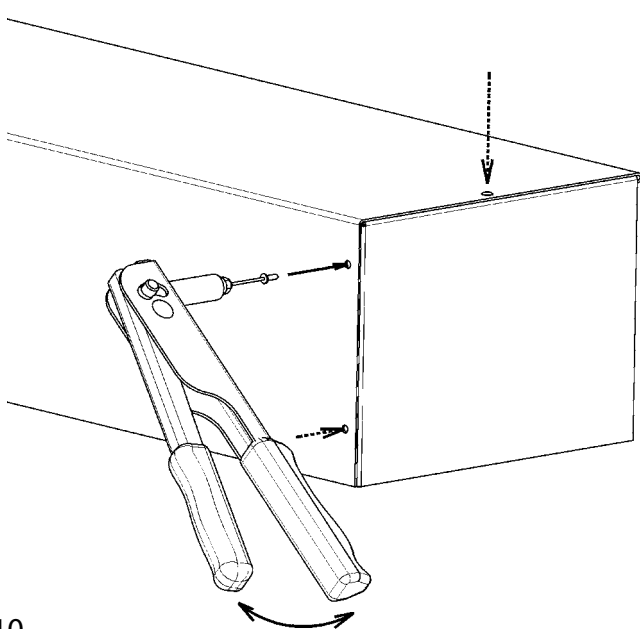
6.

7.

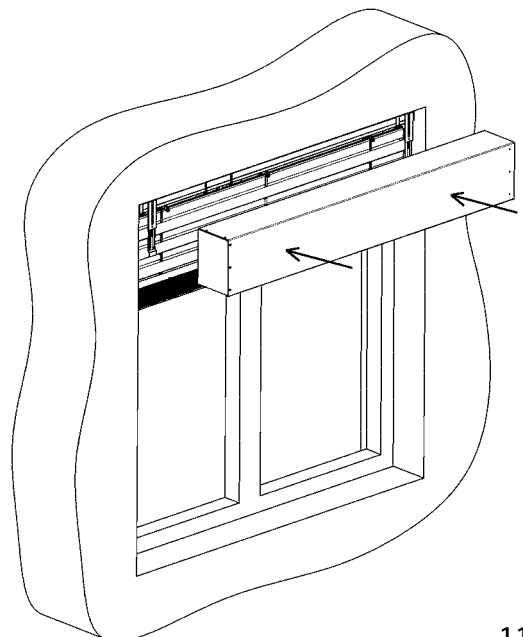


8.

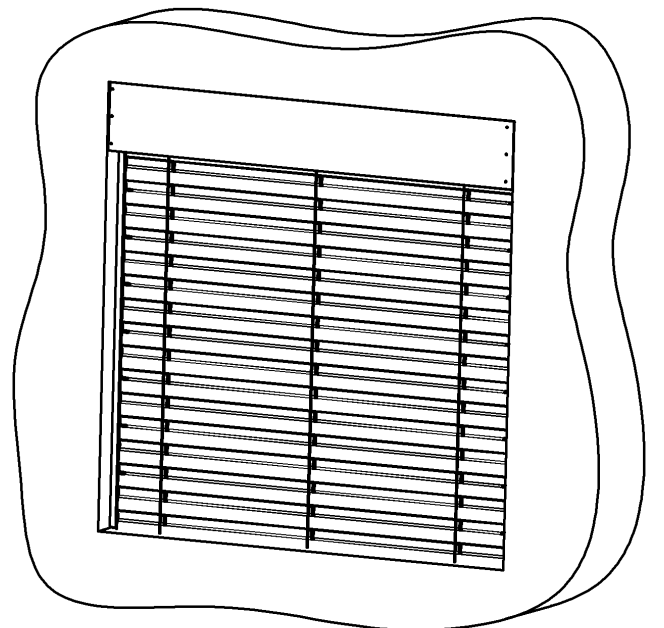
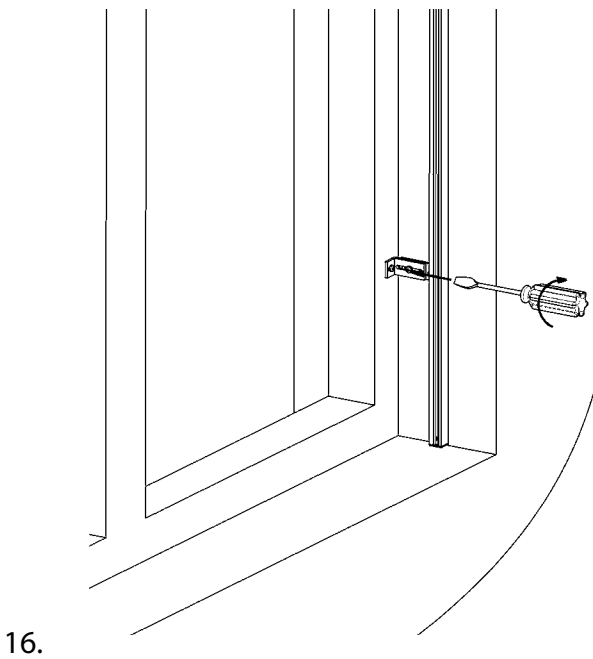
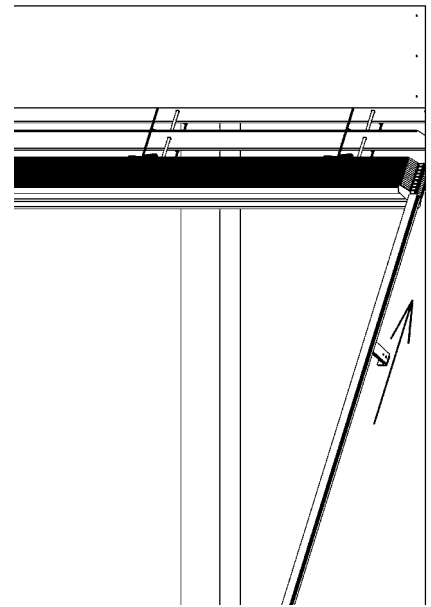
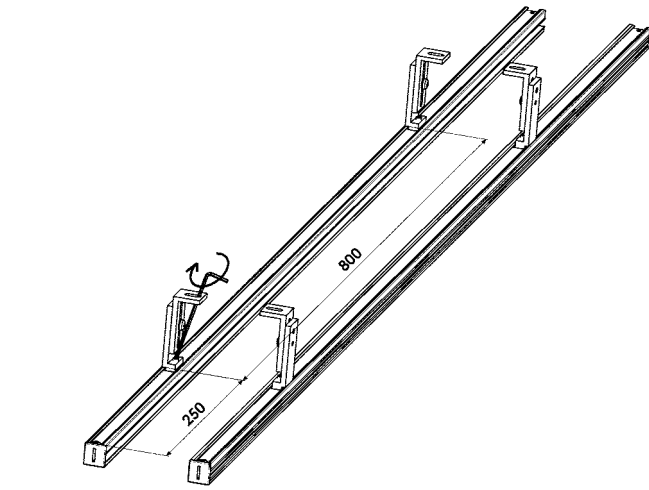
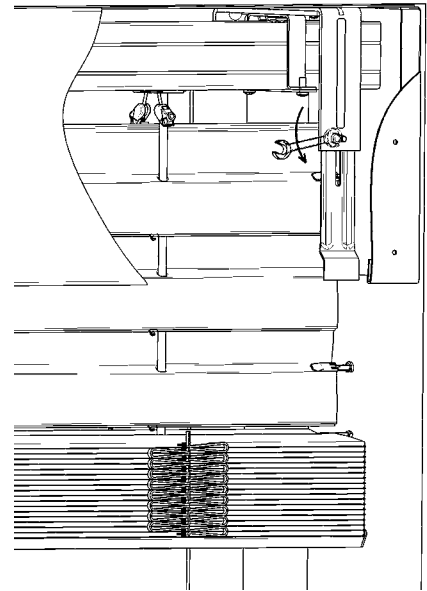
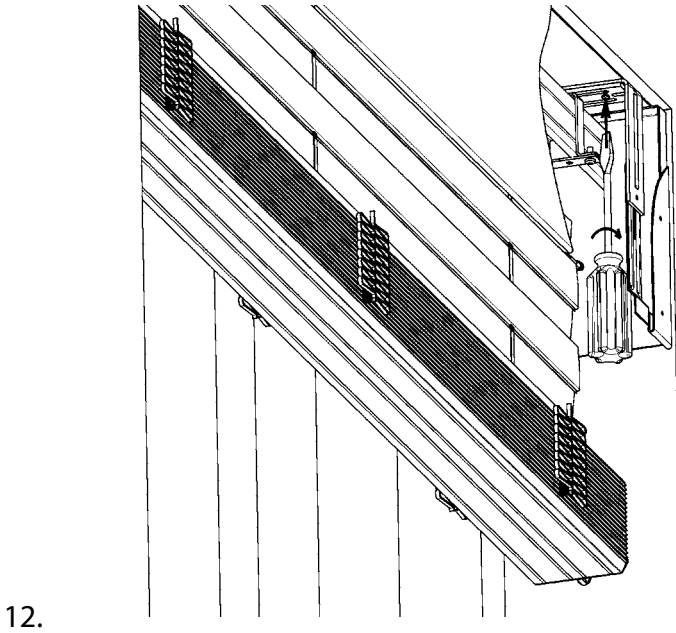
9.



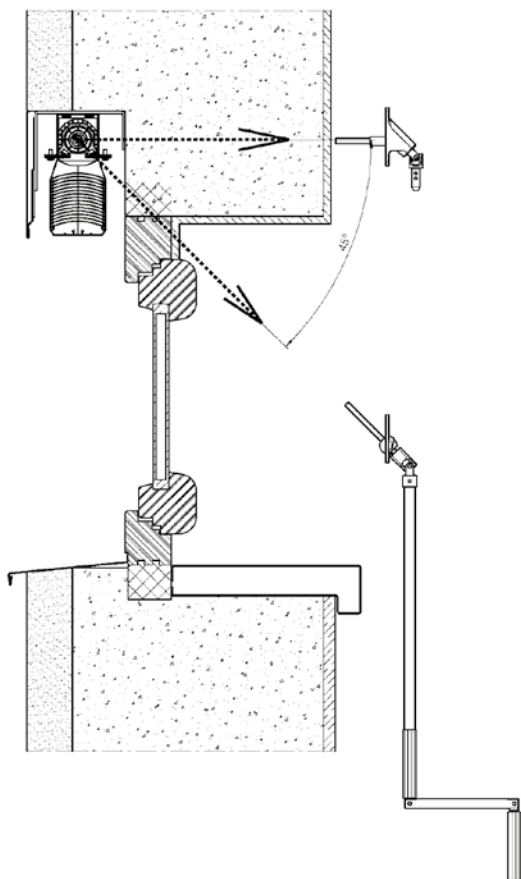
10.



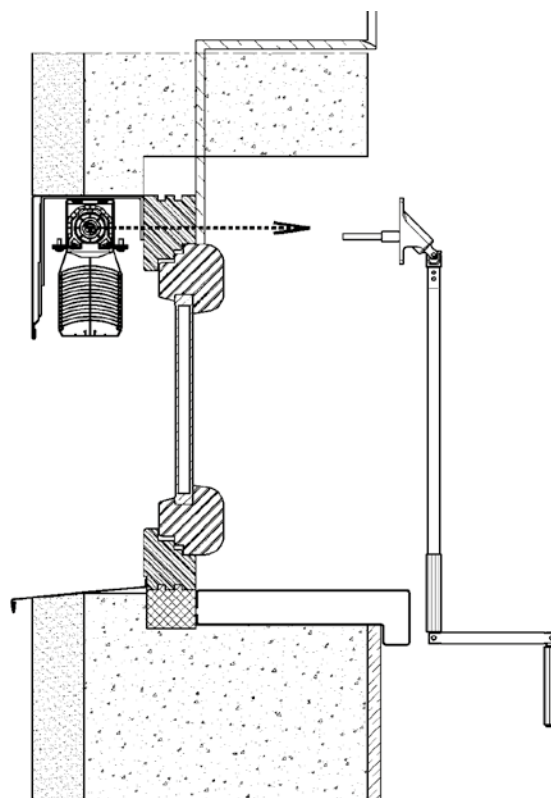
11.



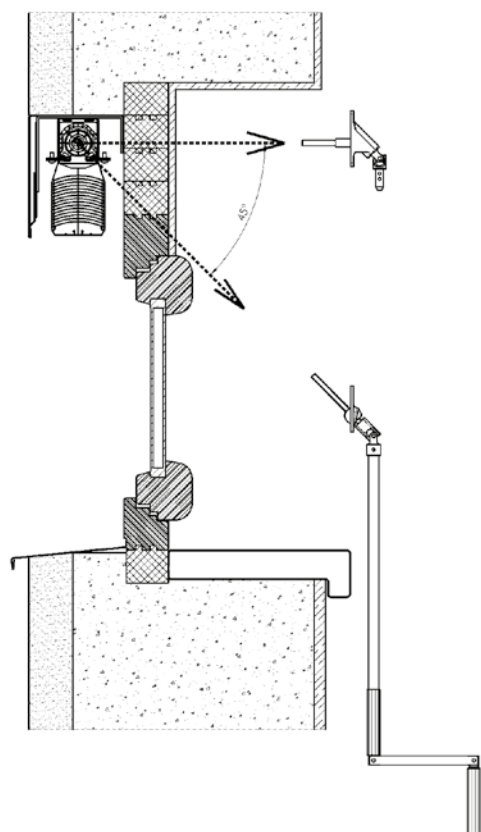
Assembly of the blind into the created pocket  
(ceiling/wall)



Assembly of the blind into the reveal on the window frame  
(ceiling/wall)



Assembly of the blind into the reveal on the expansion frame  
(ceiling/wall)



There are two alternatives for all three basic assembly types:

a) Cover box

**ASSEMBLY PROCEDURE:**

1. Measure the hole and compare with already prepared blind, check the control mechanism.
2. Allocate the blind holders so they do not interfere with the cloth strips.
3. Fix the holders horizontally.
4. Insert the blind into the sleeves in the holders and secure. Do not tighten screws for the sleeves.
5. Prepare the passage for control using the handle or the cord. If there is an electric control, connect the socket.
6. From the inside passage attach the handle; if the drift is long, shorten it to the necessary length. Stretch the endless cord through the created hole. Attach the cover for the passage of the cord.
7. Tighten the screws on the sleeves in the holders.
8. On the lamella guides attach the guiding bars which are already fitted with the holders for the guiding bars and attach them on the window frame or into the reveal (for assembly into the reveals, the guiding bar holders are not used and the guiding bar is attached through the holes created in the body of the guiding bar). The guiding bars must be attached in the middle of the upper profile of the blind.
9. Lower the blind into the lower position (attach the holders for wires if the blind has wire guided lamellas). At the same time, check that the guiding bars or wires do not clamp the lamellas. Check the vertical position of the guiding bars.
10. When the lamellas are tilted, attach the cover box to the holders, insert the prolongation of the holder (tighten the fixation screw) into the pocket created on the cover metal sheet and secure the cover sheet using the screw through the hole in the holder for the blind.
11. The blind driven by the engine can be inspected using the assembly cable or adjust the end positions of the engine and the connection to the supply cable.
12. Fix the holders of the handle in the interior. Connect the control switch according to the connection diagram supplied.

b) The cover box incorporated into the heat-insulation system or the peripheral shell

**ASSEMBLY PROCEDURE:**

1. Attach the blind holders.
2. Attach the cover sheet (can also be with side parts), insert the prolongation for the holder (tighten the fixation screw) into the pocket created in the cover sheet and secure through the hole in the holder with the screw (texem).
3. Drill the passage for control by the handle.

After heat insulation or production of the peripheral shell, the assembly of the blind is according to the previous manual.

# V-Lite



WHEEL CONTROL



RUNNER CONTROL

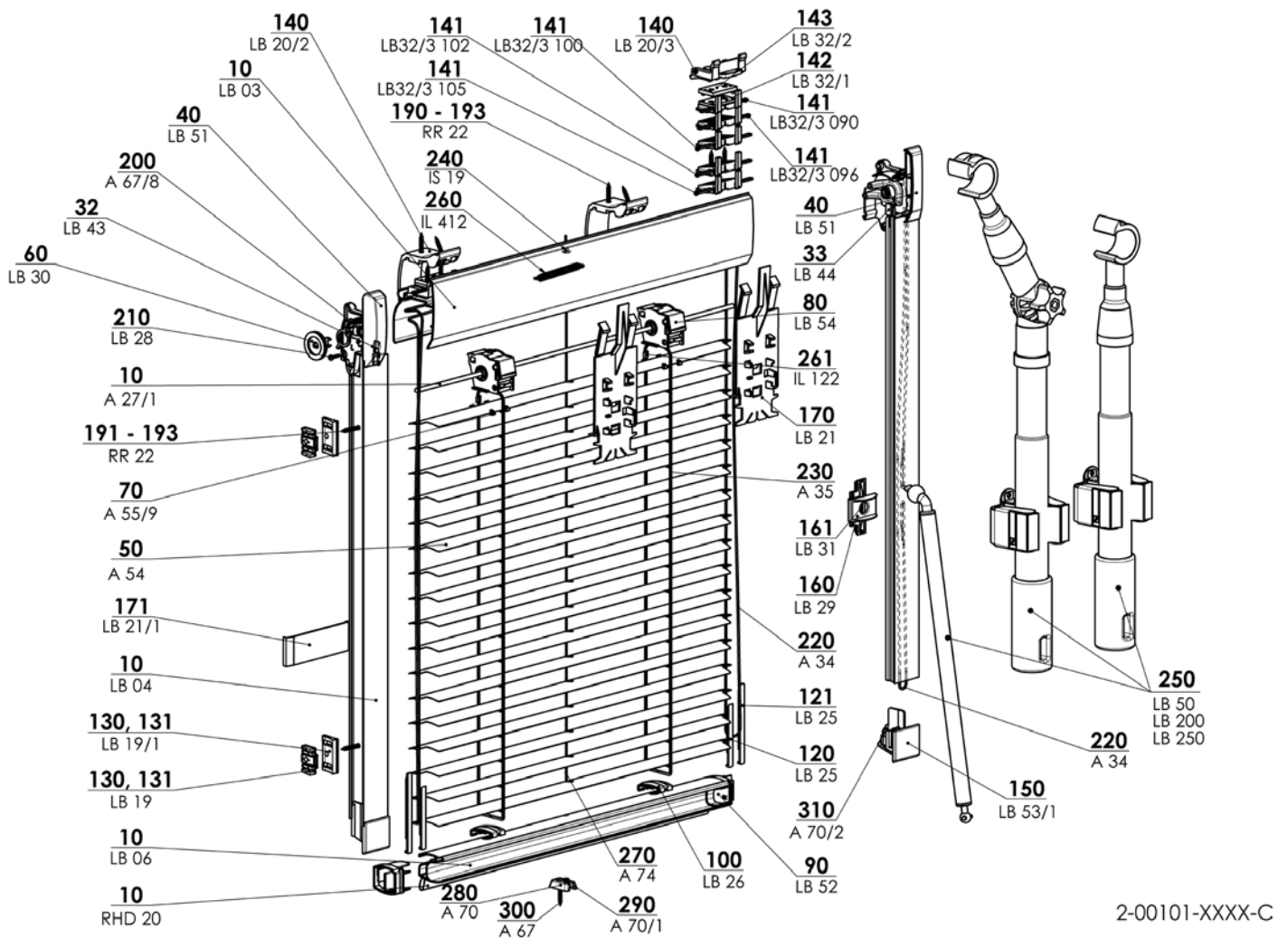


- ▲ Perfect interior shading
- ▲ Applicable to all skylight types
- ▲ Guiding rails prevent light penetration at the window sides
- ▲ Profiles and guiding rails made of anodized aluminum or in white color
- ▲ Easy control with a wand for windows difficult to access

**ISOTRA** *Quality*

# V-Lite Runner-Controlled Skylight Blinds

## Basic Product Specification



### Manual Control

Runner (on guiding profile) – for slat tilting

Pulling the blind up and down by gripping the bottom profile. The blinds on high windows are controlled with a wand.

wand length < 2 m: fixed wand

wand length > 2 m: telescopic wand (with hook / with joint and hook / with hook and ending / with joint, hook and ending)

wand color: grey

### Specification

	Upper profile	Bottom Profile	Guiding Profile	Slat			Central Guiding	Brake	Assembly
				Design	Width (mm)	Thickness			
Commercial Name	LB 03	LB 06	LB 04	full-shading	25	0,21	ø 1.2 mm nylon (for width > 900 mm)	ø 1.4 mm cord used as a brake	in skylight wing
Dimension (mm)	48,8 x 65,3 x 1,2	30 x 24 x 1	29,7 x 26,5 x 1						
Material	Al	Al	Al						
Color	Standard: Elox Extra charges: RAL 9003 white			according to current color card			Nylon - transparent	White	

Plastic components in the color RAL 7040, RAL 9003.

Color of ladder and cords consistent with the slat color.

### Standard Dimensions

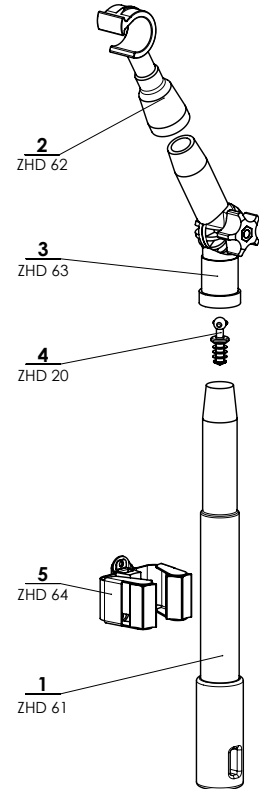
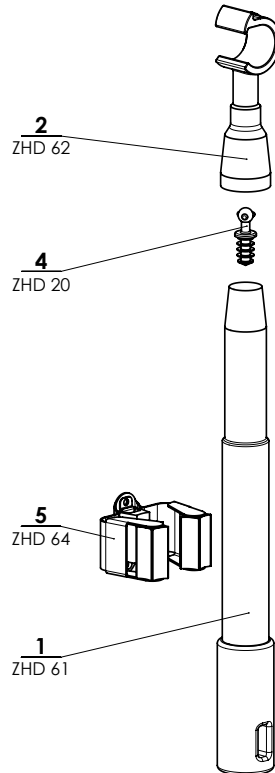
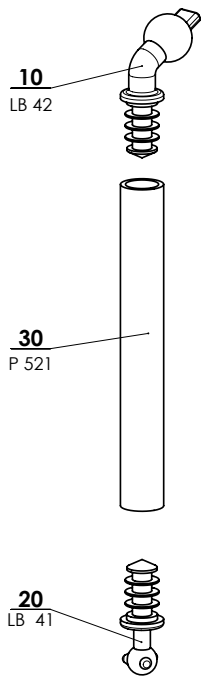
Minimum Width (mm)	Maximum Width (mm)	Maximum Height (mm)	Maximum Guaranteed Area
300	1200	1600	1,5 m <sup>2</sup>

We do not make atypical designs.

## V-Lite - operated by wheel 2-00189-0000

Position	Item name	Business name	Drawing number
10	Side guide channel	LB 04	7-300658-PU52
10	Flat wire Fe/Zn	A 27/1	6-000144-0000
10	Sealing profile	RHD 20	6-001298-0000
32	End stop right	LB 43	3-01263-7040
33	End stop left	LB 44	3-01258-7040
40	Board L+R, blinds	LB 51	2-00388-7040
50	Al slat		See Interior slat swatch
60	Garing complete	LB 55	2-00173-7040
61	Pulley-narrow	LB 30	3-00798-0000
70	Spacer 25 UNI	A 55/9	3-02092-0000
80	Bearing-complete	LB 54	2-00359-7040
90	Bottom rail cover L+R	LB 52	2-00387-7040
100	Clip	LB 26	3-00624-7040
120,121	Slider	LB 25	3-00623-7040
130,131	Pad under side guide channel	LB 19/1	3-01425-7040
130,131	Pad under side guide channel - universal	LB 19	3-00603-0000
140	Clip	LB 20/2	3-01424-7040
140	Clip	LB 20/3	3-02693-0000
141	Pad 100°	LB 32/3 100	3-02696-0000
141	Pad 90°	LB 32/3 090	3-02694-0000
141	Pad 96°	LB 32/3 096	3-02695-0000
141	Pad 102°	LB 32/3 102	3-02697-0000
141	Pad 105°	32/3 105	3-02698-0000
142	Pad 2 mm	LB 32/1	3-01436-0000
143	Pad 3 mm	LB 32/2	3-01437-0000
150	Guide slat cover L+R without spring	LB 53/1	2-00580-7040
160	Button and cover set	LB 57	2-00390-7040
162	Button pad	LB 24	3-00796-7040
170	Transfer clip	LB 21	3-00619-7040
171	Mounting template	LB 21/1	3-01426-7040
190-193	Screw 3x20	RR 22	6-001312-0000
200	Screw 3,5x13	A 67/8	6-003146-0000
210	Screw KB 22x10	LB 28	6-000054-0000
220	Round cord 1,4	A 34	6-000153-5000
230	Ladder 18x28	A 35 18x28	6-000154-xxxx
240	Ladder connector	IS 19	6-000963-0000
250	Control		
260	Spring - short 0,8x6,25x58x60,5	IL 412	7-300490-PU22
261	Ladder joint for flat cord	IL 122	3-00359-PU22
270	Nylon 1.2mm	A 74	6-000180-0000
280	Bracket - fixed	A 70	3-00129-0000
290	Clamping screw	A 70/1	6-011204-PU22
300	Screw 3x20mm	A 67	6-000175-PU22
310	Clamping screw - smooth	A 70/2	2-00399-0000

## Control rod – position 250



CONTROL ROD 2-00377-0000-A

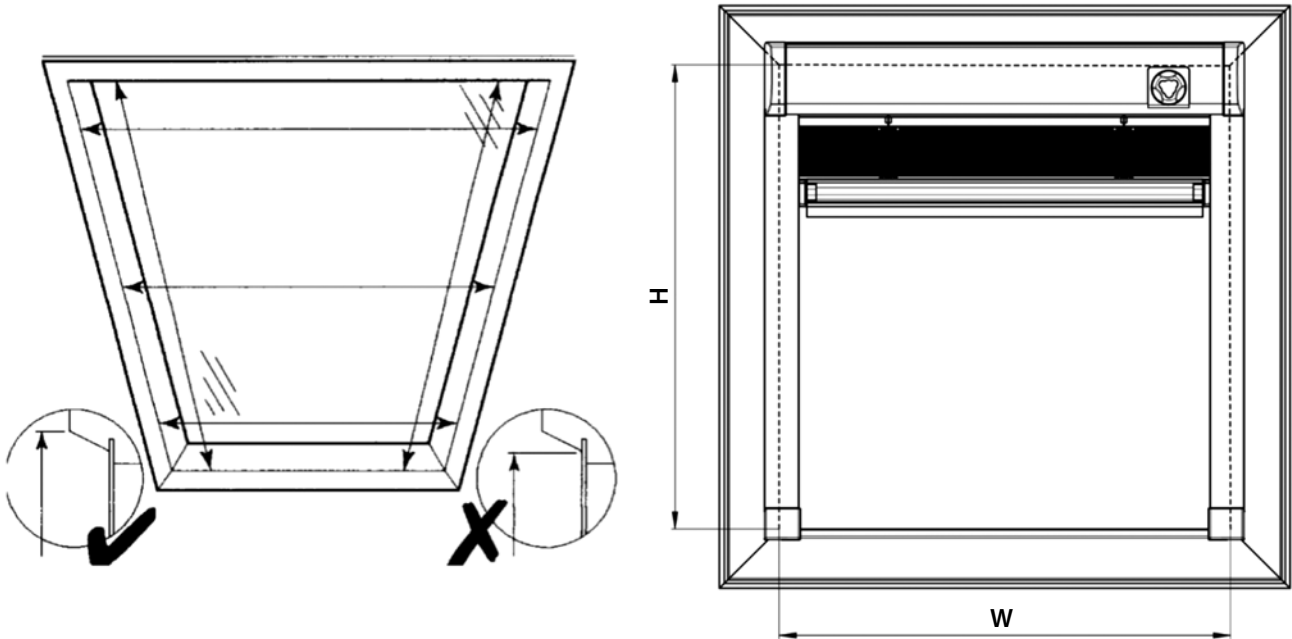
TELESCOPIC ROD 2-00419-0001-A

TELESCOPIC ROD WITH JOINT 2-00419-0002-A

Position	Item name	Business name	Drawing number
10	Ending - bottom rail operation	LB 42	3-01208-xxxx
20	Ending - slats tilting	LB 41	3-01209-xxxx
30	Crank tube Al - 13mm diam.	P 521	6-001254-0000
1	Telescopic rod	ZHD 61	6-005468-0000
2	Telescopic rod - hook	ZHD 62	6-005469-0000
3	Telescopic rod - joint	ZHD 63	6-005470-0000
4	Wand connector	ZHD 20	6-002192-0000
5	Wall clip for telescopic rod	ZHD 64	6-005471-0000

## V-LITE Roof Blinds

### MEASUREMENT OF THE WINDOW



Take measurements as indicated in the diagram. Measurements are taken at the top of the frame of the window wing, not at the glazed area. The minimum depth for assembly is 40 mm.

THE WIDTH AND THE HEIGHT OF THE LIGHT HOLE IN THE WINDOW WING IS MEASURED IN THE FOLLOWING MANNER:

w.... (width)

The measurement is from the left top to the right top of the window frame on the top in the place of fixation of the blind.

The width of the blind is produced in a precision of millimetres from the width 300 mm up to the width 1,200 mm. It is recommended to consult the manufacturer for dimensions outside the stated limits..

h .... (height)

Measurements are taken the same as the width from the upper top to the lower top of the window frame and is written into the order form of the blind.

The width of the blind is produced with a precision of millimetres from the width 300 mm up to the width 1,200 mm. It is recommended to consult the manufacturer for dimensions outside the stated limits.

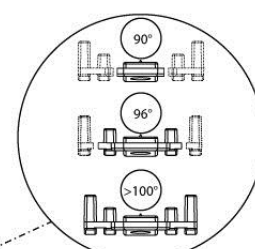
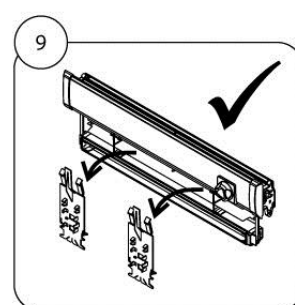
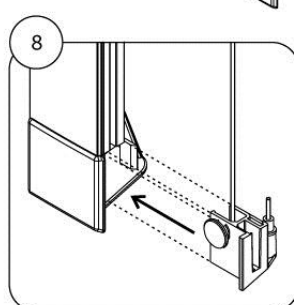
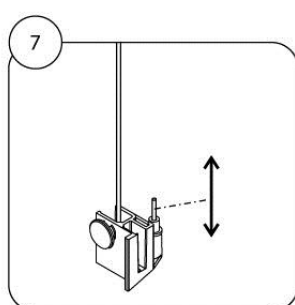
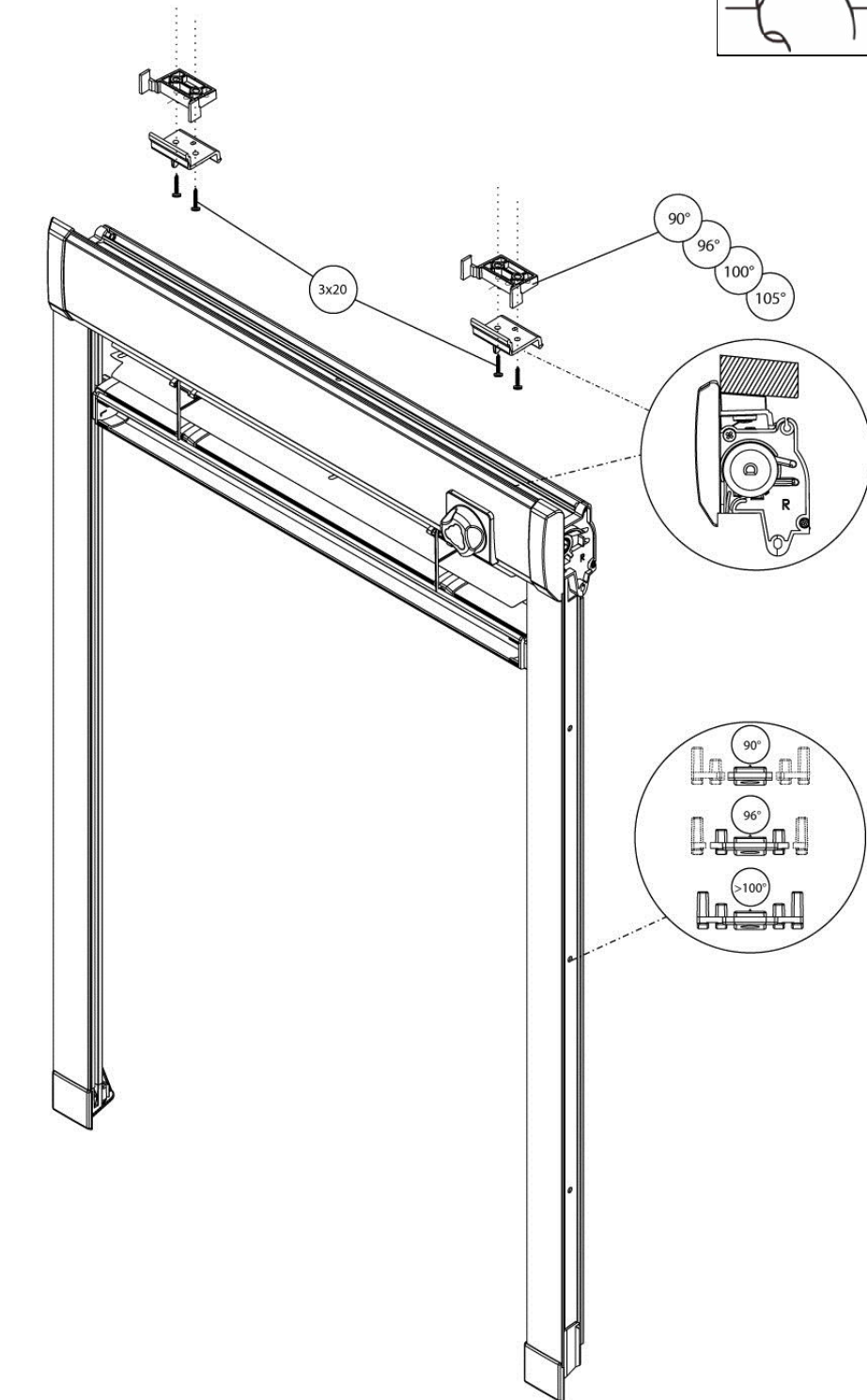
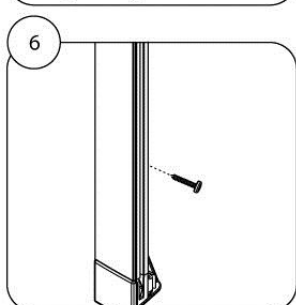
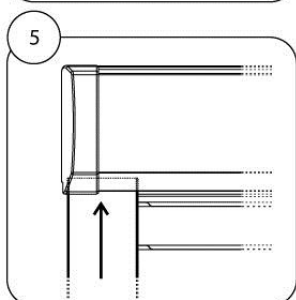
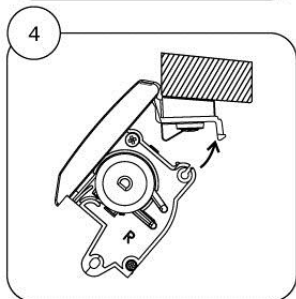
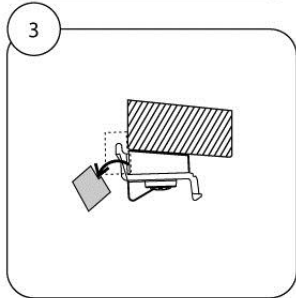
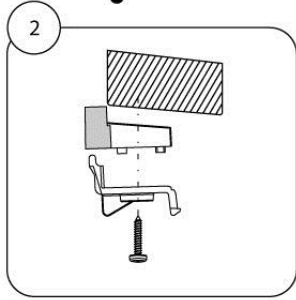
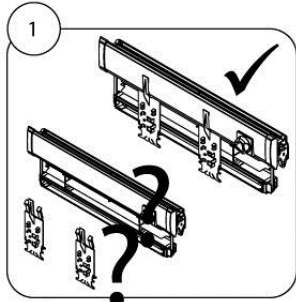
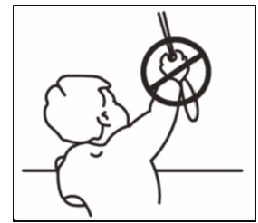
In the order form, it is necessary to specify:

1. dimension
2. type of window and identification number of the window.
3. angle of the glazing bar (90°, 96°, 100°, 102°, 105°)

# Isotra Roof Blind V-Lite

ILLUSTRATIVE ASSEMBLY FOR THE BLIND CONTROLLED BY THE WHEEL

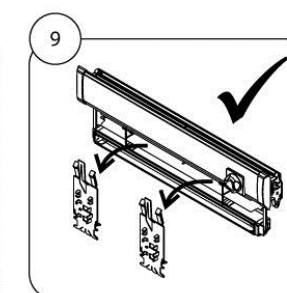
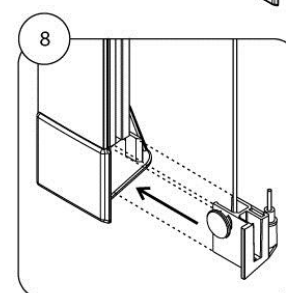
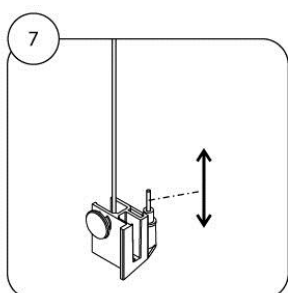
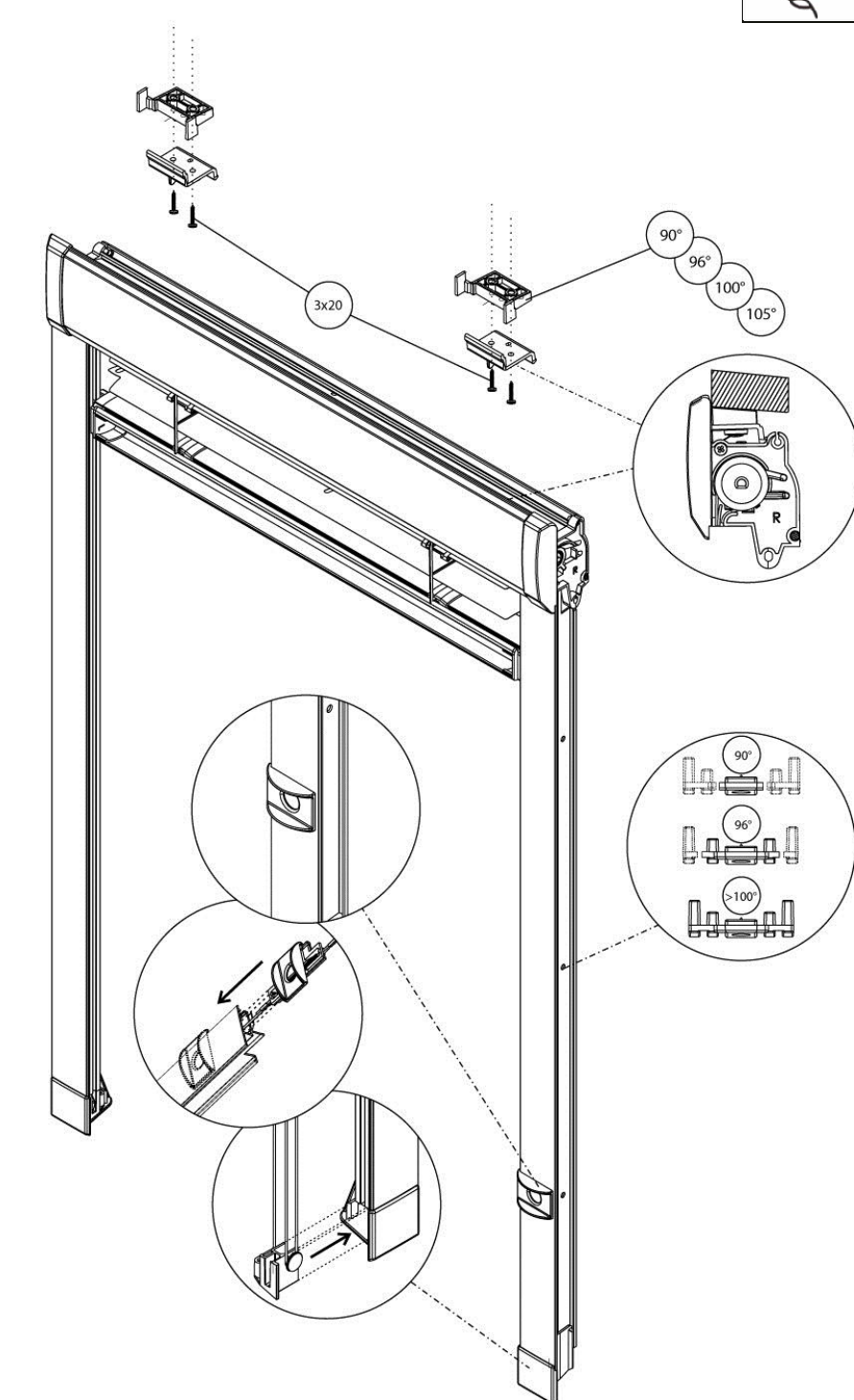
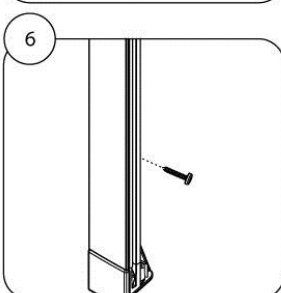
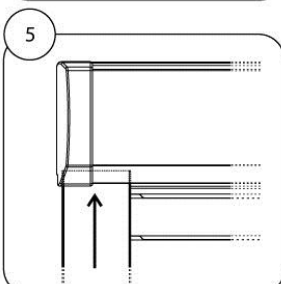
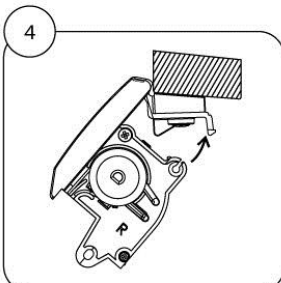
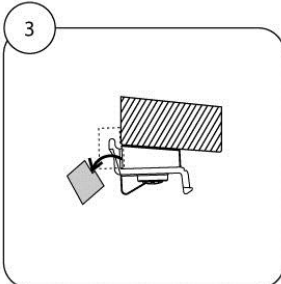
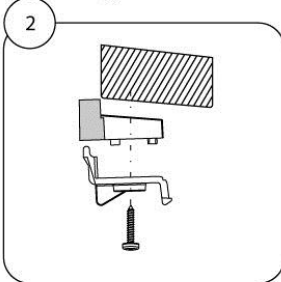
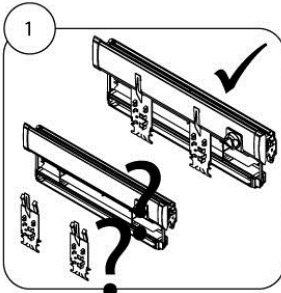
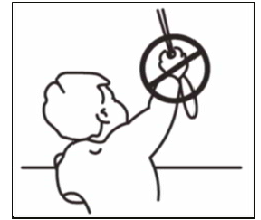
The Blind is installed according to norm  
about security elements  
EN 13120



# Isotra Roof Blind V-Lite

ILLUSTRATIVE ASSEMBLY FOR THE BLIND CONTROLLED BY THE SLIDER

The Blind is installed according to norm  
about security elements  
EN 13120



## Safety features according to the standards EN 13120+A1; EN 16 433; EN 16 434



Connection



Pulley



Cleat



Two wheels

INTERIOR SHADING	Safe type of operation						Dangerous operation			Suitability of ISOTRA protective systems			
	Manually	Wheel	Handle	Switch	Remote control	Control bar	Šňúra	Šňúra/táhlo	Řetizek	Coupler	Pulley	Reel	Two wheels
<b>HORIZONTAL BLINDS</b>													
ISOTRA SYSTEM HIT													
ISOTRA SYSTEM HIT II													
ISOTRA SYSTEM CLASSIC													
ISOTRA ENERGY													
ISOLITE PLUS													
NEOISOLITE													
SYSTEM 25S, 25SM													
SYSTEM 25R													
SYSTEM 25L (large)													
SYSTEM 25K													
SYSTEM 25SW													
SYSTEM 25M													
CETTA 35, 50 - ECONOMY													
CETTA 35													
CETTA 50 (usage in interior)													
V-LITE INTERIOR ROOF BLIND													
ATYPICAL CHAIN BLINDS													
CHAIN BLINDS WITH BRAKE													
CHAIN BLINDS (space > 2,5 m <sup>2</sup> )													
<b>VERTICAL BLINDS</b>													
<b>JAPANESE PANEL BLINDS</b>													
<b>PLISSÉ</b>													
VS													
F													
DFC													
PL													
SD													
SR 1 S													
<b>FABRIC ROLLER BLINDS</b>													
VERRA													
VERRA METAL													
VERRA SEMI													
ROLLITE													
LUNA													
SUNLITE													
NEMO													
LARRA													
R-LITE ROOF ROLLER BLIND													
SCREEN HR8-ZIP INTERIOR BO													





**ISOTRA a.s.**

Bílavecká 2411/1, 746 01 Opava

Tel.: **+420 553 685 111**

E-mail: [isotra@isotra.cz](mailto:isotra@isotra.cz)

**[www.isotra.com](http://www.isotra.com)**

Released: 03/2026

**ISOTRA Partner**



*... protecting your privacy.*