

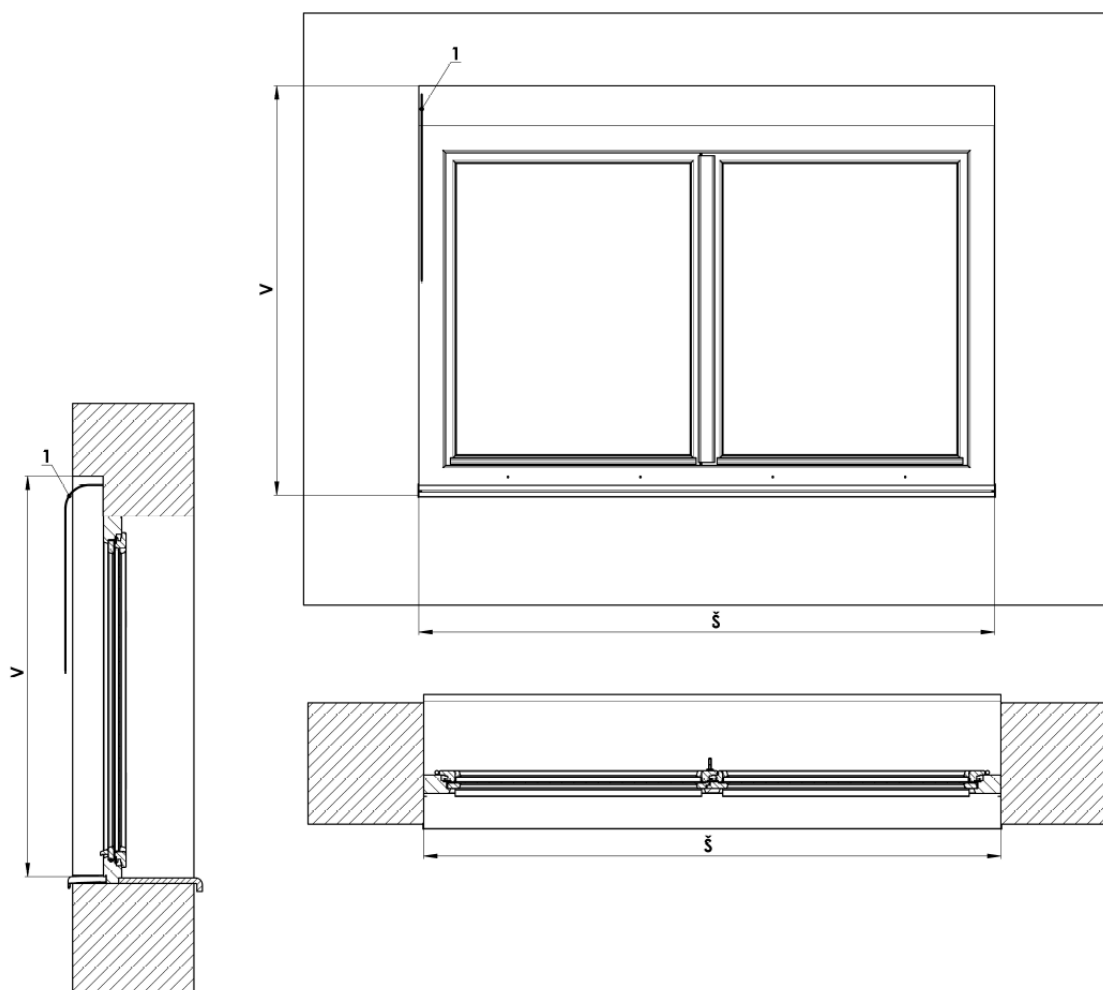
VIVA SELF-SUPPORTING BLINDS (SECTIONAL GUIDE BARS)

1. MEASURING

Measure the width (\check{S}) and height (V) of the opening.

Measure the blind width in three places – up, middle and down.

The minimum dimension measured is to be stated for manufacturing and ordering the blind.



Apply the first expansion section from the sectional guide bar set to the prepared window frame (Fig. 1) and then check verticality using a level (Fig. 2).

Installation without base rails is identical to installation with base rails.

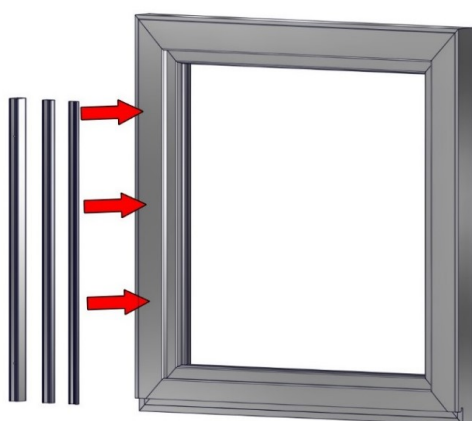


Fig. 1

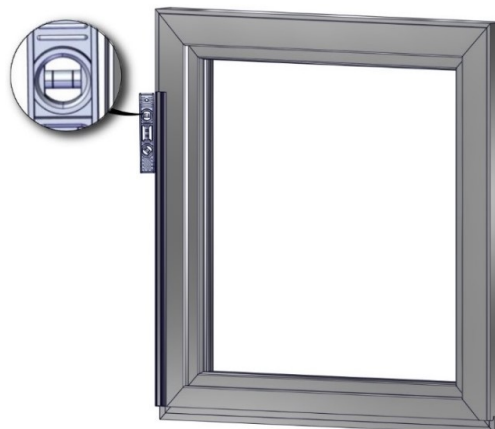


Fig. 2

According to the selected size (10 mm; 20 mm; 40 mm), attach the first expansion section to the window frame (Fig. 3).

Repeat the same procedure for the other side.

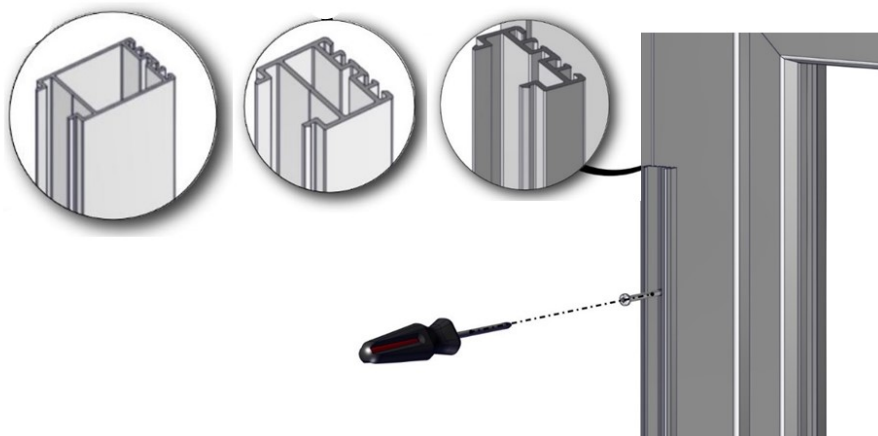


Fig. 3

Join the individual sections using the flexible click catches that engage with the neighbouring openings in the next section, and secure by screws (Fig. 4 and Fig. 4-1).
To facilitate the assembly, use a rubber hammer to tap the sections all over their length.

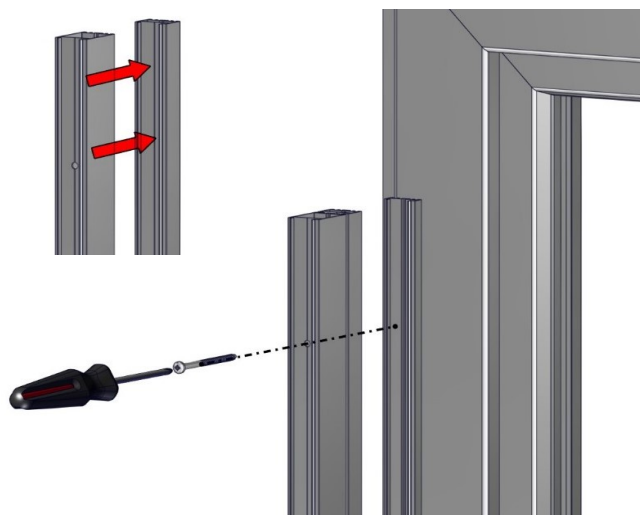


Fig. 4

Place the whole box with the rolled blind to the intended type of sectional guide bars (Fig. 5), and then screw down (Fig. 6). Repeat the same procedure for the other side.

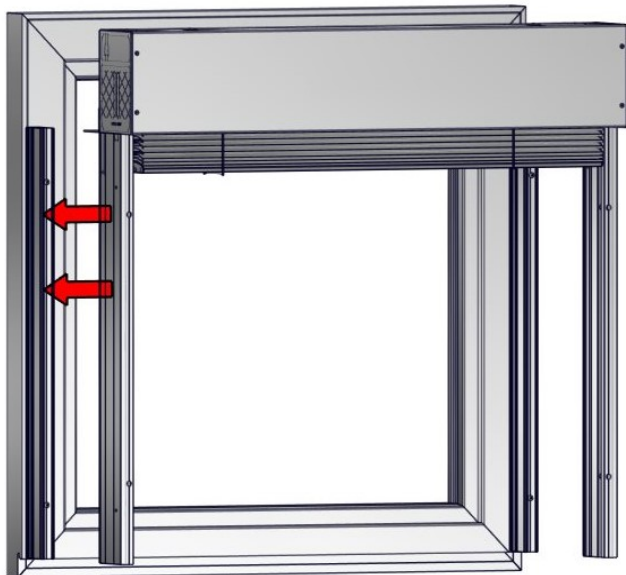


Fig. 5

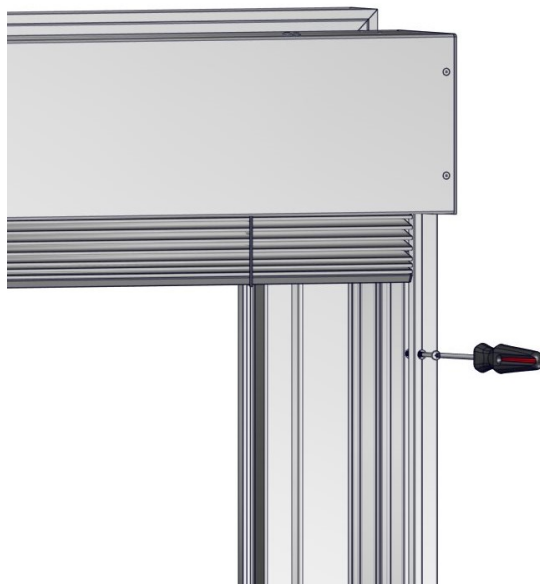


Fig. 6

Click the plastic guiding insert to the longitudinal pocket of the underplaster board (Fig. 7). Then insert a plastic stop to the lower part of the insert and screw it down to the underplaster board rib (Fig. 8).

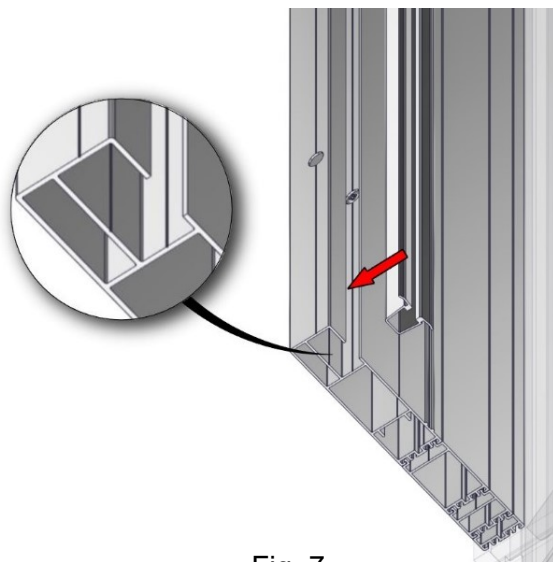


Fig. 7



Fig. 8