



SCREEN HR10-ZIP

1. INTRODUCTION

Screen HR10-ZIP is a flat hanging sun protection screen, which is placed in front of the window with a zipper system on each side of the fabric. This makes screen particularly resistant to high winds and keeps the fabric perfectly in place. In the down position the screen keeps out the sun's rays, which can cause overheating, while at the same time it affords and excellent outside view.

Screen HR10-ZIP has been made invisible, hidden in the cavity.

There is the option to place an insect screen. The bottom lath is fully integrated, which means that in the retracted position the screen is invisible from the outside of the house.

2. GENERAL WARNINGS

A number of precautions have to be taken for the safe installation, operation and maintenance of this screen. Please take notice of the following warnings for the safety of everyone concerned!

These instructions have been drawn up for use by trained installers and therefore are not suitable for use by amateurs or trainees.

Please read these instructions carefully before starting the installation.

Proceed carefully. Ensure that you have a robust footing.

Make sure there is adequate lighting in the place of assembly. Remove any obstacles and dirt. Ensure that no other persons other than the installers are present. Unauthorised persons can get in the way or be at risk during the installation.

The screen must be kept clearly in view at all times during installation and operation. Persons in the vicinity may be at risk of injury.

The installer must comply with the local regulations and standards with regards to electrical connections.

Our products must be installed in such a way that all parts remain accessible at all times for maintenance and repairs. If this is not the case, Isotra cannot be held responsible for any additional costs (e.g. demolition work, repairs to exterior or interior walls) which may result from this.

3. LIST OF REQUIRED TOOLS

- Ladders(s)
- Tape measure and pencil
- Cross-slotted screwdrivers
- Spirit level, plumb line or water hose
- Drill
- Set of drills
- Voltage meter or 220 V testing lamp

4. ASSEMBLY INSTRUCTIONS

4.1. CHECK THE PACKAGE

Check the package for any damage before removing the complete packaging from around the box and guide rails.

4.2. CHECK THE PRODUCT

Check the product: ensure all guide rails and clip profiles are included and check if each guide rail contains a holder with zipper profile.

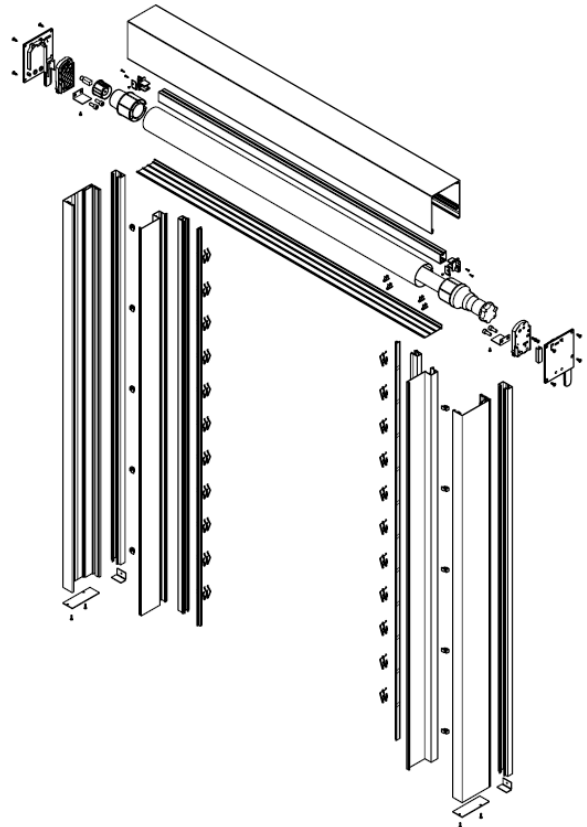
Also check the bag with accessories. Check that the screws for securing the guide rails are present, as well as the end caps, and the guarantee card. Also check the height of the guide rails, including the end cap, and make sure they correspond to the height of the window.

4.3. CHECK THE HEIGHT AND WIDTH

Check the width of the screen box and measure the window opening.

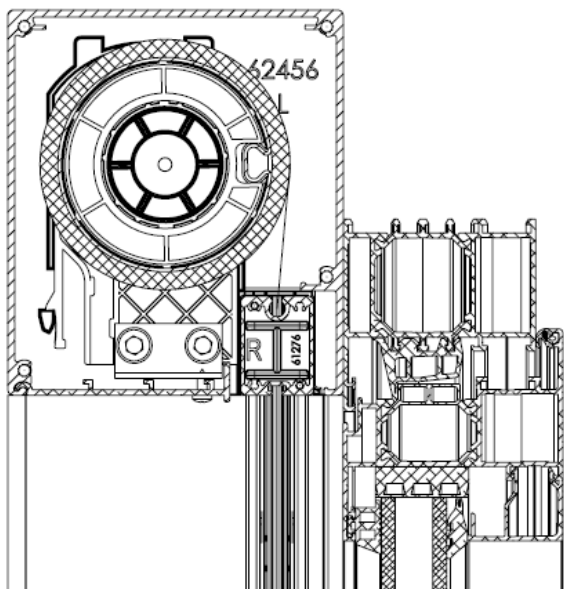
Verify that both match the desired mounting position.

Also check the height of the guide rails, including the end stop, and make sure they correspond to the height of the window.



4.4. ASSEMBLY

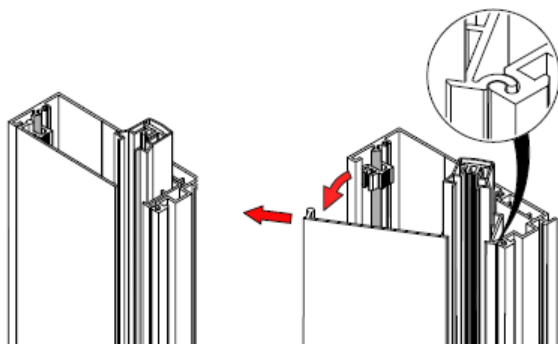
The actual assembly in 4 steps.



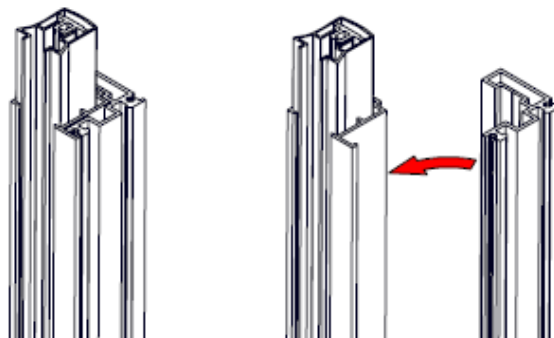
4.4.1. STEP NR. 1

The guide rails are supplied already assembled. The cover must be removed from the base section before it is fitted on to the window. Zipper guide and sleeve can remain in the cover.

Guide rail 1120



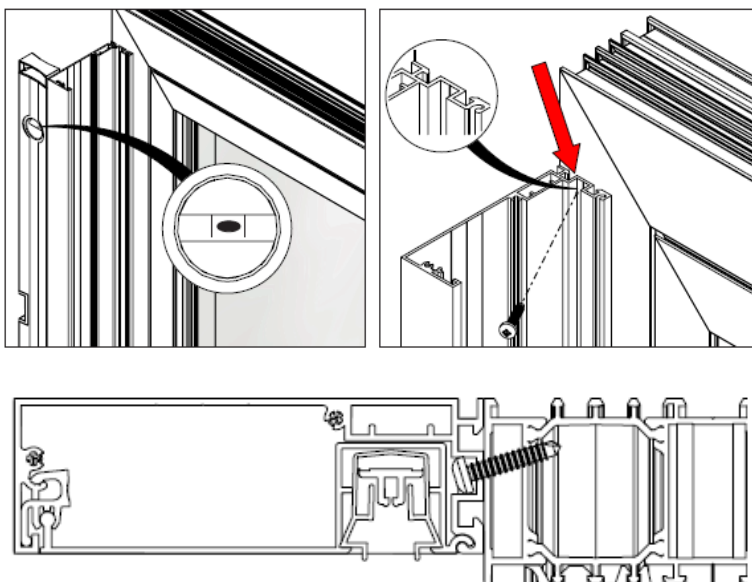
Guide rail 1040



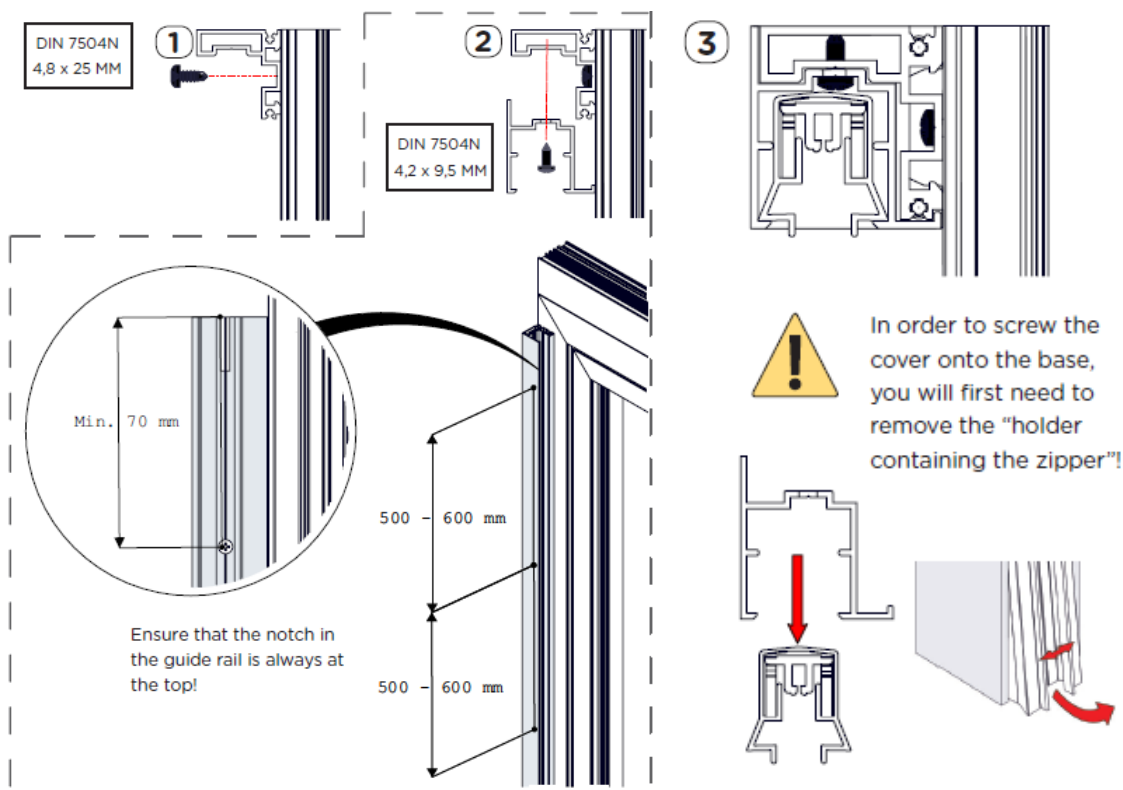
4.4.2. STEP NR. 2

Mount the base of the guide rail against the window with the screws supplied.

Guide rail 1120

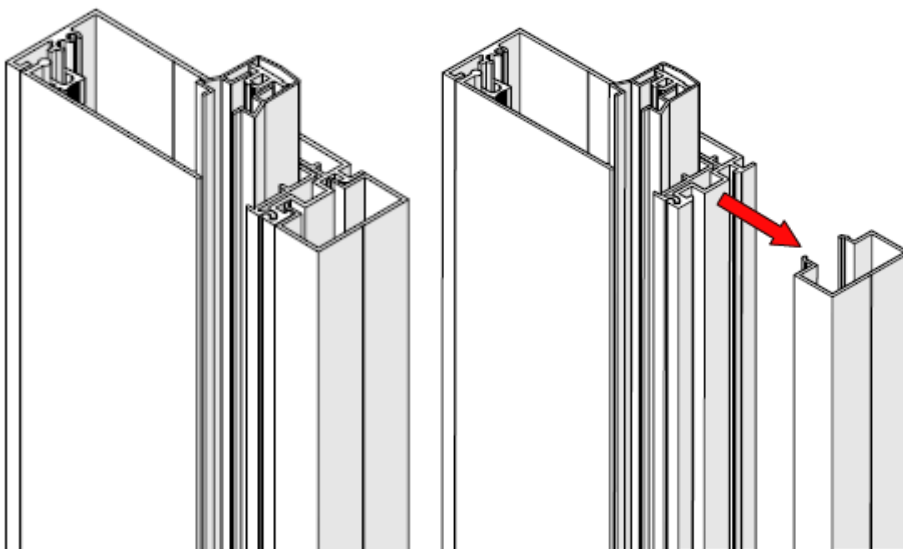
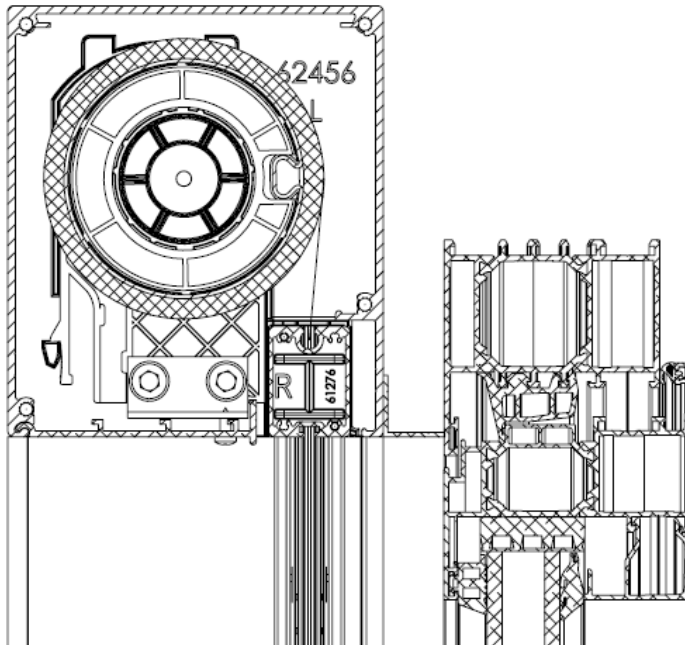


Guide rail 1040 = surface mounted guide rail 1120



Guide rail 1120 – click profile

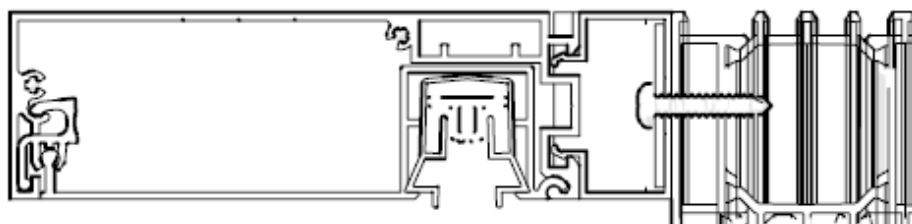
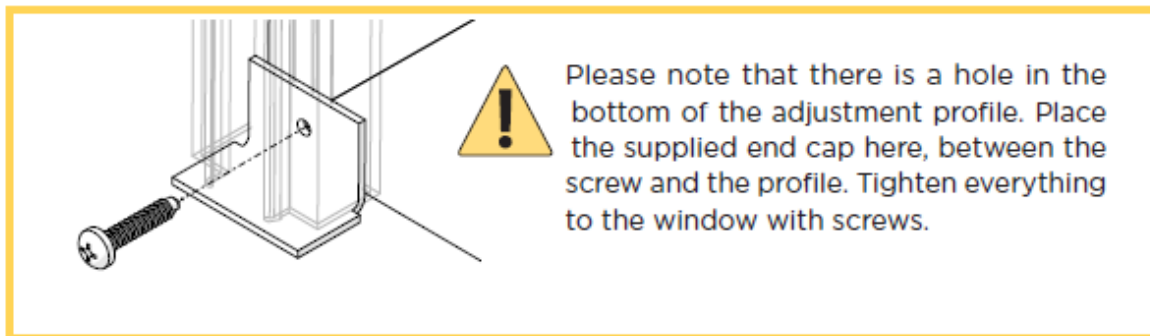
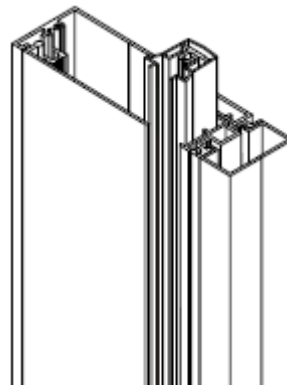
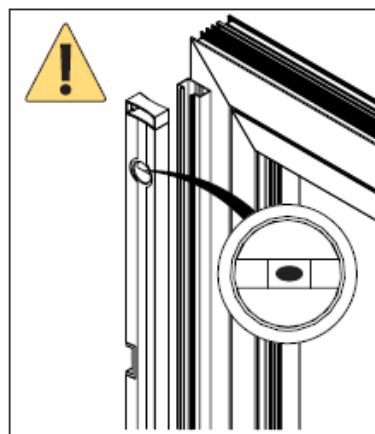
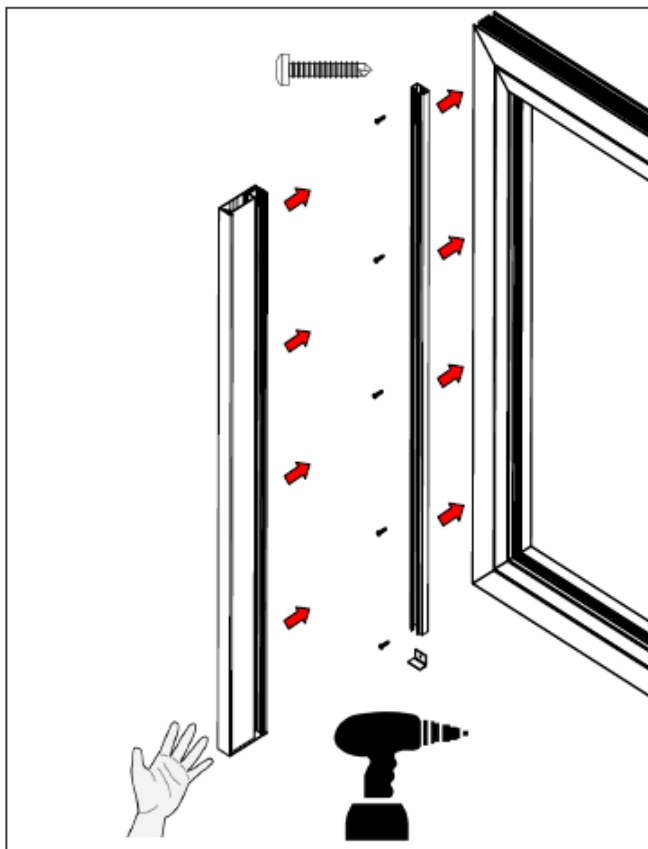
The guide rails are supplied already assembled. The click profile must be removed from the base section.



With this option (click profile) the clip/adjustment profile of the base must be detached before fitting it to the window.

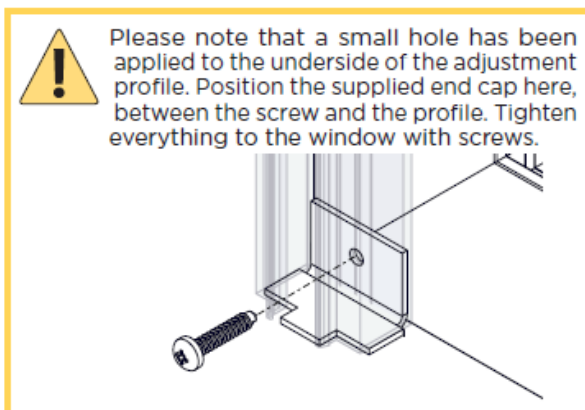
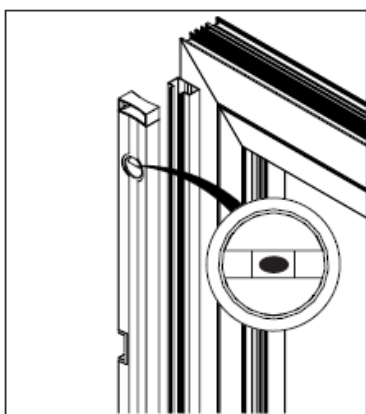
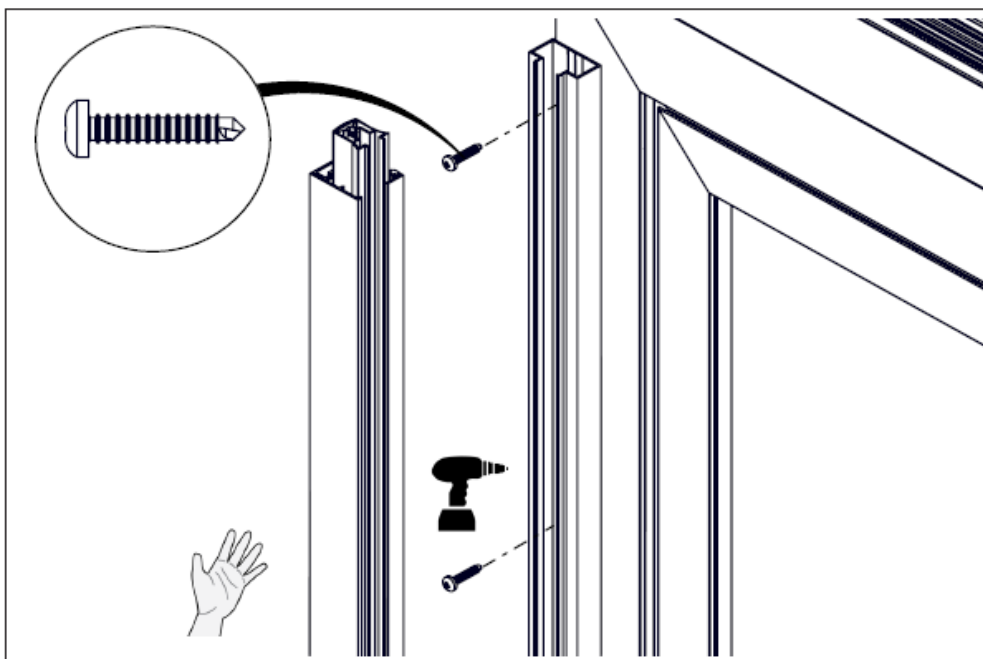


Please note that only the click (adjustment) profile should be screwed on to the window. The base is then fitted to the adjustment profile using a click connection.



Guide rail 1040 – click profile

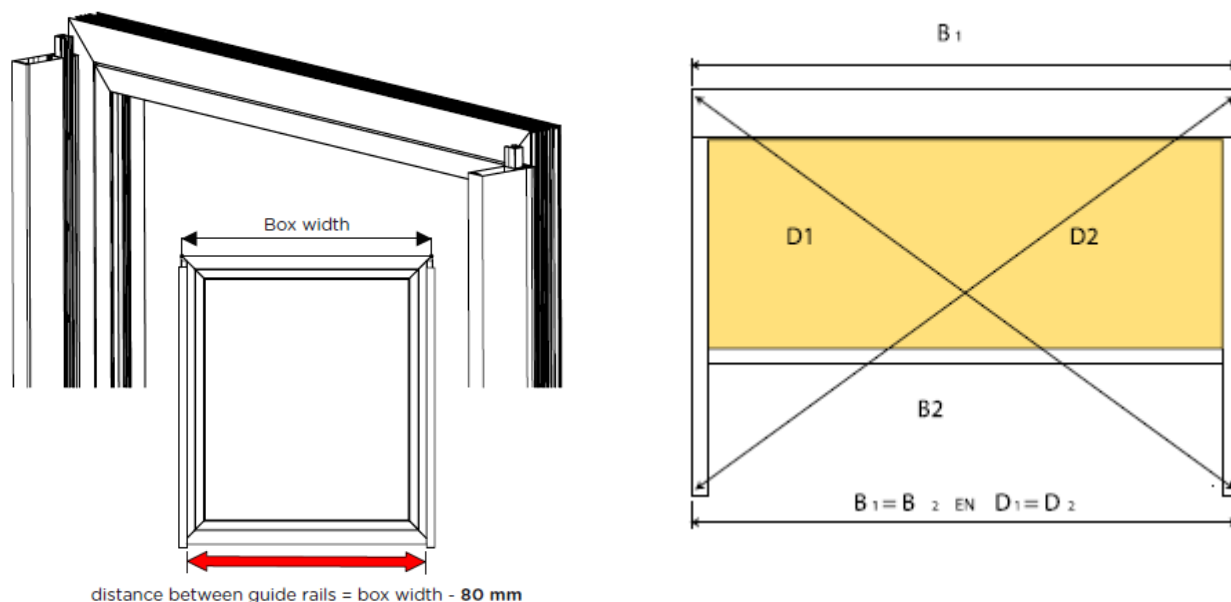
Use the same surface mounting of the guide rail on the window as for guide rail 1120. This guide rail is supplied with pre-assembled mounting. Clip the guide rail onto the adjustment profile (after it has been fixed to the window)!



ENSURE THAT THE NOTCH IN THE GUIDE RAIL IS ALWAYS AT THE TOP (against the box)!

4.4.3. STEP NR. 3

Follow the same procedure to install the other guide rail.



Make sure that the screens are always dead level and corrected in one way only.



installed perfectly square. This can be checked and

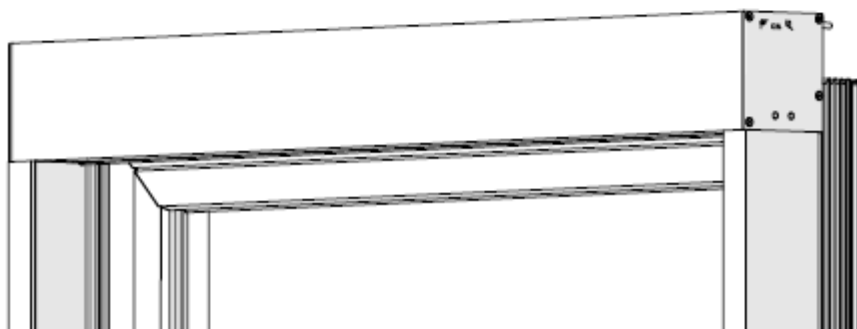
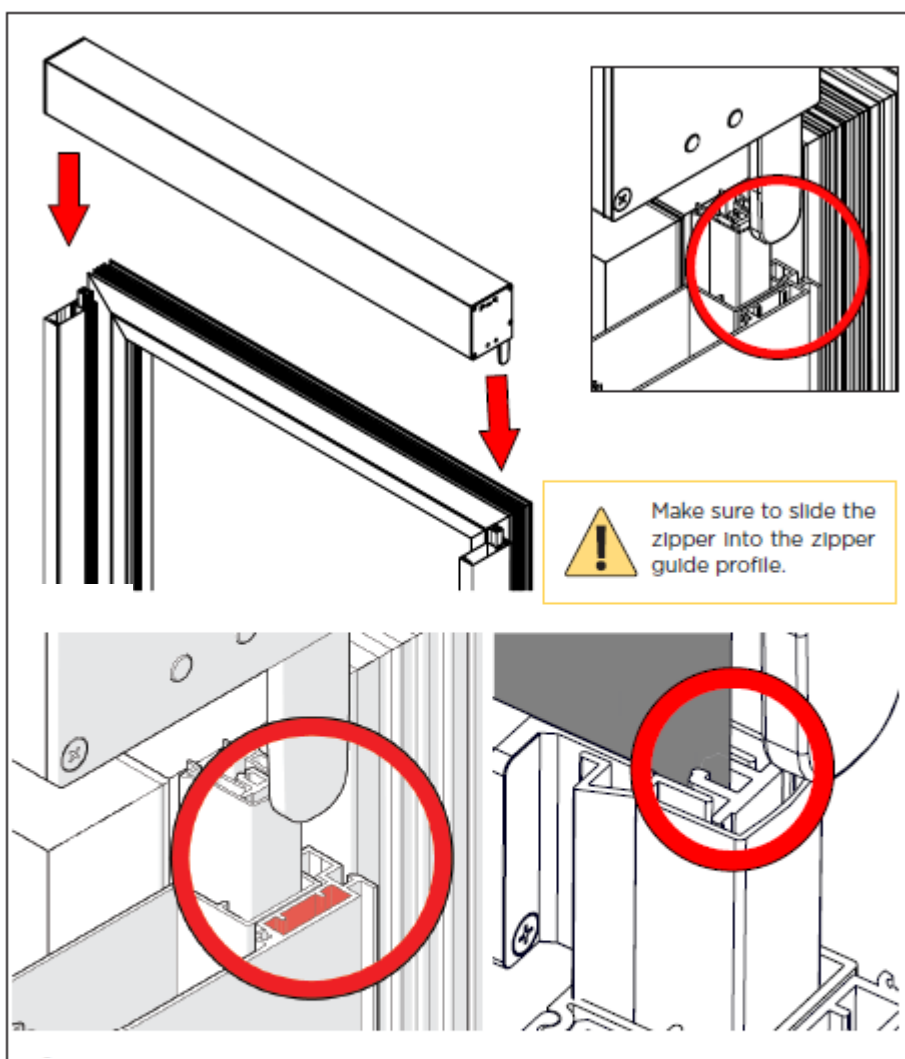
1. Check first whether the whole assembly is mounted dead level.
2. Check whether the guide rails run parallel and perpendicular to the box. Measure the distance between the guide rails exactly and to the millimetre. Begin directly under the box. Deviations of more than 2 mm can lead to hitches with the screen and/or bottom lath and the fabric may not hang sufficiently taut.
3. Next measure accurately across the diagonals, down to the exact millimetre.

If the box and the guide rails are not correctly fitted, then the bottom lath may roll up askew into the box and the screen cloth will have diagonal or crosswise creases.



4.4.4. STEP NR. 4

After both guide rails have been mounted on the window, lower the entire box on to the guide rails. Make sure the pins of the side console fit into the guide rail and that the zipper is positioned in the zipper guide.



4.5. CHECKING FOR SQUARENESS

Make sure that the screens are always dead level and installed perfectly square. This can be checked and corrected in one way only.

1. Check first whether the whole assembly is mounted dead level.
2. Check whether the guide rails run parallel and perpendicular to the box. Measure the distance between the guide rails exactly and to the millimetre. Begin directly under the box. Deviations of more than 2 mm can lead to hitches with the screen and/or bottom lath and the fabric may not hang sufficiently taut.
3. Next measure accurately across the diagonals, down to the exact millimetre.

If the box and guide rails are not correctly fitted, then the bottom lath may roll up askew into the box and the screen cloth will have diagonal or crosswise creases.

Once the screen has been accurately positioned and fitted, the potential small openings between guide rails and wall (box and wall) can be sealed with silicon mastic.

4.6. CHECKING THE ASSEMBLY

The assembly is checked by testing its functionality.

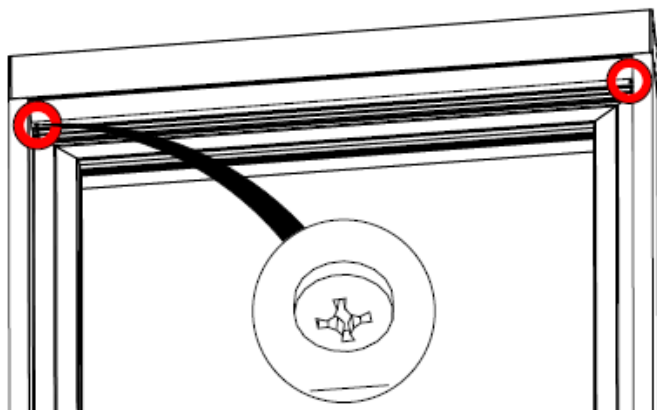
The fabric is lowered and rolled back up. This should happen without any hitches and there should be no pleatas. When let down again.

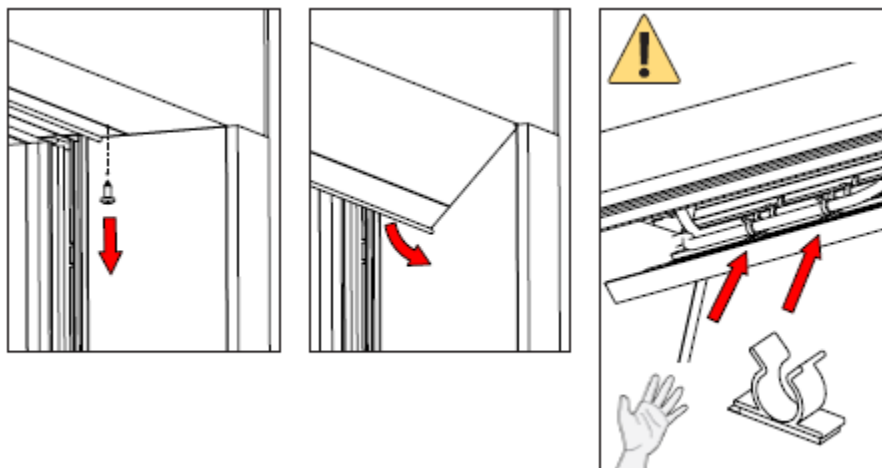
5. SERVICE – OPENING BOX

Roll up the fabric, so that the bottom lath is in its highest position – in the box.

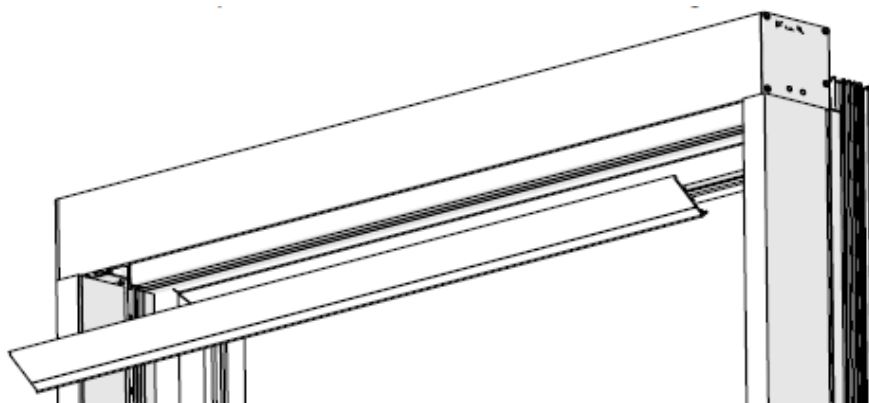
Remove the two screws that connect the base plate to the box.

ATTENTION! The cable is secured inside plastic clips.

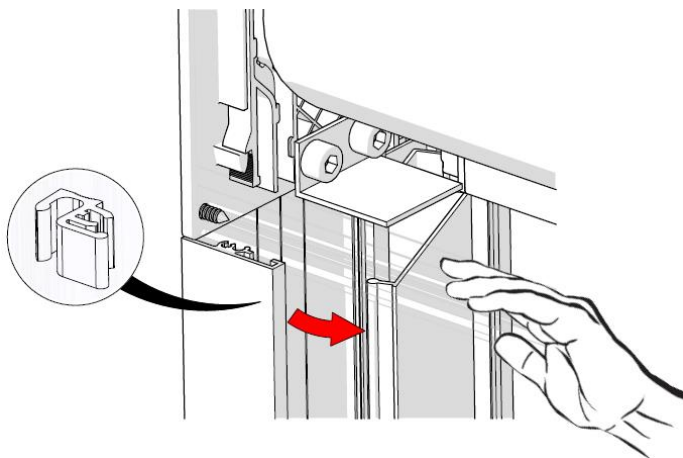




Remove the base plate. This is still connected to the box with a hinge.

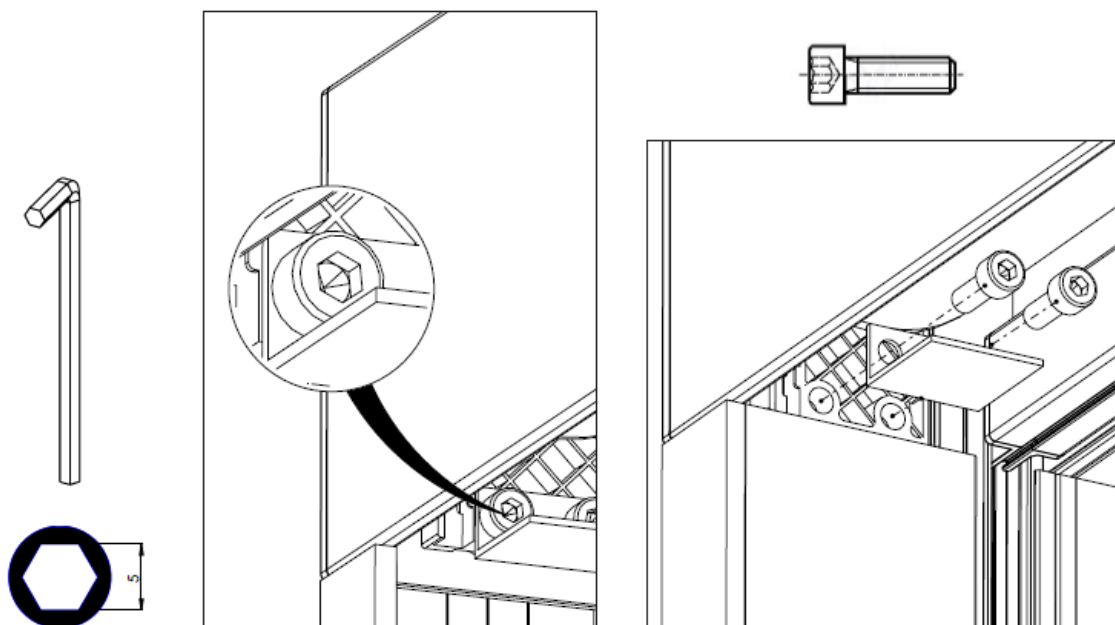


Remove the cover from the lateral guide. This is held in place by clips.



The slide module is held in place by two screws on each side of the box. Unscrew these and remove the stop plate.

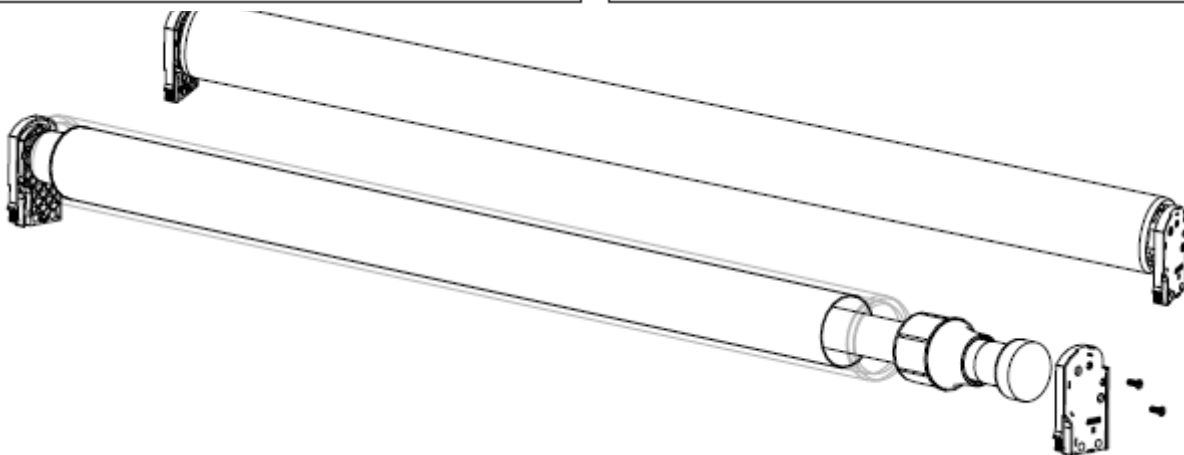
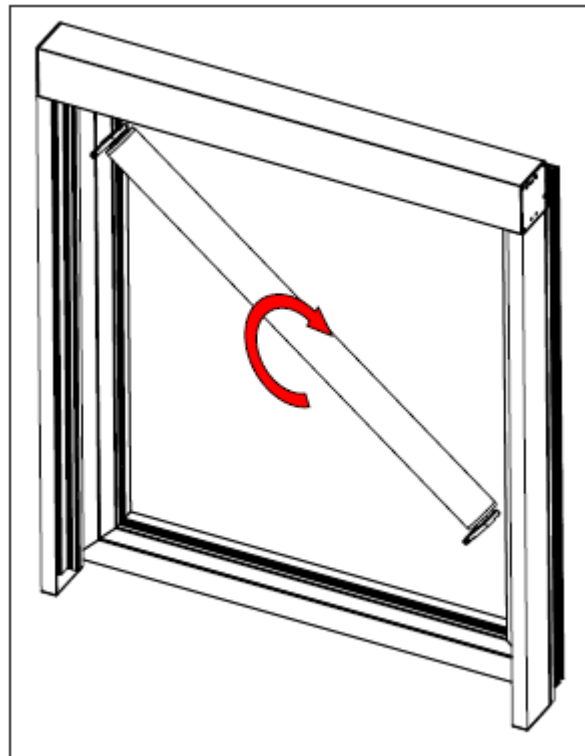
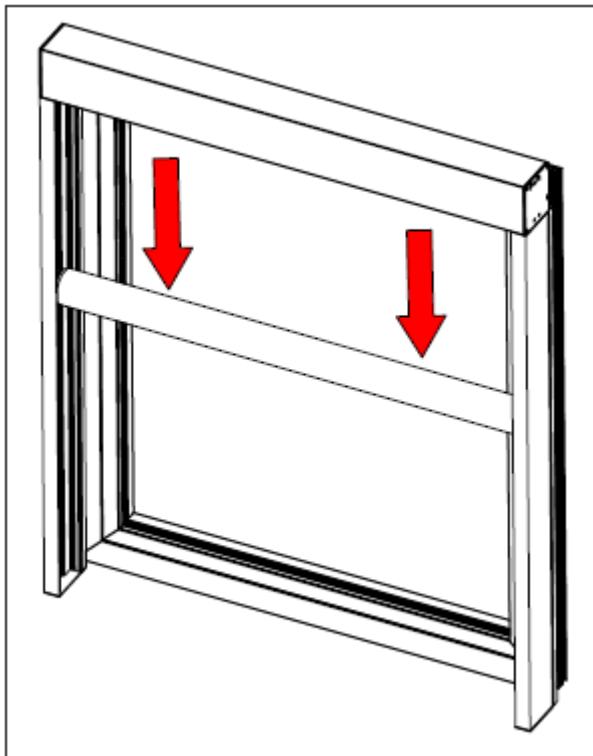
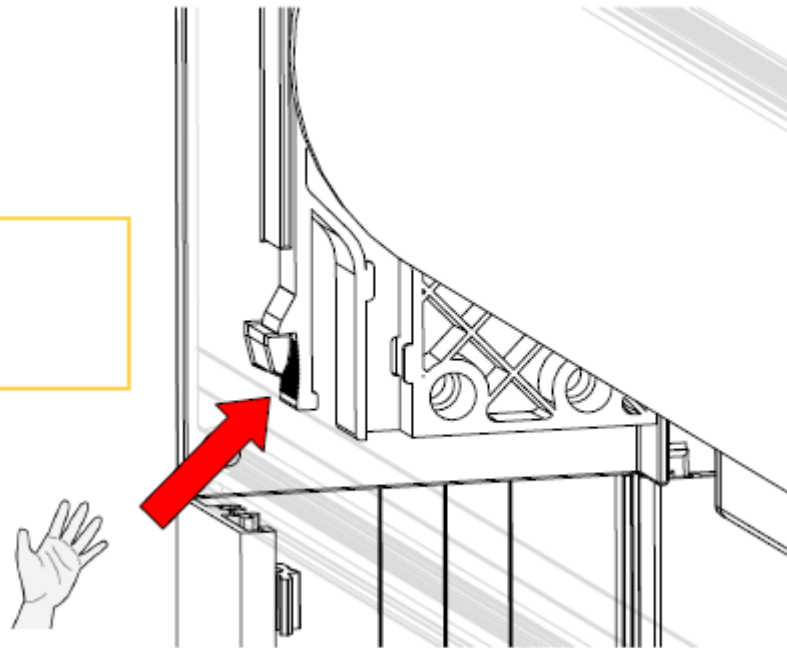
Unlock the slides and gradually lower the slide module.



Halfway down, make a rotating movement to release the slide module from the guide rails.



Safety !
Depress to unlock



6. ELECTRICAL CONNECTIONS

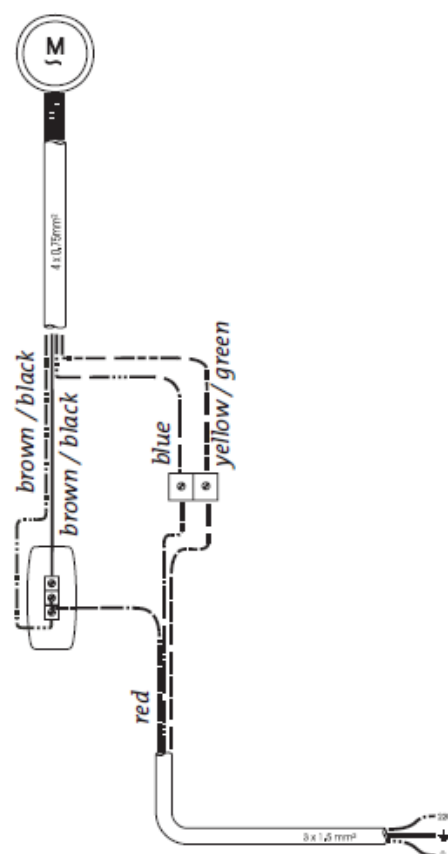
Note: The connections must be carried out by a registered installer (refer to guarantee card). Electrical installation and connection diagrams must be applied correctly, the electrical accessories employed must comply with the current standards and/or requirements.

6.1. CONNECTION DIAGRAM FOR A SINGLE POLE SWITCH

The motor has 4 wires. Yellow-green (earth), blue (neutral), brown and black (up and down control). There should be three wires available from the mains electricity circuit. Yellow-green (earth), blue (neutral) and phase. Connect the wires following the diagram. The phase wire of the mains is to be connected to terminal L.

If required, reverse the brown and black wires from the motor in the switch so that the arrows correspond to the up and down movement of the screen. The two earthing wires are interconnected by means of separate terminals. The arrangement for the two neutral wires is similar.

Connecting and installing the motor:



Validity of the manual: 1. 4. 2018



Feed the motor cable in a discreet manner into the control switch. Connect the motor cable and the power supply to the single pole switch. See above. Interchange the brown and black cable if necessary to follow the arrows on the switch. It is mandatory to use one or more relay boxes when two or more motors are connected to a single switch. Refer to diagram RI2 for making the connections.

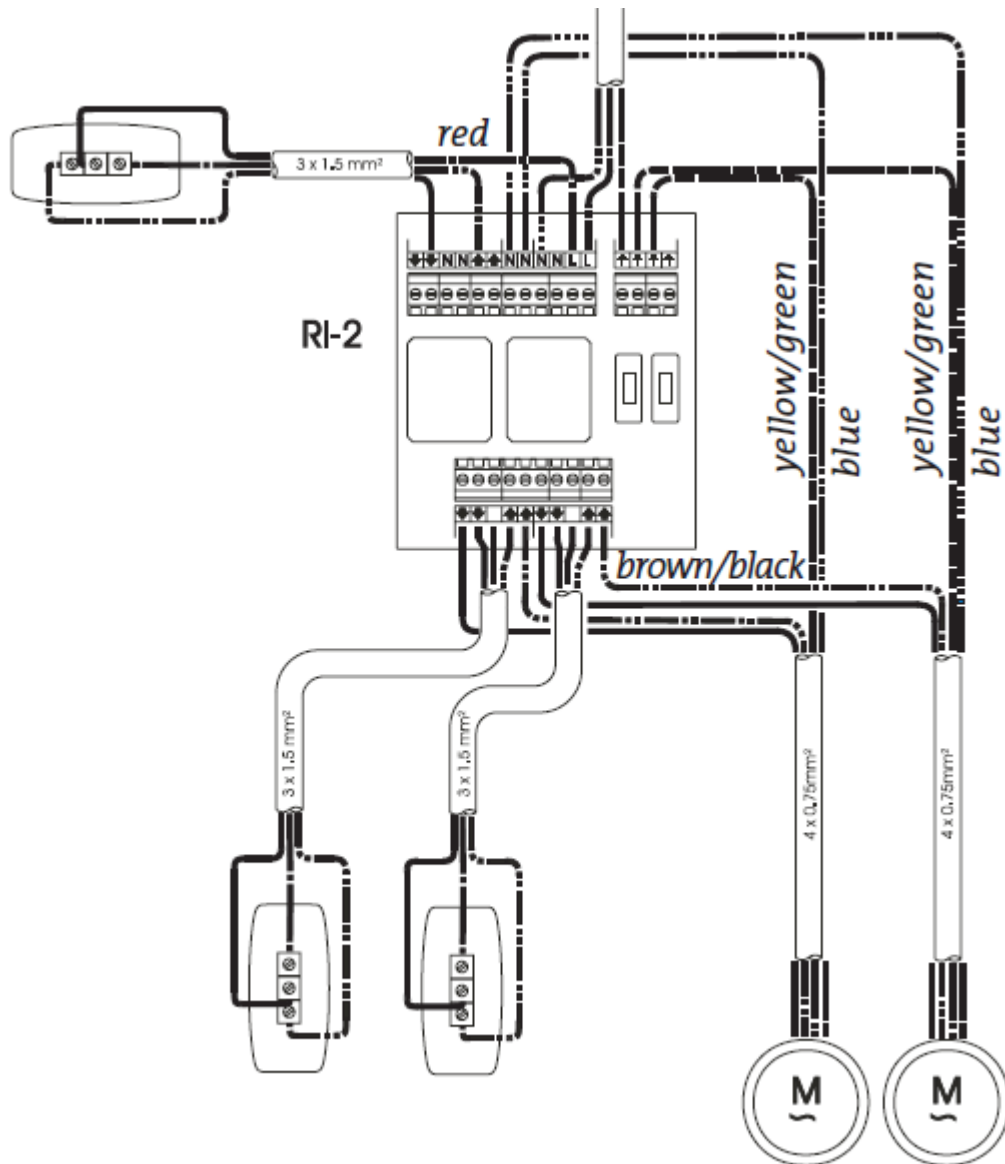
6.2. WHY USE AN RI2 REALY BOX?

If several LT or LS motors are operated using the same switch, you must always use a relay box. If relay boxes are not used, the integral limit switches will soon burn out due to the high inductive and capacitive voltages which are mutually generated.

A useful tip: Always use the rely boxes and switches supplied by us for single oepration of 2 or more motors. The same applies to an automatic wind/sun screen.

6.3. ADJUSTING THE MOTOR – LIMIT SWITCHES

Check the motor typ and consult the use instructions supplied for the relevant motor to adjust it.



7. TROUBLESHOOTING AND REPAIRS

7.1. THE SCREEN WILL NOT ROLL UP OR DOWN



The internal limit switch of the motor has not been activated in any direction. Press both setting buttons and proceed with the setting of the end positions.

Wire making poor contact when motor cable is extended. Check connections.

Motor has overheated and runs in thermal safety mode. Leave ½ hour to cool down.

Faulty adjustment of limit switches.

No current supplied to switch. Check with a voltage meter.

Motor is incorrectly connected. Check the connection diagram.

7.2. THE MOTOR HUMS

Check whether everything can turn freely in both directions. Is anything blocking the motor?

Capacitor in motor is broken (as a result of faulty connection to the motor).

Motor is incorrectly connected, check the correct connection of the motor cables to the switch using the diagram. A phase wire (brown or black) has been interchanged with the neutral wire (blue). The motor will run in one direction, but in the other direction it will just hum.

7.3. THE MOTOR DOES NOT STOP IN TIME

Faulty adjustment of limit switches.

7.4. BOTTOM LATH IS SLANTED AT THE TOP

The guide rails run parallel but not perpendicular to the box. First check whether the box is dead level, then measure along the diagonals and correct the installation.

7.5. BOTTOM LATH DROPS OUT OF LATERAL GUIDES

Check if the end stops are fitted at the bottom of the guide rails.

7.6. THE FABRIC TENSION IS TOO SLACK, THE BOTTOM LATH STICKS OR SHUDDERS WHEN THE SCREEN IS LOWERED OR RAISED

Check if the guide rails are aligned. The bottom lath fits snug inside the guide rails.

The zipper is not in the zipper guide profile.

The bottom lath is not suspended properly from the fabric but rests for instance on the window sill instead.

The fabric is not positioned correctly in the fabric guide profile.

Fabric is too wide.

Lower end switch of the motor is too low or too loosely set.

7.7. FOLDS AND WAVES IN THE FABRIC



Box and/or guide rail are not level. Position box and guide rails level.

7.8. THE DIRECTION OF THE MOTOR'S ROTATION DOES NOT MATCH THE ARROWS ON THE SWITCH

Swap the brown and black cable in the switch.

7.9. THE FABRIC DOES NOT STOP AND ROLL UP AGAIN

Use a relay box RI2.

7.10. AUTOMATIC CONTROL DOES NOT OPERATE PROPERLY

See installation instructions: automatic wind and sun screens.

7.11. THE BOTTOM LATH STICKS OR SHUDDERS WHEN THE SCREEN IS LOWERED OR RAISED

Check whether the whole assembly is dead level.

Check the diagonals of the guide rails.

Check the distances between the guide rails for regular height distances.

The guide rails are mounted in the shape of a tube. Check and correct using a plumb line.

7.12. DISMANTLING

The screen must only be dismantled by qualified staff.

Make sure the power is off before dismantling the box.

Ensure there is adequate lighting when carrying out the work.

When dismantling the screen, adhere to the regulations for waste disposal in the country of use.